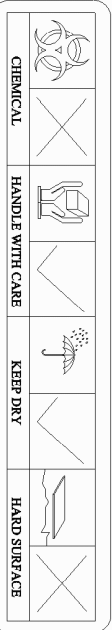
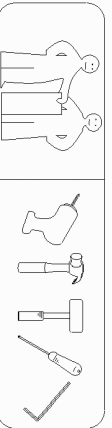
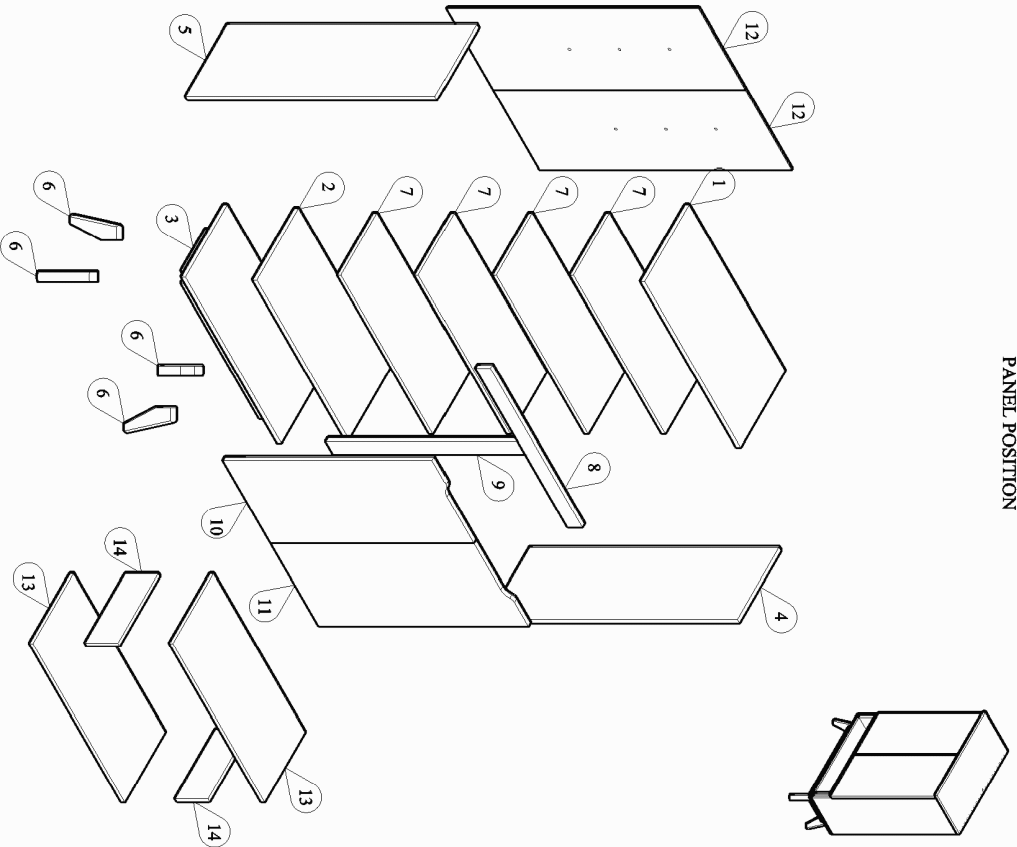


# MODEL : FL SC 00813-US

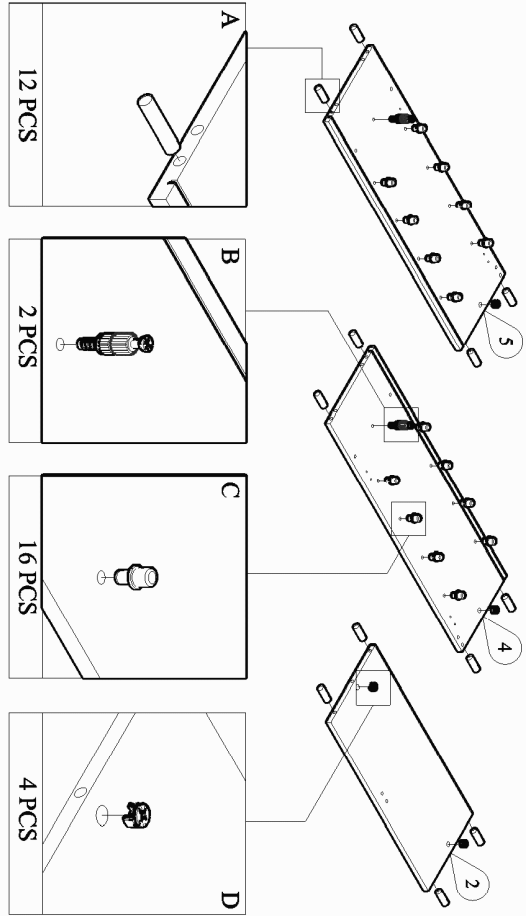
PANEL POSITION



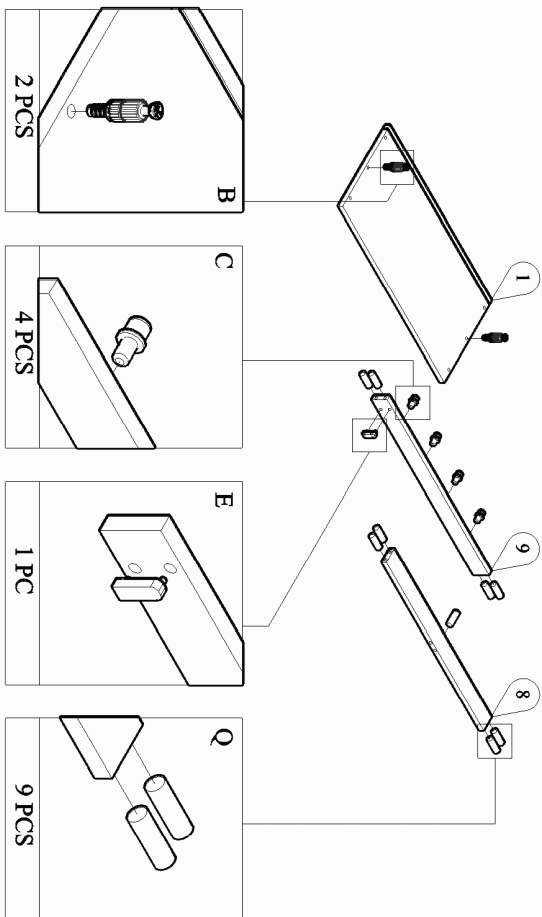
	ACCESSORIES	QUANTITY
A	WOOD DOWEL M8 x 30	12 PCS
B	MINIFIX M5 x 24	4 PCS
C	IRON SHELF SUPPORT	20 PCS
D	CASING	4 PCS
E	INSERT SUPPORT	1 PC
F	CAPWOOD M6 x 50	4 PCS
G	WHITE PIN LEG	4 PCS
H	PVC "H" RAIL	1 PC
I	STUB SCREW M3 x 20 (SV)	4 PCS 4 PCS
J	L-BRACKET	1 PC
K	SCREW M3.5 x 16	1 PC
L	WALL PLUG	1 PC
M	SCREW M4 x 28	1 PC
N	SCREW M7 x 50	8 PCS
O	DOOR HINGES 5/8" SCREW M35 x 16	4 PCS 24 PCS
P	ALLEN KEY	1 PC
Q	WOOD DOWEL M6 x 30	17 PCS

START ASSEMBLY

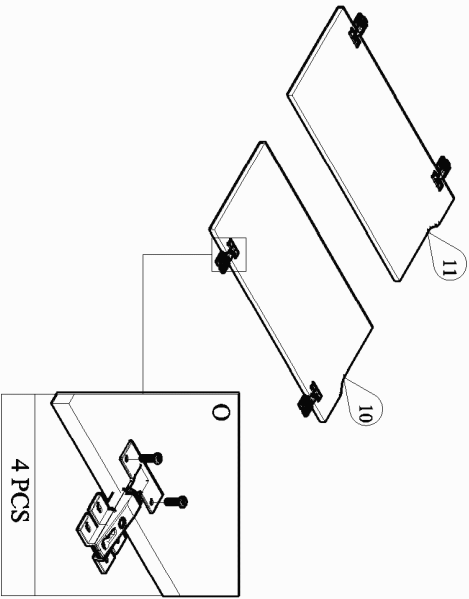
STEP 1



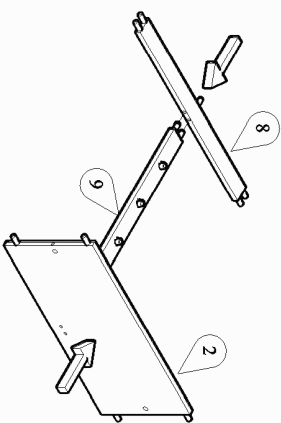
STEP 2



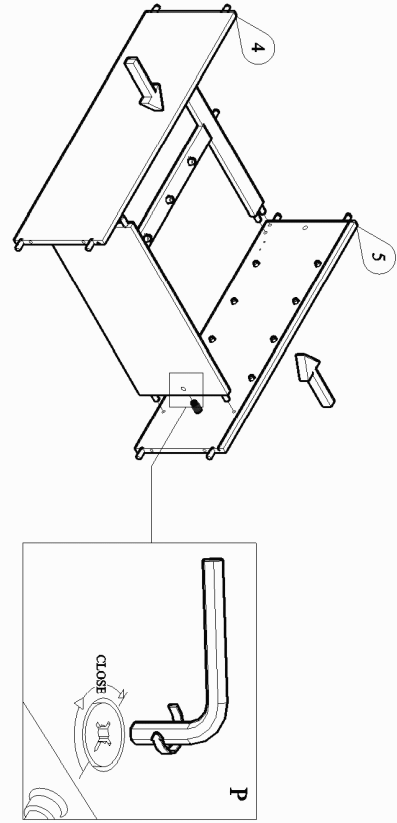
STEP 3



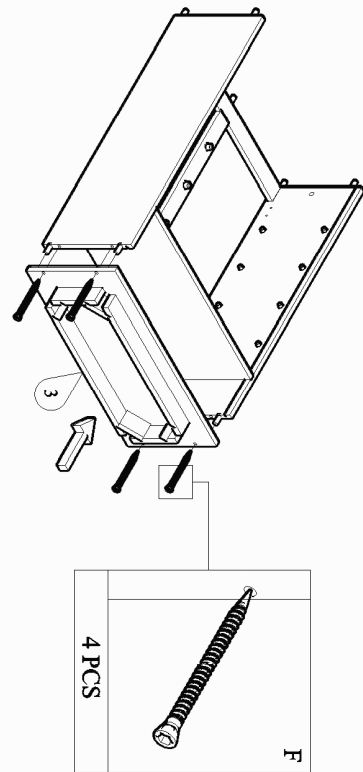
STEP 4



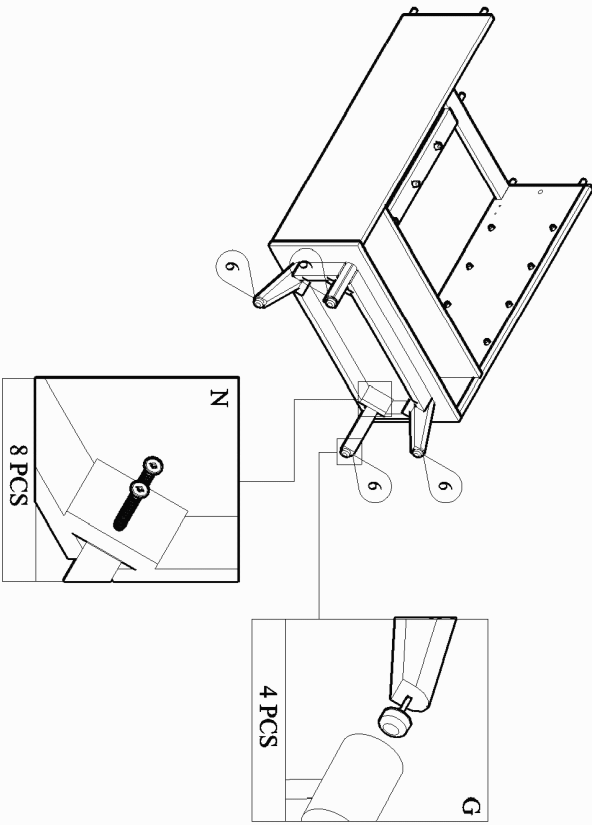
STEP 5



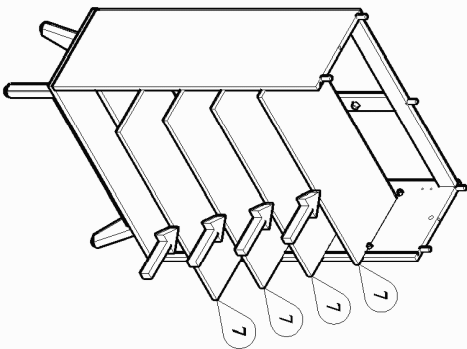
STEP 6



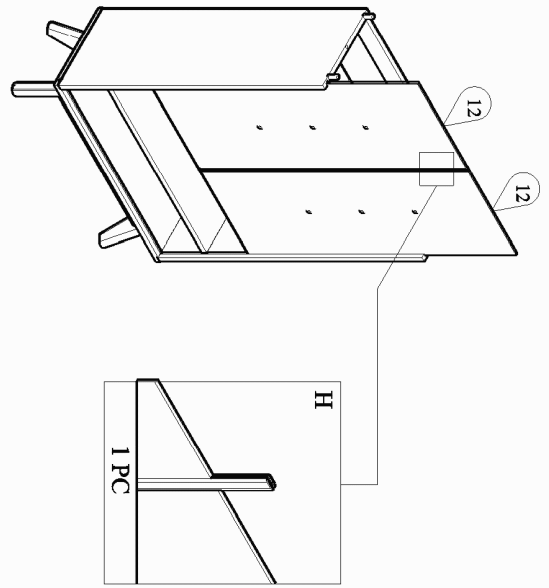
STEP 7



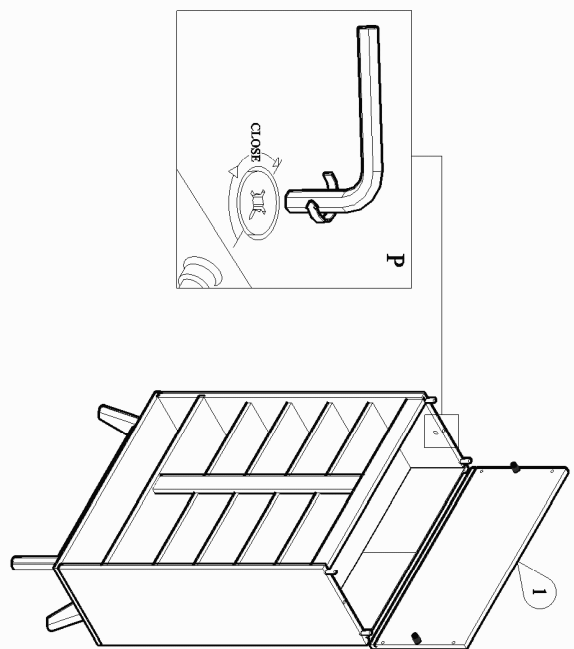
STEP 8



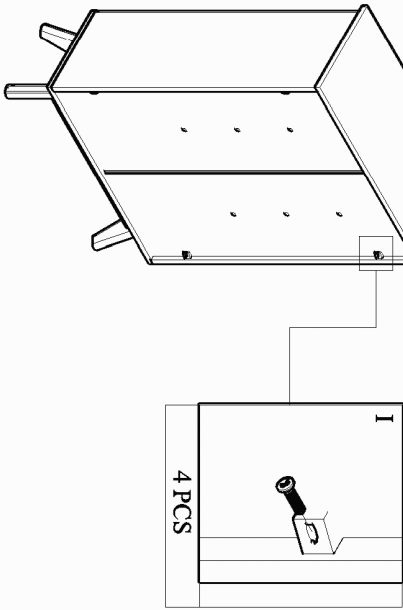
STEP 9



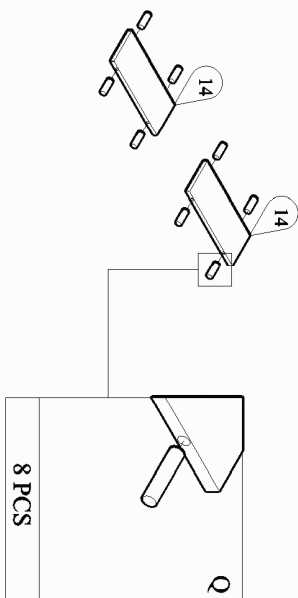
STEP 10



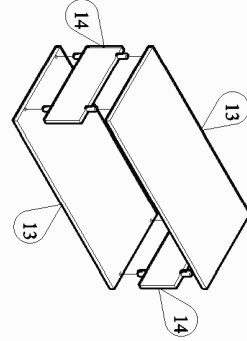
STEP 11



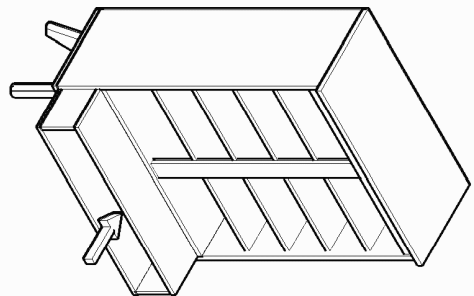
STEP 12



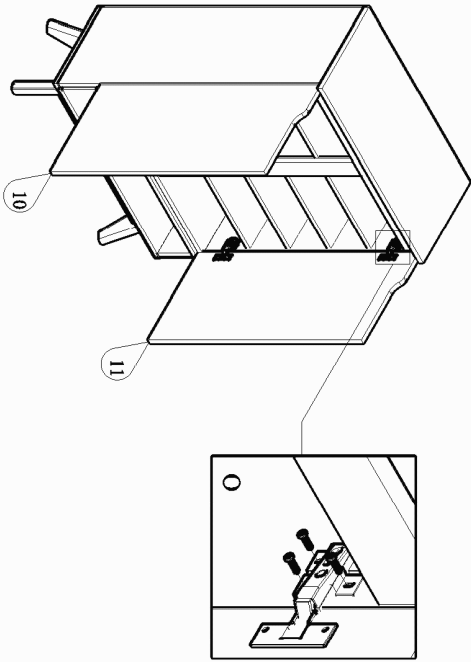
STEP 13



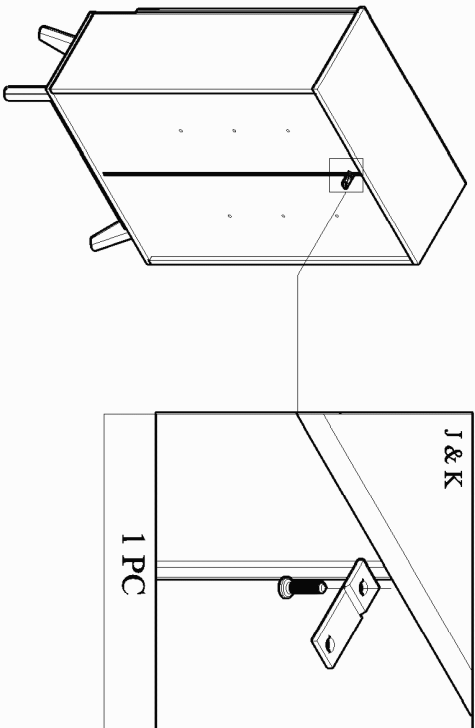
STEP 14



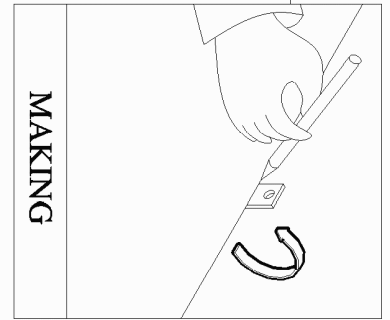
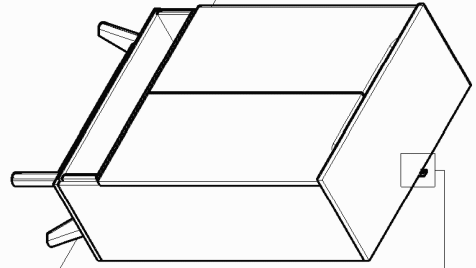
STEP 15



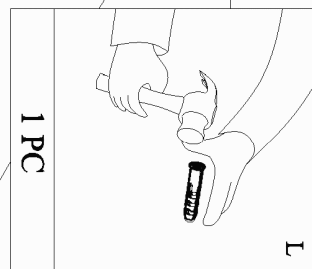
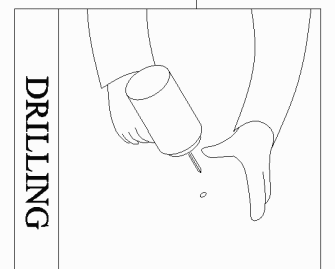
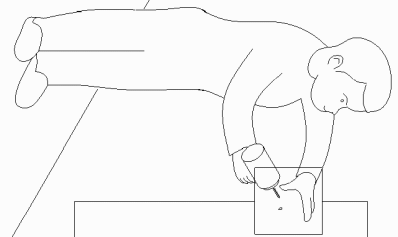
STEP 16



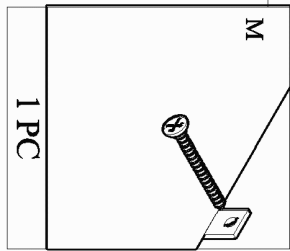
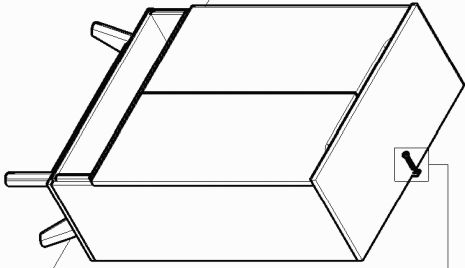
STEP 17



STEP 18



STEP 19



COMPLETED

