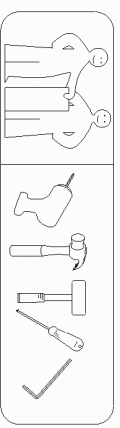
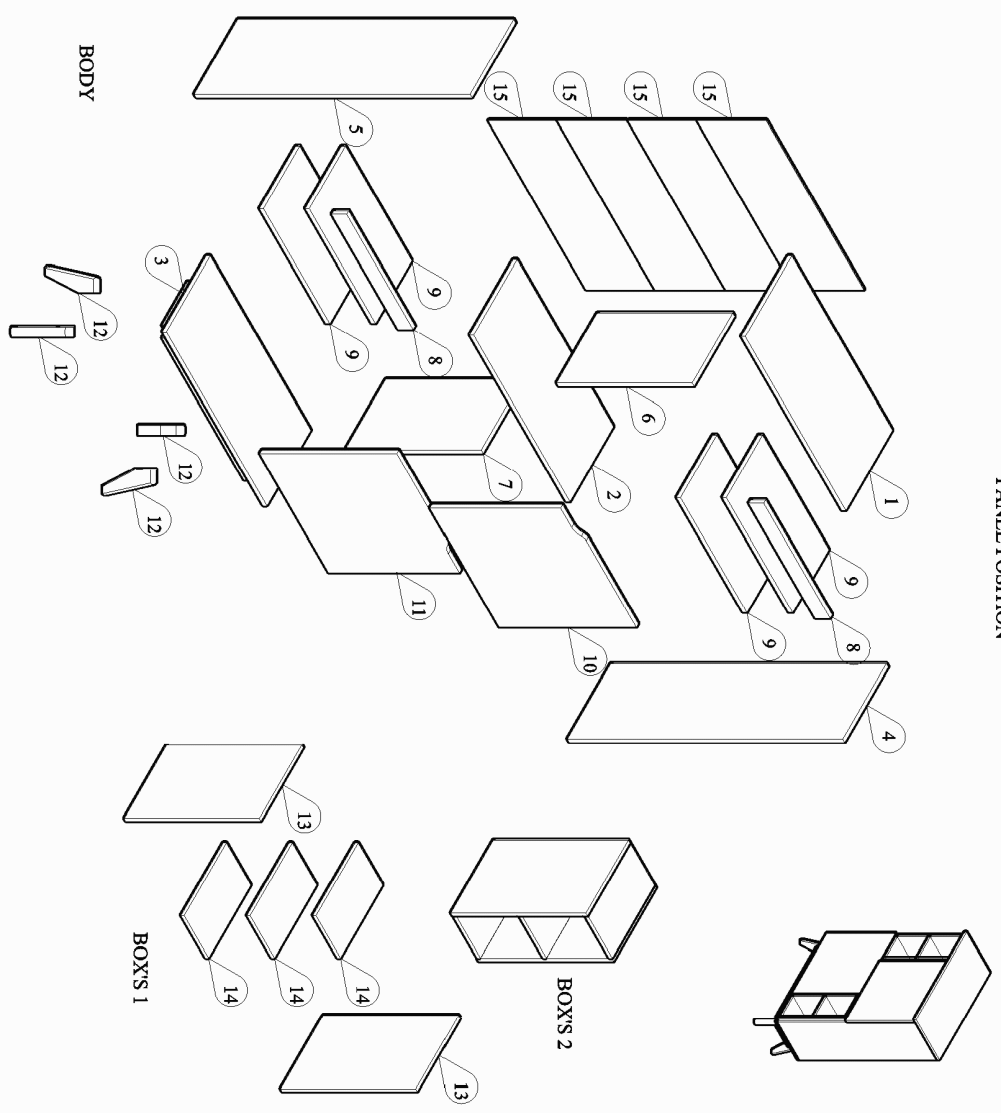


MODEL = FL SC 00812-US

PANEL POSITION

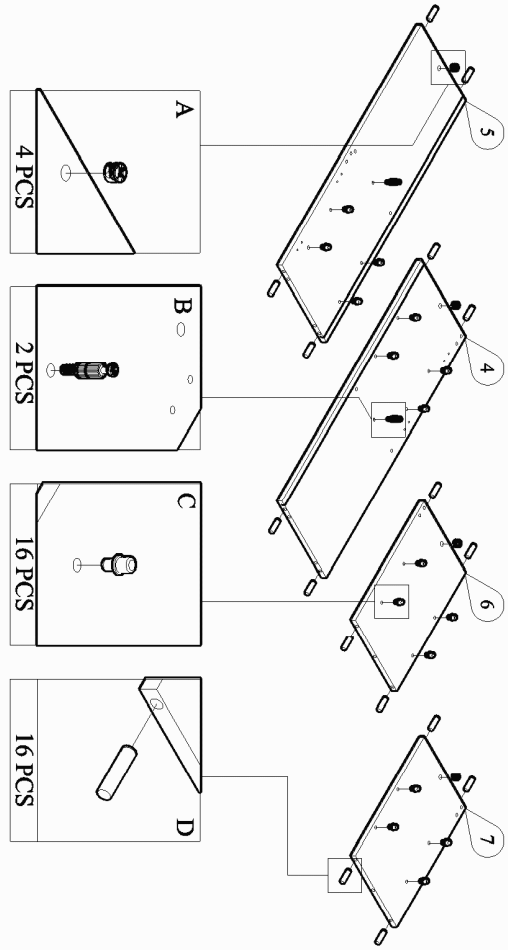


CHEMICAL	HANDLE WITH CARE	KEEP DRY	HARD SURFACE

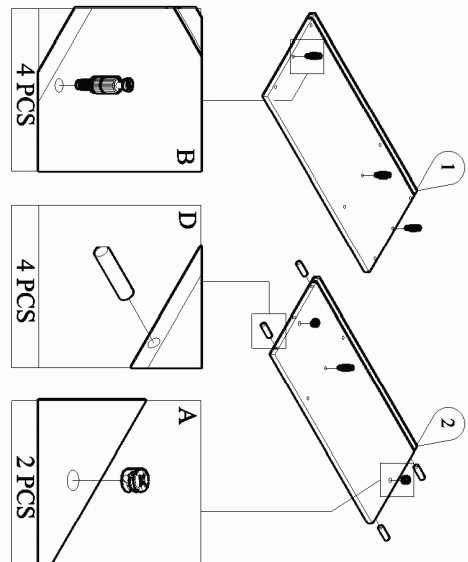
	ACCESSORIES	QUANTITY
A	CASING	6 PCS
B	MINIFIX M5 x 24	6 PCS
C	IRON SHELF PANEL	16 PCS
D	WOOD DOWEL M8x30	20 PCS
E	DOOR HINGES 5/8" SCREW M3.5 x 16	4 SET 24 PCS
F	WOOD DOWEL M6x30	32 PCS
G	CAPWOOD M6 x 50	6 PCS
H	PVC 'H' RAIL	2 PCS
I	WHITE PIN LEG	4 PCS
J	SCREW M7 x 50	8 PCS
K	STUB SCREW M3 x 20 (SV)	4 PCS 4 PCS
L	L BRACKET	1 PC
M	SCREW M3.5 x 16	1 PC
N	WALL PLUG	1 PC
O	SCREW M4 x 28	1 PC
P	ALLEN KEY	1 PC

START ASSEMBLY

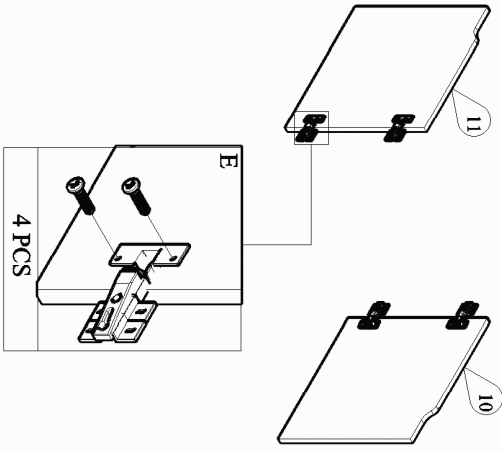
STEP 1



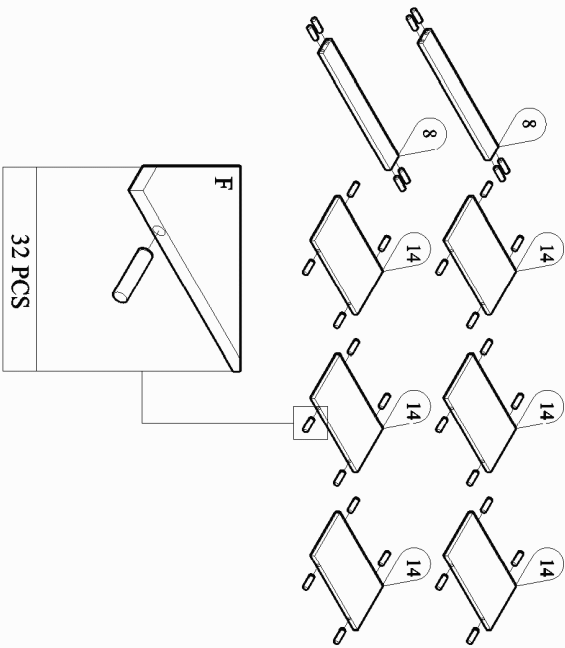
STEP 2



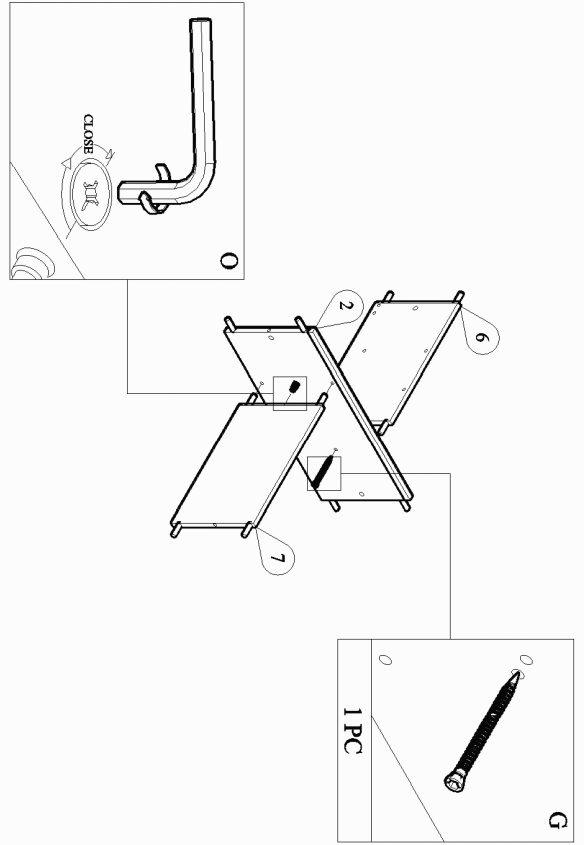
STEP 3



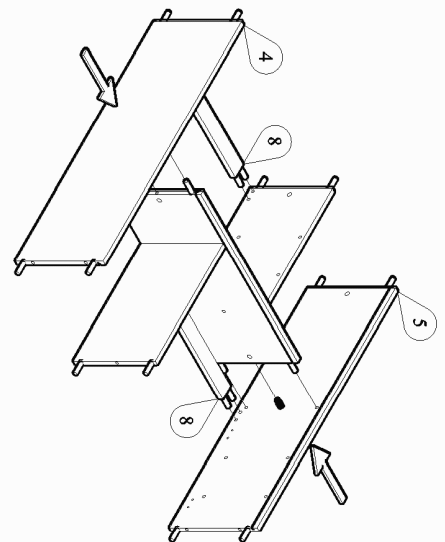
STEP 4



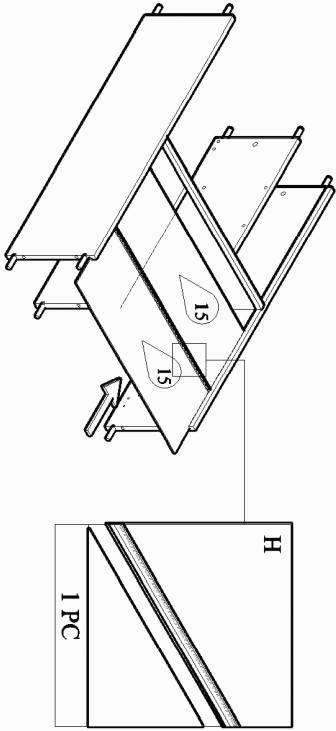
STEP 5



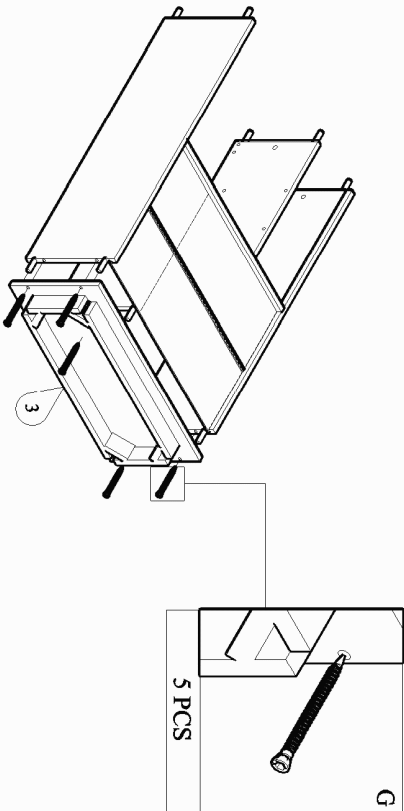
STEP 6



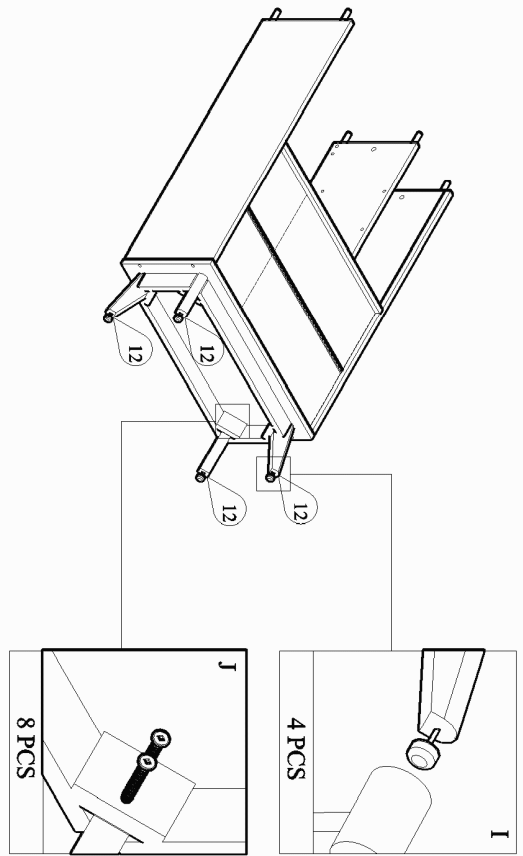
STEP 7



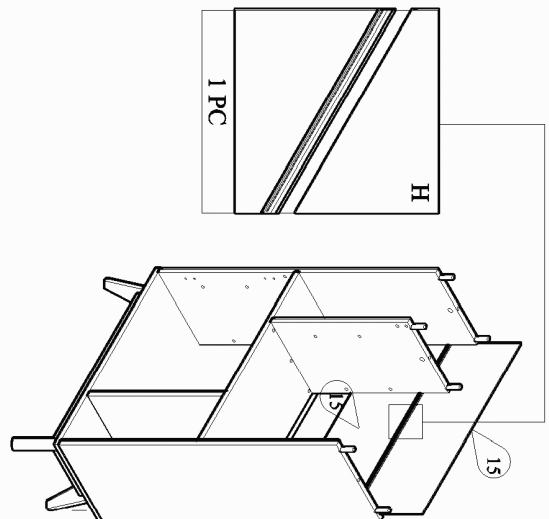
STEP 8



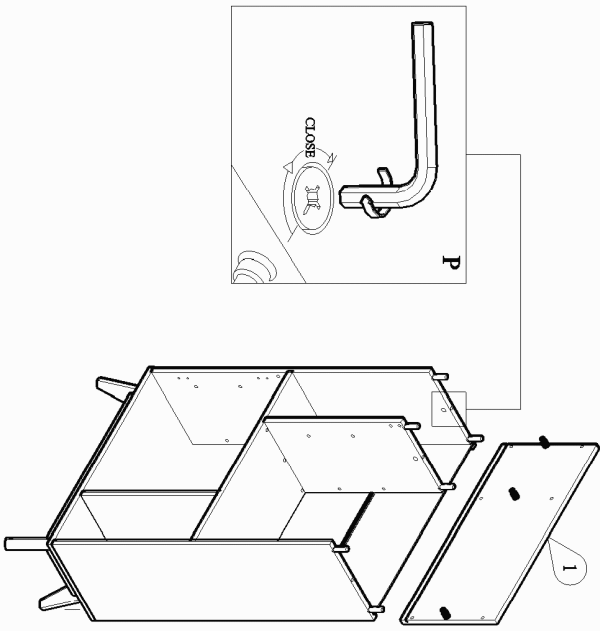
STEP 9



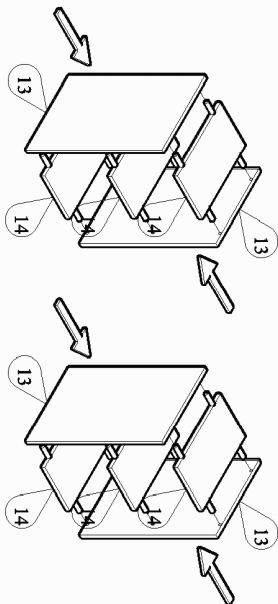
STEP 10



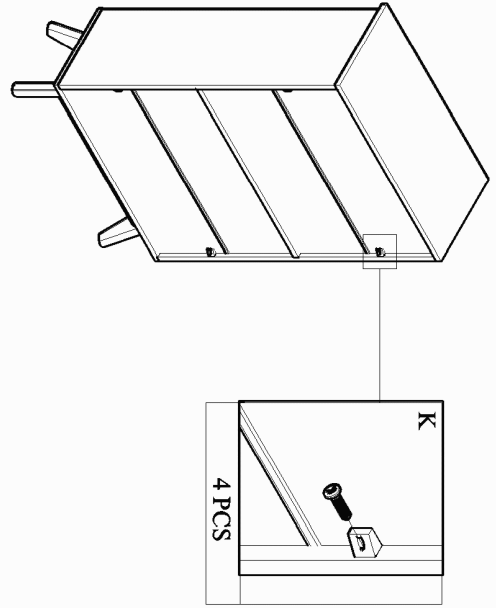
STEP 11



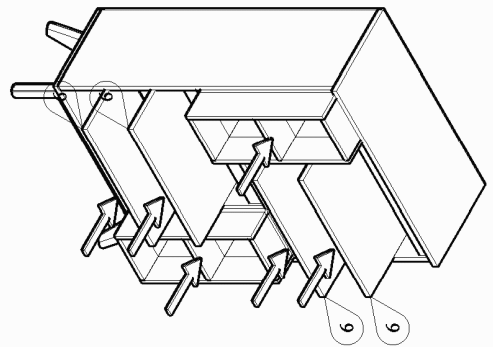
STEP 12



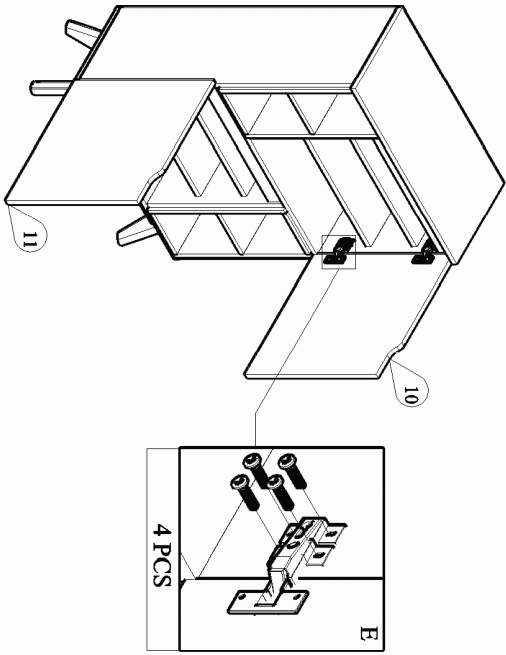
STEP 13



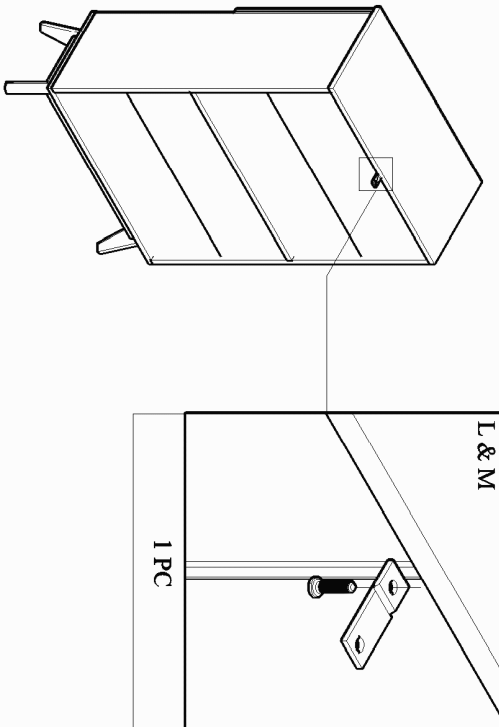
STEP 14



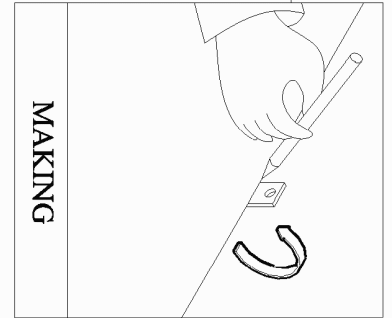
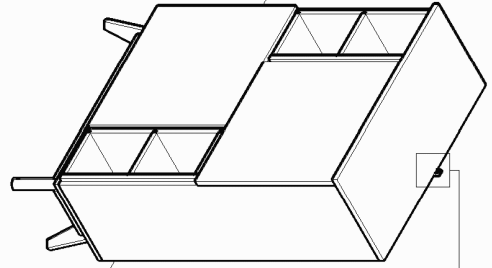
STEP 15



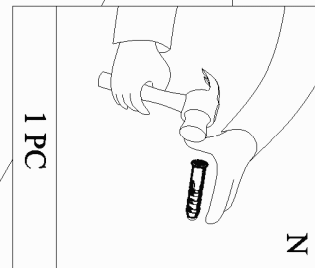
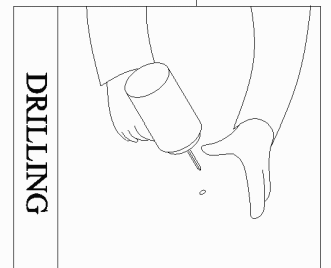
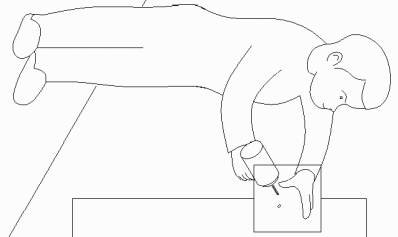
STEP 16



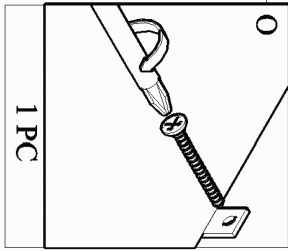
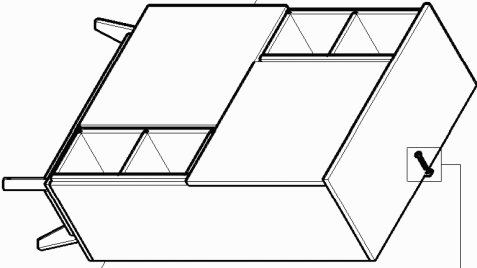
STEP 17



STEP 18



STEP 19



COMPLETED

