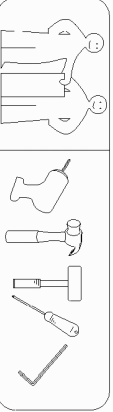
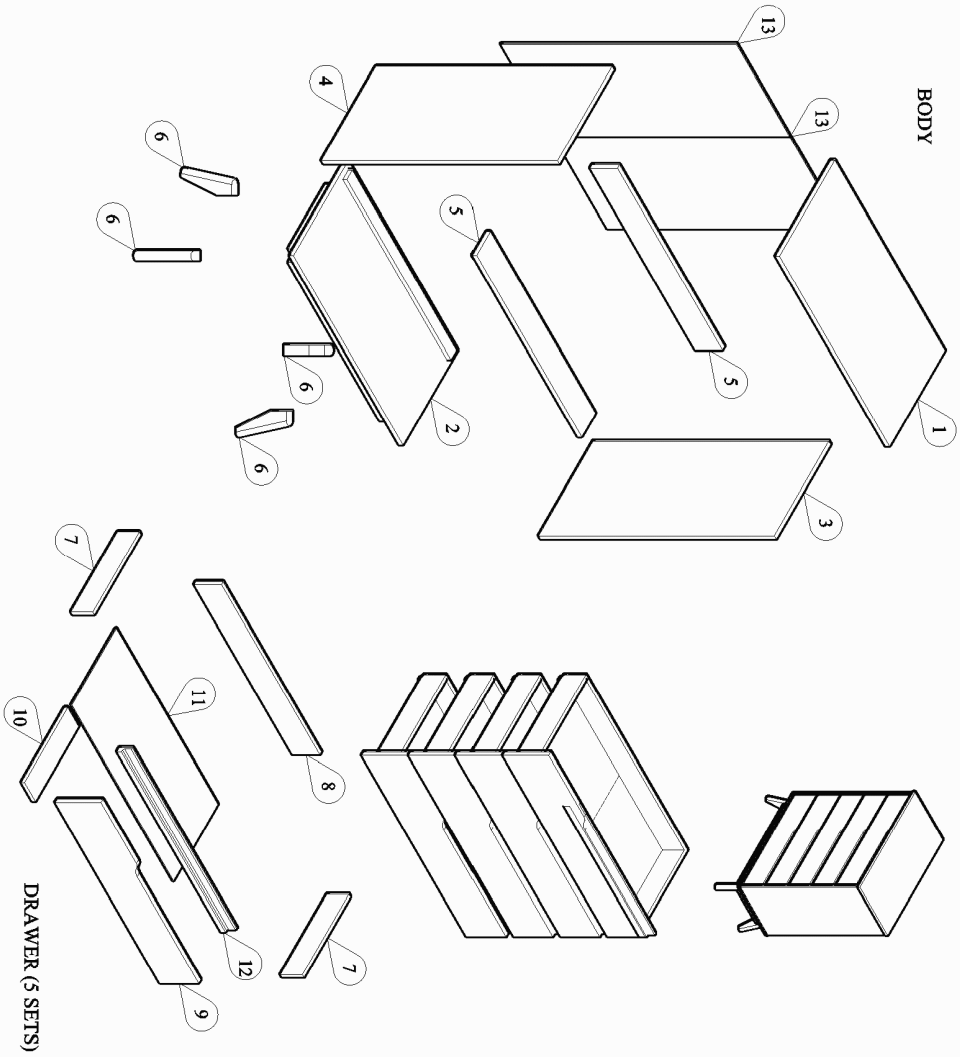


MODEL : FL COD 00806-US

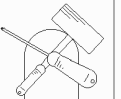
PANEL POSITION



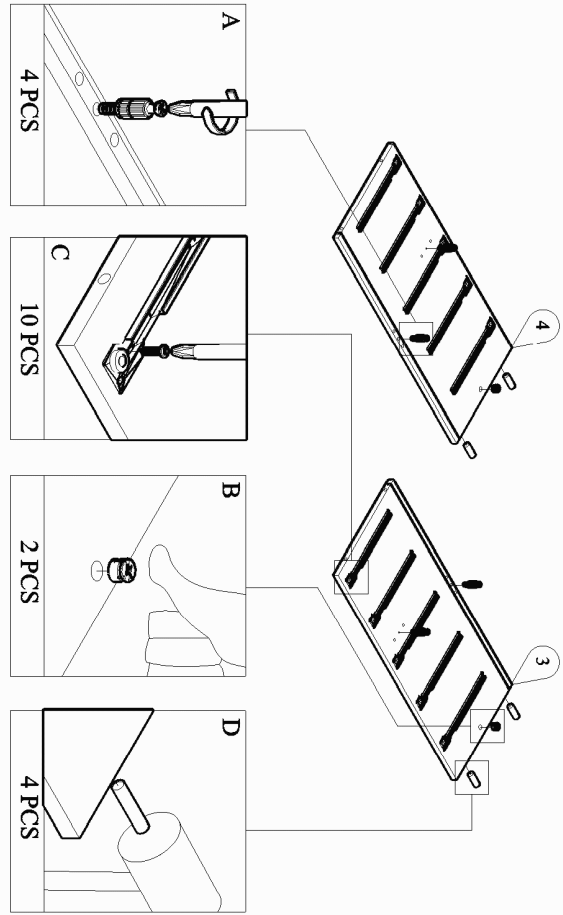
CHEMICAL	HANDLE WITH CARE	KEEP DRY	HARD SURFACE

	ACCESSORIES	QUANTITY
A	MINIFIX M5 x 24	6 PCS
B	MINIFIX CASING	6 PCS
C	DRAWER SLIDE 14" SCREW M3.5 x 12	5 SETS 60 PCS
D	WOOD DOWEL M8 x 30	12 PCS
E	WOOD DOWEL M6 x 30	20 PCS
F	CARWOOD M6 x 50	4 PCS
G	WHITE PIN LEG	4 PCS
H	SCREW M7 x 50	8 PCS
I	PVC "H" RAIL	1 PC
J	SCREW M4 x 30	15 PCS
K	SCREW M4 x 38	40 PCS
L	L-BRACKET	1 PC
M	SCREW M3.5 x 16	13 PCS
N	WALL PLUG	1 PC
O	SCREW M4 x 28	1 PC
P	ALLEN KEY	1 PC

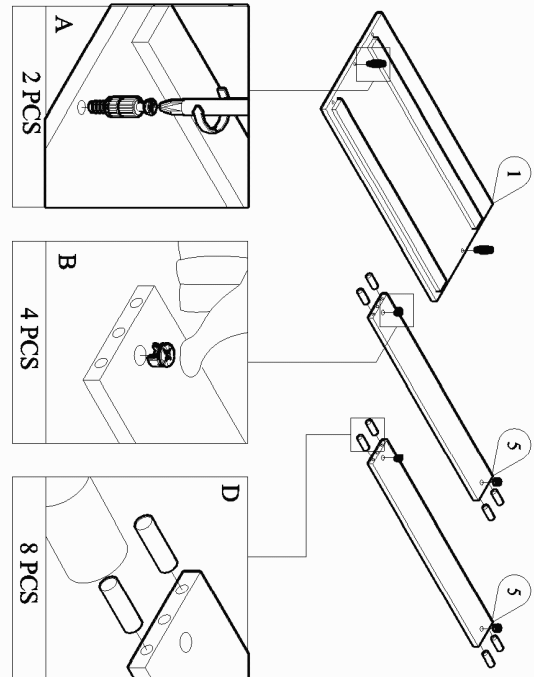
START ASSEMBLY



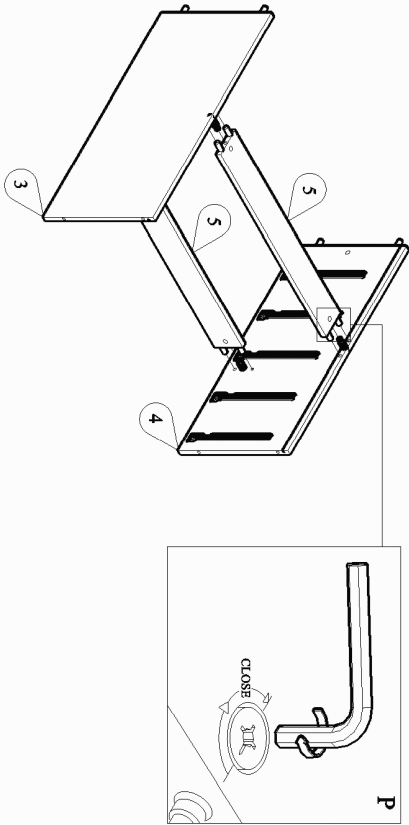
STEP 1



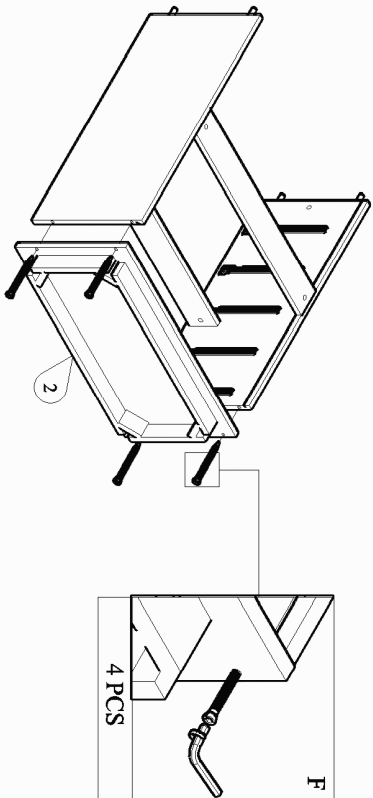
STEP 2



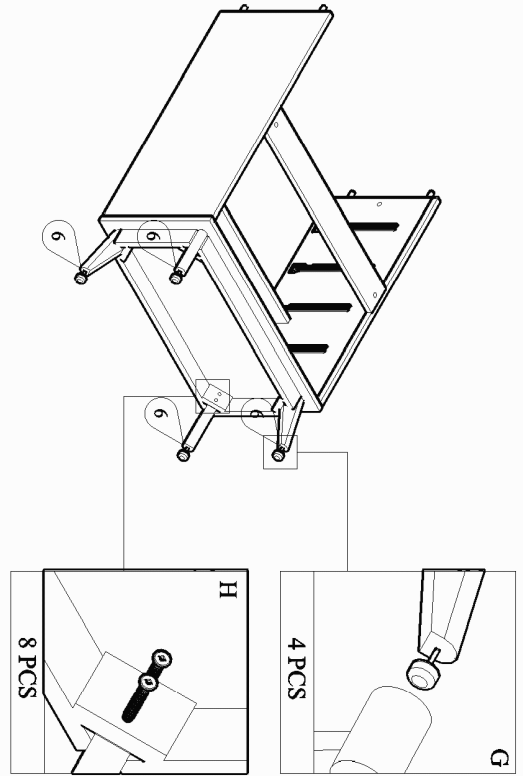
STEP 3



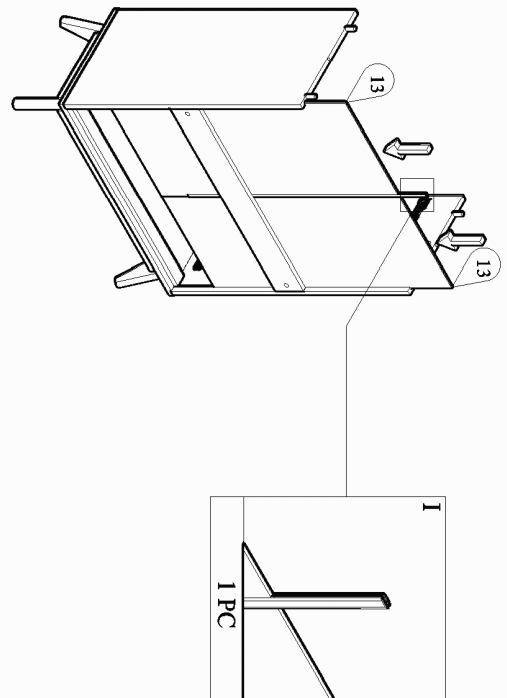
STEP 4



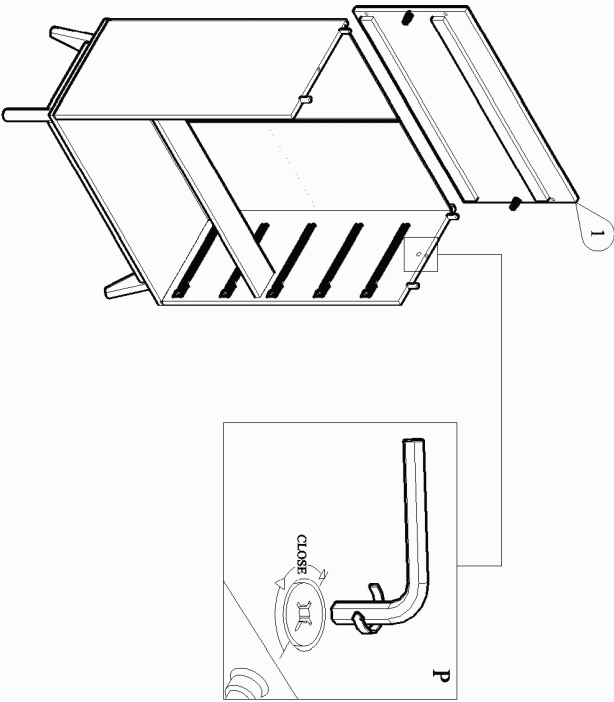
STEP 5



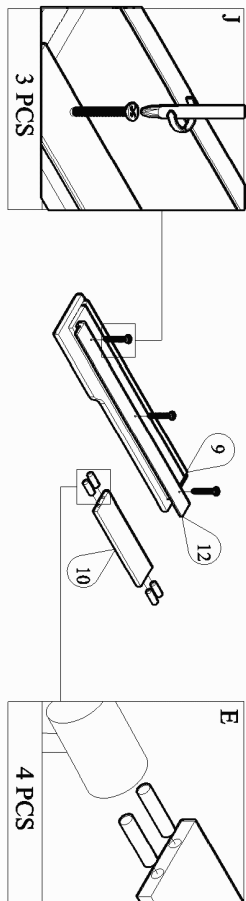
STEP 6



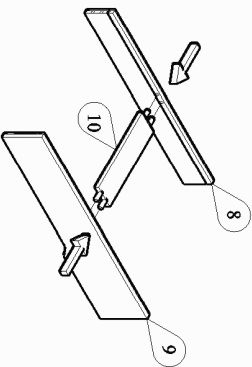
STEP 7



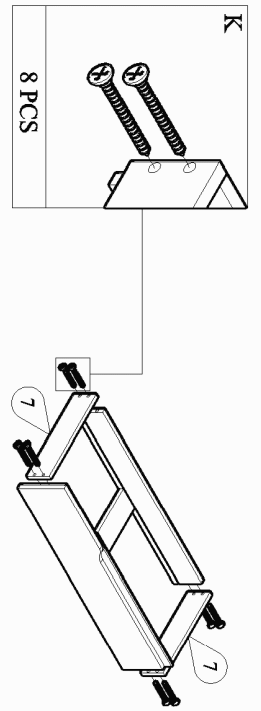
STEP 8



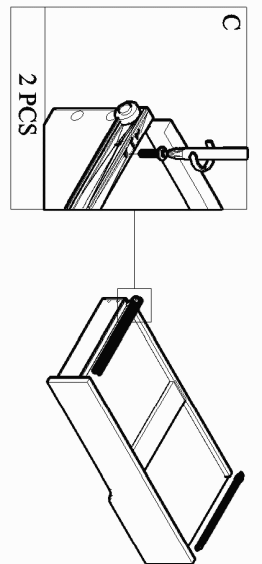
STEP 9



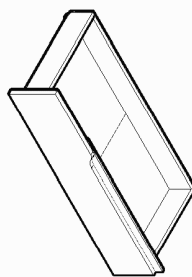
STEP 10



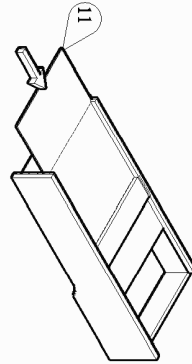
STEP 12



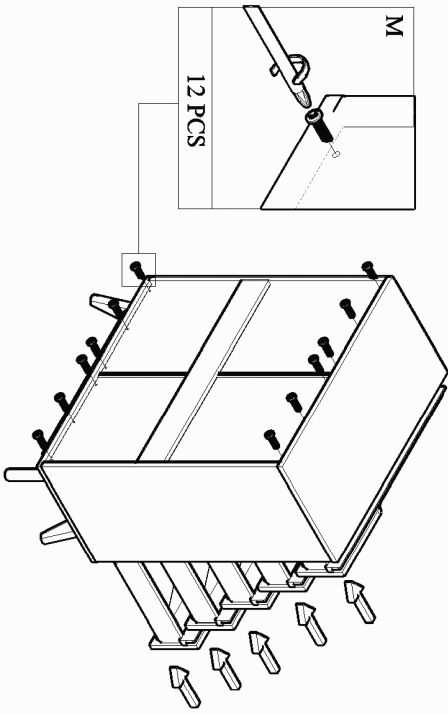
COMPLETED DRAWER (5 SETS)



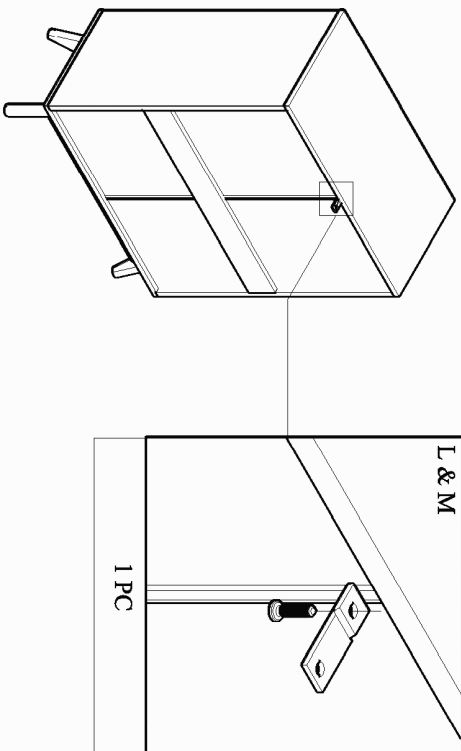
STEP 11



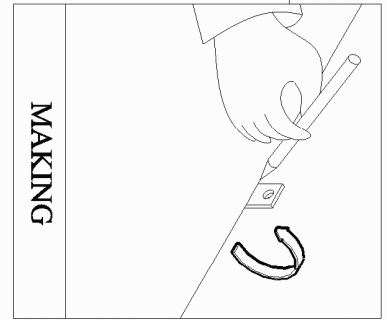
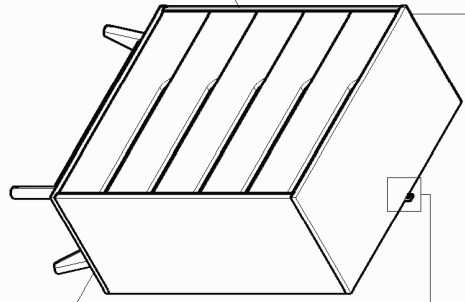
STEP 13



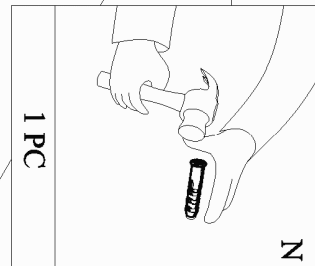
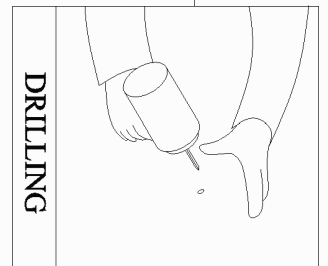
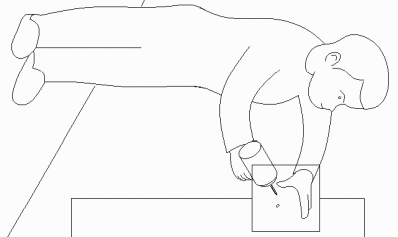
STEP 14



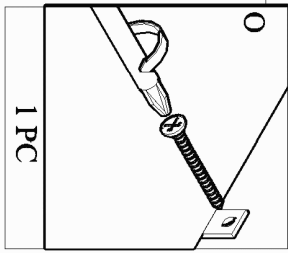
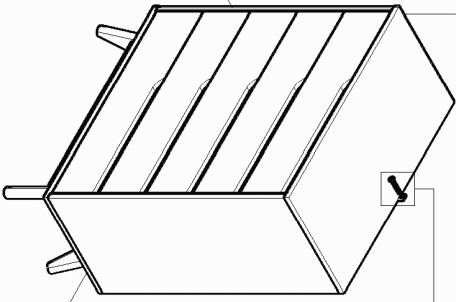
STEP 15



STEP 16



STEP 17



COMPLETED

