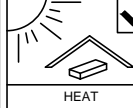




SOFT, DRY CLOTH



CHEMICAL



HEAT



KEEP DRY



HANDLE WITH CARE



DO NOT USE KNIFE

ASSEMBLY INSTRUCTION

MODEL : FC 940012

DESC : FILLING CABINET

HARDWARE

A

WOOD DOWEL
8 X 25
14

B

B1 B2
MINIFIX 5654+5546
6

C

MINIFIX CAP
6

D

L KEY
1

E

16MM
CB SCREW
M3.5X16MM
48

F

38MM
CB SCREW
M4X38MM
40

G

70MM
CSK CAP WOOD
M6X70MM
8

H

PVC NAIL WITH PIN
5/8
4

I

NAIL 5/8
64

J

SHELF SUPPORT
12

K

K1 K2
DRAWER SLIDE 14"
4

PART LIST

8 x3
9 x4
10 x4
11
12
13

1
2
3
4
5
6
7

STEP 1

1
2
3
4

STEP 2

1
2
3
4

STEP 3

1
2
3
4

STEP 4

10
11
12
13

x4

STEP 5

10
11
12
13

x4

STEP 6

10
11
12
13

x4

STEP 7

10
11
12
13

x4

STEP 8

1
2
3
4

STEP 9

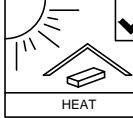
1
2
3
4



SOFT, DRY CLOTH



CHEMICAL



HEAT



KEEP DRY



HANDLE WITH CARE



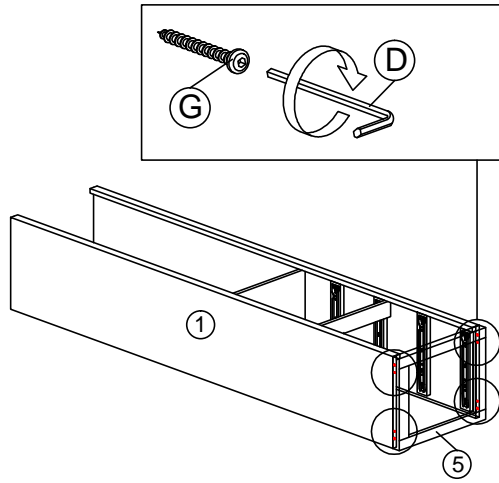
DO NOT USE KNIFE

ASSEMBLY INSTRUCTION

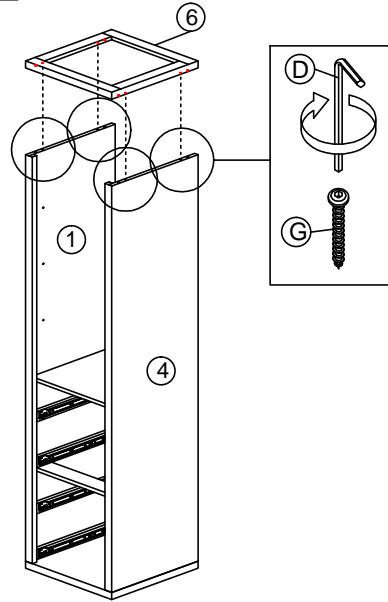
MODEL : FC 940012

DESC : FILLING CABINET

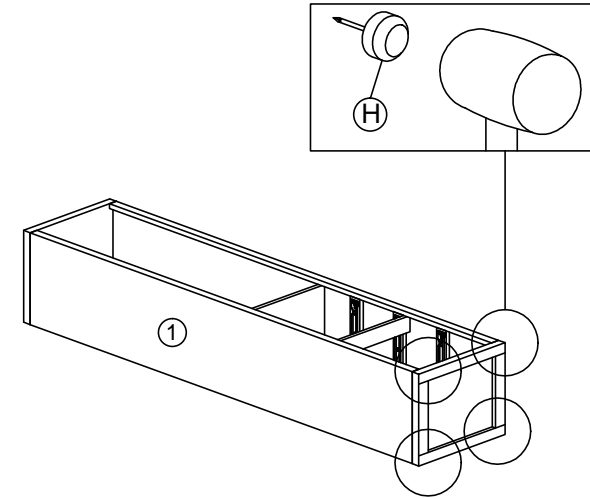
STEP 10



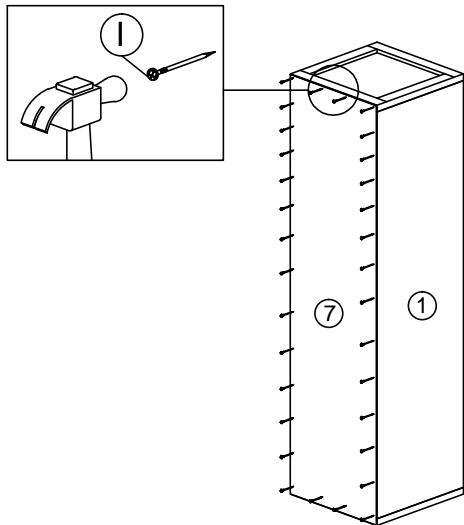
STEP 11



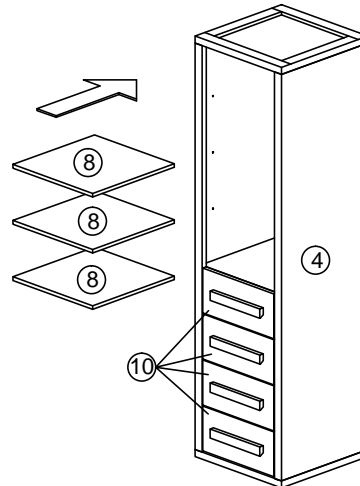
STEP 12



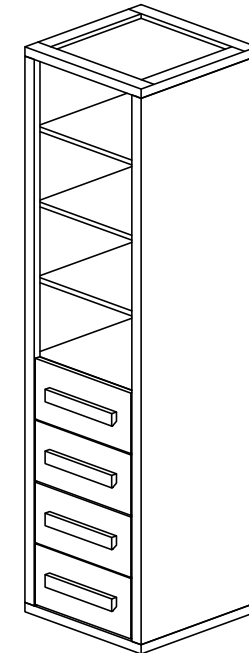
STEP 13



STEP 14

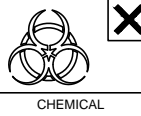


COMPLETED

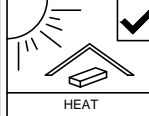




SOFT, DRY CLOTH



CHEMICAL



HEAT



KEEP DRY



HANDLE WITH CARE



DO NOT USE KNIFE

ASSEMBLY INSTRUCTION

MODEL : FC 940012

DESC : FILLING CABINET

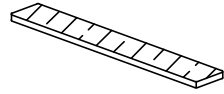
ANTI STOPPER

V



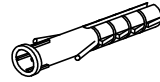
WASHER
X4

W



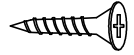
SAFETY STRAP
X2

X



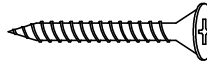
PLASTIC WALL ANCHOR-RED
X2

Y

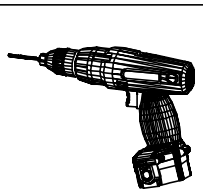
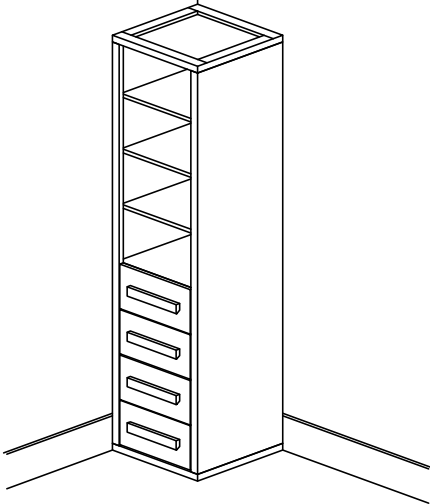


CB SCREW
M3.5X16MM
X2

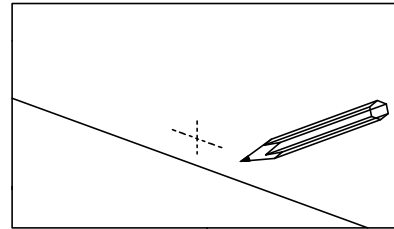
Z



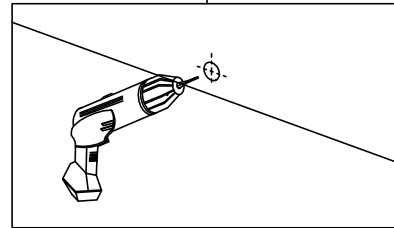
CB SCREW
M4X38MM
X2



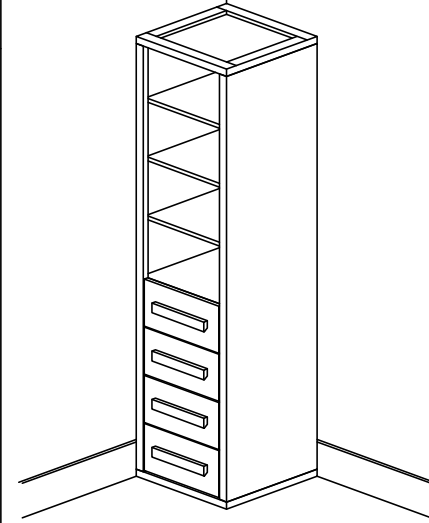
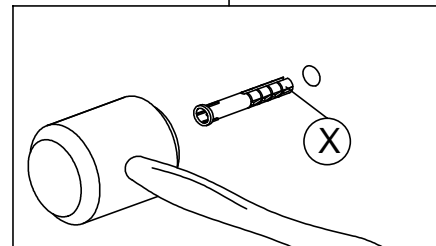
1.



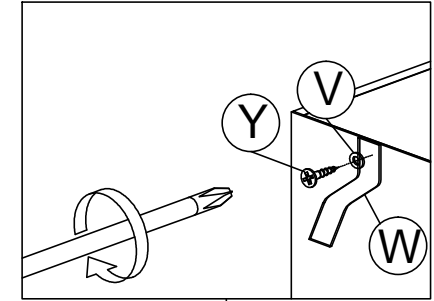
2.



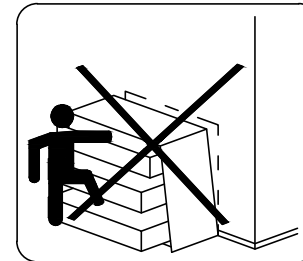
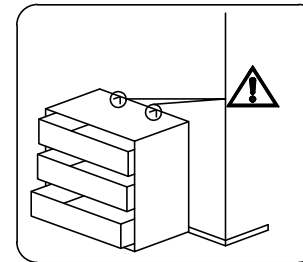
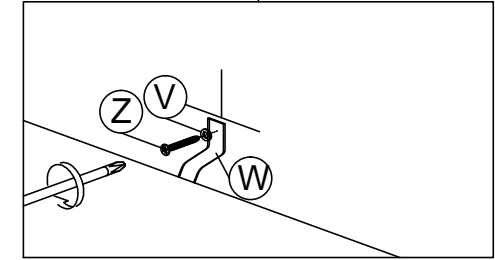
3.



4.



5.



⚠ WARNING

Serious or fatal crushing injuries can occur from furniture tipover. To help prevent tip-over:

- Install tip over restraint provided.
- Place heaviest items in the lower drawers.
- Unless specifically designed to accommodate, do not set TVs or other heavy object on top of this product.
- Never allow children to climb or hang on drawers, doors or shelves.
- Never open more than one drawer at a time.
(OR)
- Do not defeat or remove the drawer interlock system.

Use of tipover restraints may only reduce, but not eliminate, the risk of tipover.

This is a permanent label. Do not remove.