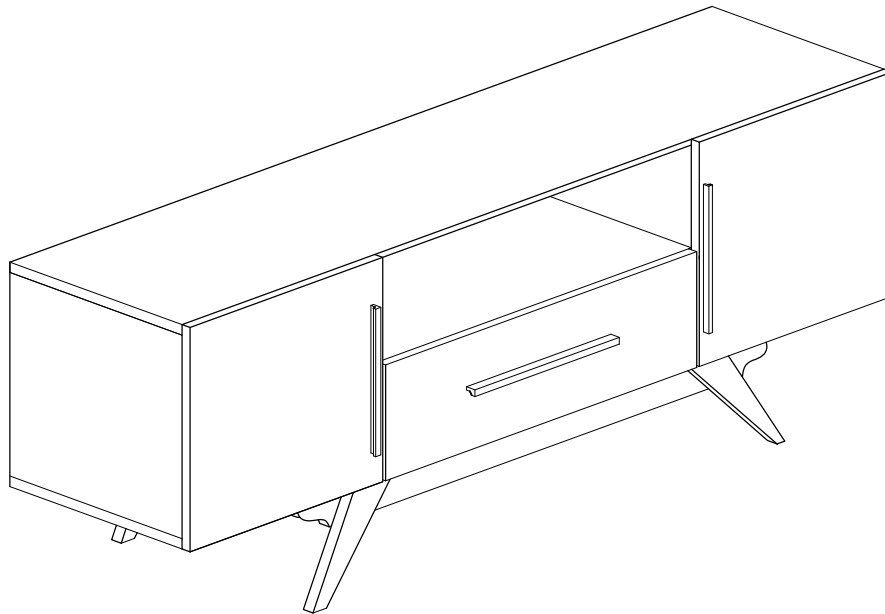


ASSEMBLY INSTRUCTIONS

ASHFIELD TV STAND ITEM# 38409WAL



NOTE : THE MAXIMUM WEIGHT THIS PRODUCT CAN HOLD IS 55lbs.

ASSEMBLY REQUIREMENTS

3 Hours
Assembly Time
(Approximate)

2-Person
Assembly

Tools Required:
(Not Provided)



Thank you for purchasing our product!

Please refer and use this assembly instruction to assemble the product.
Contact our customer service department in case there are any missing or damage parts or hardware.
Replacement parts are normally shipped within 2 or 3 days.

Email: replacementparts@buylateral.com
Within 30 days from delivery date

We appreciate your business!

ASSEMBLY INSTRUCTIONS

ASHFIELD TV STAND ITEM# 38409WAL

ASSEMBLY PREPARATION

1. Remove all packaging materials, staples and packing straps from the carton.
2. Refer to Parts List and Hardware List and ensure they are complete before you start assembling.
3. Place all wooden parts on a clean, flat and soft surface (e.g. carpet or rug) to prevent parts from getting scratched.

SAFETY PRECAUTION:

1. KEEP ALL HARDWARE PARTS OUT OF REACH OF CHILDREN.
2. DISPOSE PLASTIC PACKAGING MATERIAL IMMEDIATELY TO AVOID ANY RISK OF SUFFOCATION TO CHILDREN AND ANIMALS.

TIPS FOR ASSEMBLY

1. Allow ample room for assembly and in close proximity to where product will be placed.
2. Assemble the product on a surface that does not scratch or damage the exterior gloss and finish of the furniture.
3. Please check all of the parts and quantities are included before assembly. Contact customer service for missing parts.
4. Identify all of the parts, hardware and quantities required for each step.
5. During assembly, do not over-tighten any fittings as this may cause damage.
6. DO NOT USE POWER TOOLS TO ASSEMBLE THIS PRODUCT.
7. Always place the product on a flat, stable surface.
8. Do not sit or stand on the partially assembled product; only use the product for which it is intended.
9. This product is made of reinforced hollow board. Excessive pressure can cause irreparable damage. Avoid standing or kneeling on any parts of the product during assembly.

CARE AND MAINTENANCE

- Use a slightly damp cloth to clean the product. Do not use bleach or abrasive cleaning material.
- Check all the fittings periodically and re-tighten as necessary. Do not use the product if any of the parts is damaged or broken.
- Never allow any kind of liquid to remain on your furniture. Absorption can cause wood to warp or de-laminate.
- Do not place hot items (e.g. hot drinks) directly onto the wood surface.
- Do not drag and pull your furniture.

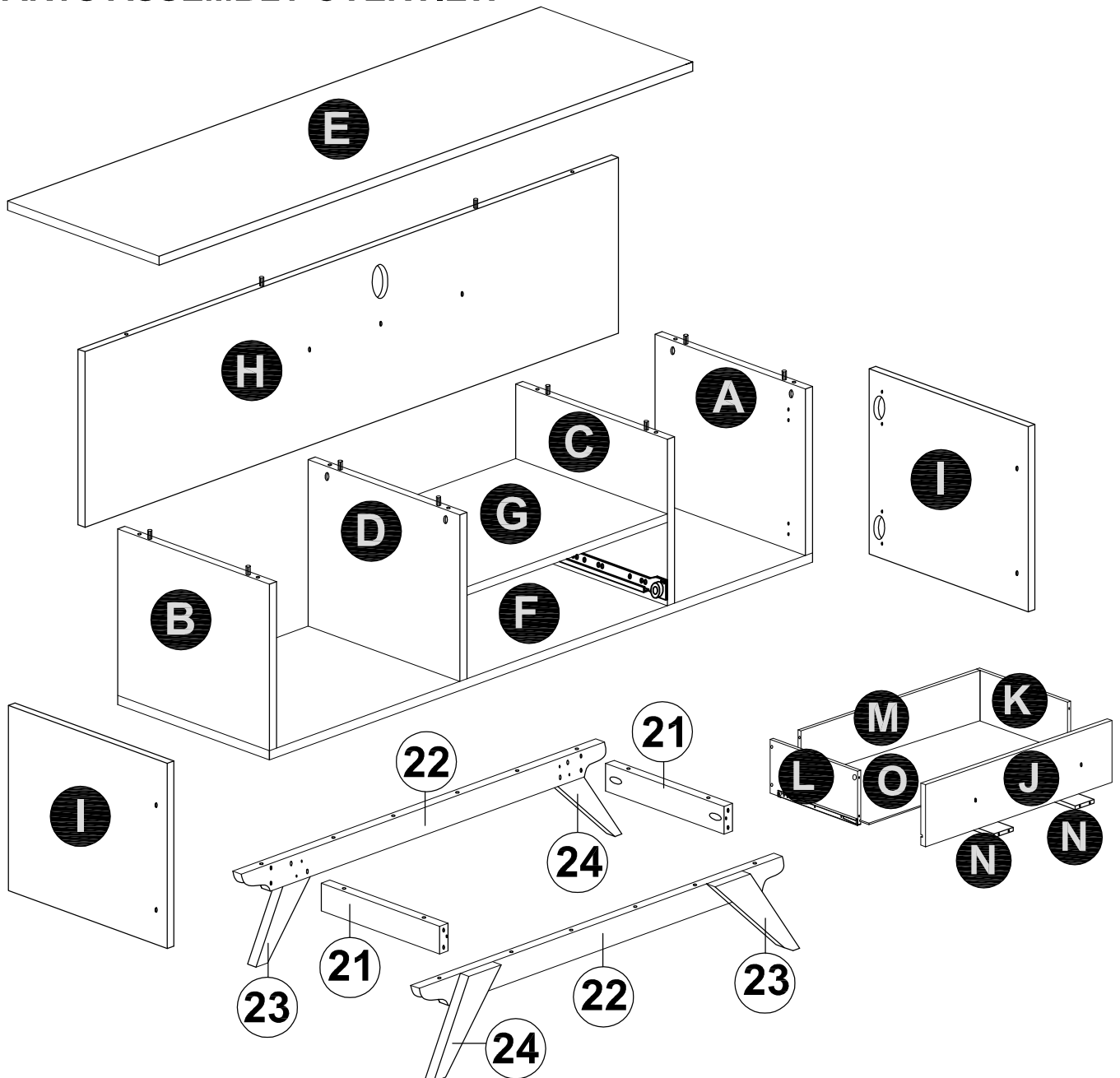
This product is for indoor and household use only - not for commercial use.

ASSEMBLY INSTRUCTIONS

ASHFIELD TV STAND ITEM# 38409WAL

NO.	PART LIST	QTY	NO.	PART LIST	QTY
(A)	RIGHT PANEL	1	(J)	DRAWER FRONT	1
(B)	LEFT PANEL	1	(K)	DRAWER RIGHT PANEL	1
(C)	CENTER RIGHT PANEL	1	(L)	DRAWER LEFT PANEL	1
(D)	CENTRE LEFT PANEL	1	(M)	DRAWER BACK PANEL	1
(E)	TOP PANEL	1	(N)	DRAWER BOTTOM SUPPORT	2
(F)	BOTTOM PANEL	1	(O)	DRAWER BASE	1
(G)	FIXED SHELF	1			
(H)	BACK PANEL	1			
(I)	DOOR PANEL	2			

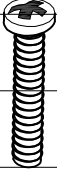



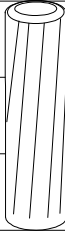
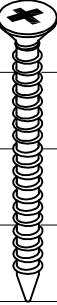

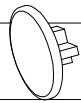


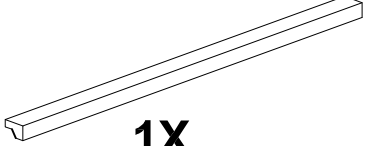
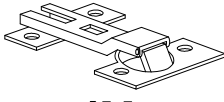
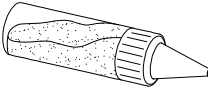
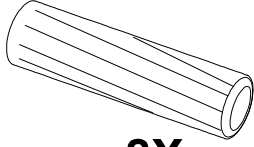

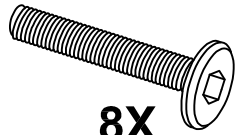


PARTS ASSEMBLY OVERVIEW



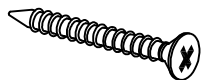
ASSEMBLY INSTRUCTIONS

ASHFIELD TV STAND ITEM# 38409WAL

HARDWARE LIST (1/2)

 <p>6X M4 x 19mm 1 PAN HEAD BOLT</p>	 <p>8X M3.5 x 25mm 2 FLAT HEAD SCREW</p>	 <p>12X Dia.15mm 3 CAM-LOCK</p>	 <p>17X M6.5 4 CAM-BOLT</p>	 <p>30X Dia.6 x 30mm 5 WOOD DOWEL</p>
 <p>14X M8 x 38mm 6 FLAT HEAD SCREW</p>	 <p>5X Dia.15mm 7 SMALL CAM-LOCK</p>	 <p>3X Dia 17mm 8 UNIVERSAL CAP (OPTIONAL)</p>	 <p>3X Dia.13mm 9 SCREW COVER (OPTIONAL)</p>	 <p>1X M4 10 ALLEN KEY</p>
 <p>1X 11 HANDLE (LONG)</p>	 <p>4X 12 ADJUSTABLE HINGE</p>	 <p>2X 13 GLUE 10CC</p>	 <p>8X Dia.8 x 30mm 14 WOOD DOWEL</p>	 <p>16X M8 x 50mm 15 FLAT HEAD SCREW</p>
	 <p>8X M5 x 40mm 16 ALLEN HEAD BOLT</p>	 <p>8X Ø12 x 1mm 17 SPRING WASHER</p>	 <p>8X Ø12 x 0.5mm 18 FLAT WASHER</p>	

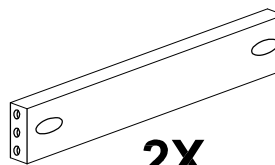
HARDWARE LIST (2/2)



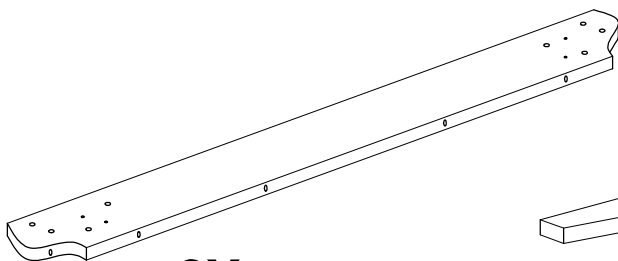
12X
M8 x 32mm
19
FLAT HEAD
SCREW



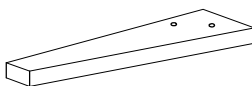
16X
M8 x 5/8mm
20
FLAT HEAD
SCREW



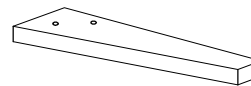
2X
21
SIDE PROFILE
283 x 45 x 20 mm



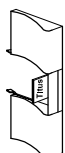
2X
22
FRONT PROFILE
1148 x 70 x 20 mm



2X
23
RIGHT LEG PROFILE
300 x 70 x 28 mm



2X
24
LEFT LEG PROFILE
300 x 70 x 28 mm



2X
25
DOOR
SOFT-CLOSE



2X
26
HANDLE
(SHORT)

Instructions For Fastening CAM-BOLT and CAM-LOCK



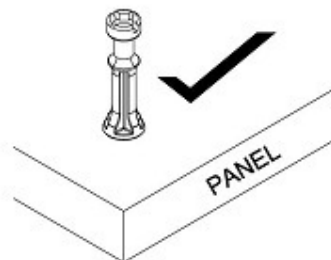
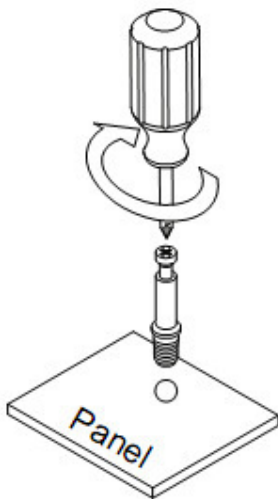
CAM-BOLT



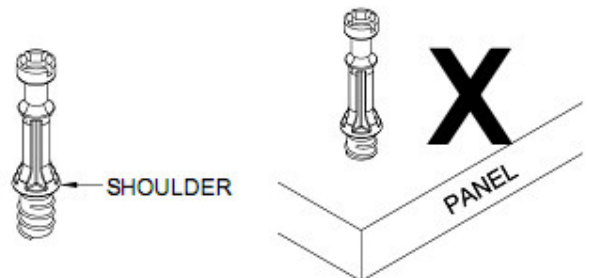
CAM-LOCK

CAM-BOLT

Place Cam-bolt on the designated pre-drilled hole on the panel. Use a Phillips Screwdriver to turn Cam-bolt vertically until shoulder is snug and flushed with panel. Do not over-tighten or under-tighten Cam-bolt. See illustrations below.



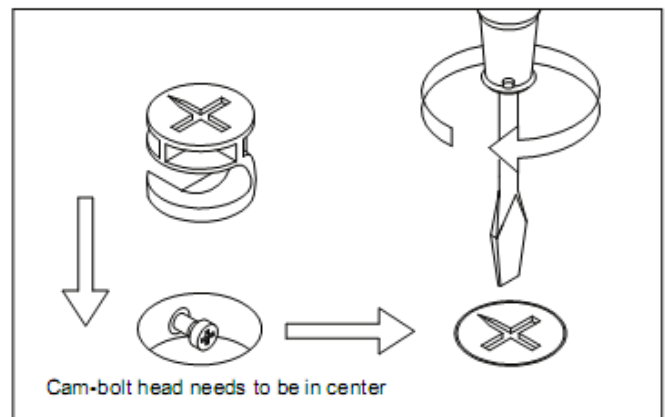
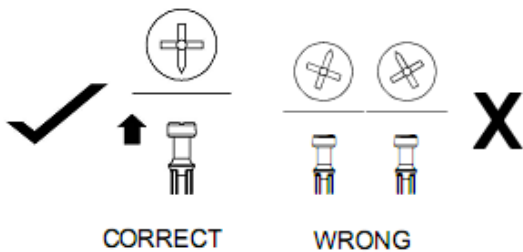
Shoulder is flushed
(on the same level)
with the panel.



Shoulder is
above the panel.

CAM-LOCK

Align the arrow on the Cam-lock to the Cam-bolt head and insert the Cam-lock.



Cam-bolt head needs to be in center

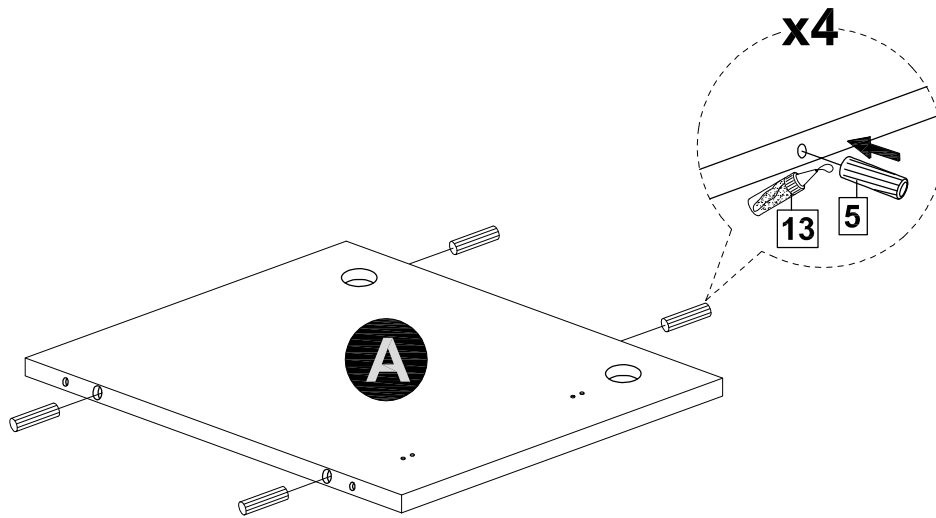
Use a Flat-head Screwdriver to turn Cam-lock clockwise to lock onto the head of the Cam-bolt. Turn until it is snug (about one half a turn) -- over-tightening could damage Cam-lock or/and Cam-bolt

ASSEMBLY INSTRUCTIONS

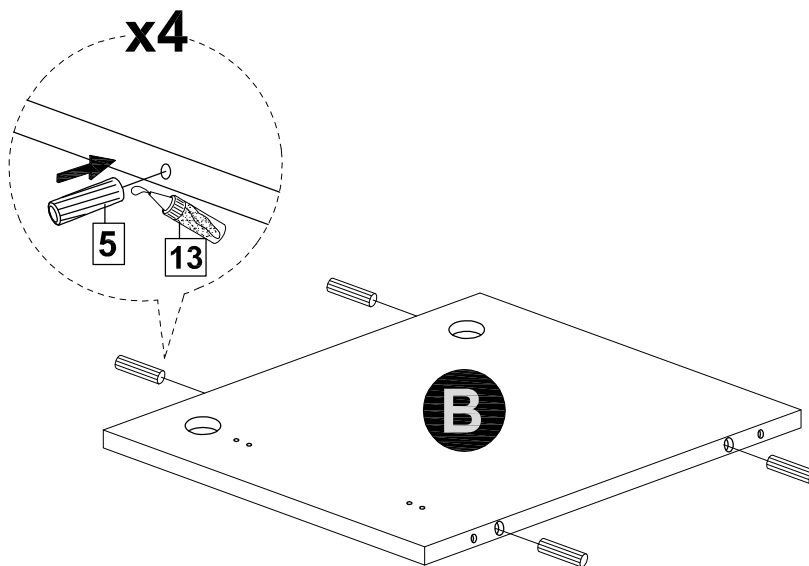
ASHFIELD TV STAND ITEM# 38409WAL

STEP 1

Place Right Panel (A) as shown on a material that does not scratch or damage its surface as shown. Identify designated holes on (A) for Wood Dowel (5). Apply a small amount of Glue (13) to each hole and insert Wood Dowel. Use a mallet to lightly tap Wood Dowel into the hole if necessary.



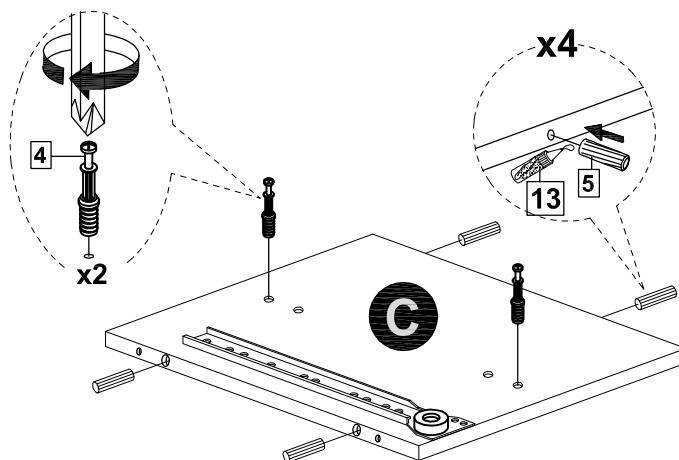
STEP 2



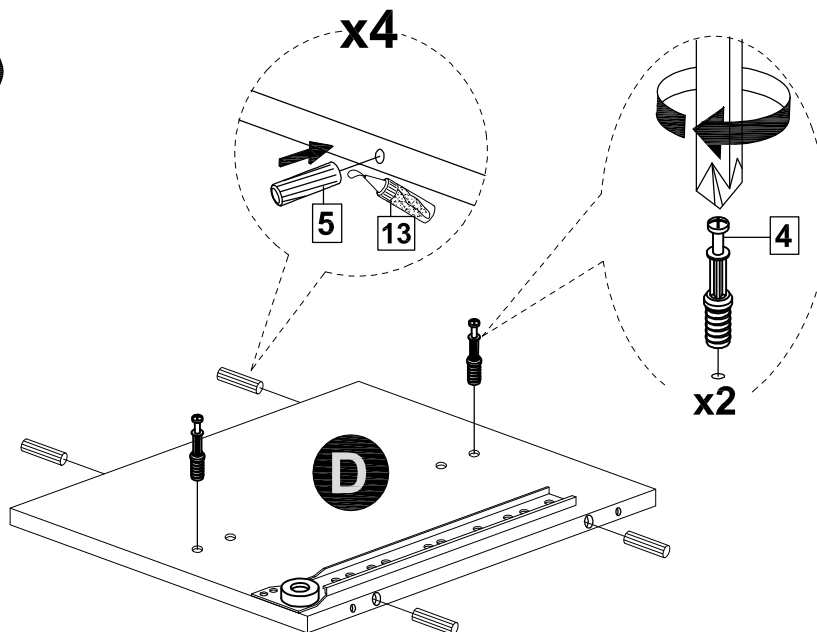
Use the same procedure in STEP 1 to insert Wood Dowel (5) to Left Panel (B).

STEP 3

- a) Place Center Right Panel (C) as shown on a material that does not scratch or damage its surface as shown.
- b) Identify designated holes on top and bottom edge of (C) for Wood Dowel (5). Apply a small amount of Glue (13) to each hole and insert Wood Dowel. Use a mallet to lightly tap Wood Dowel into the hole if necessary.
- c) Identify designated holes for Cam-bolt (4). Use a Phillips Screwdriver (not provided) to screw in Cam-bolts. Refer to Page 6 for instructions to screw in Cam-bolts.



STEP 4



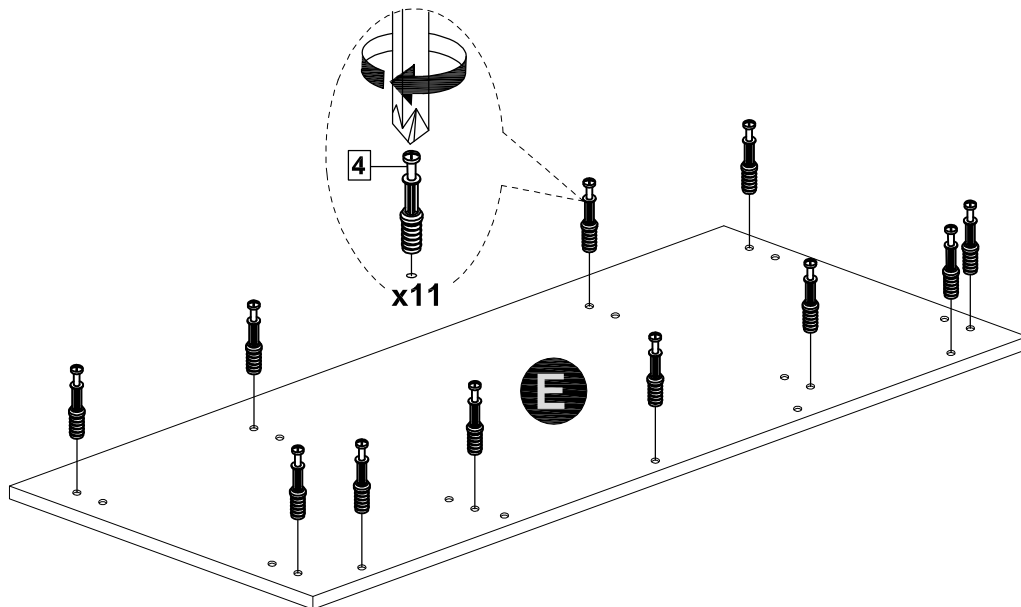
Use the same procedure in STEP 3 to insert Wood Dowel (5) and Cam-bolt (4) to Center Left Panel (D).

ASSEMBLY INSTRUCTIONS

ASHFIELD TV STAND ITEM# 38409WAL

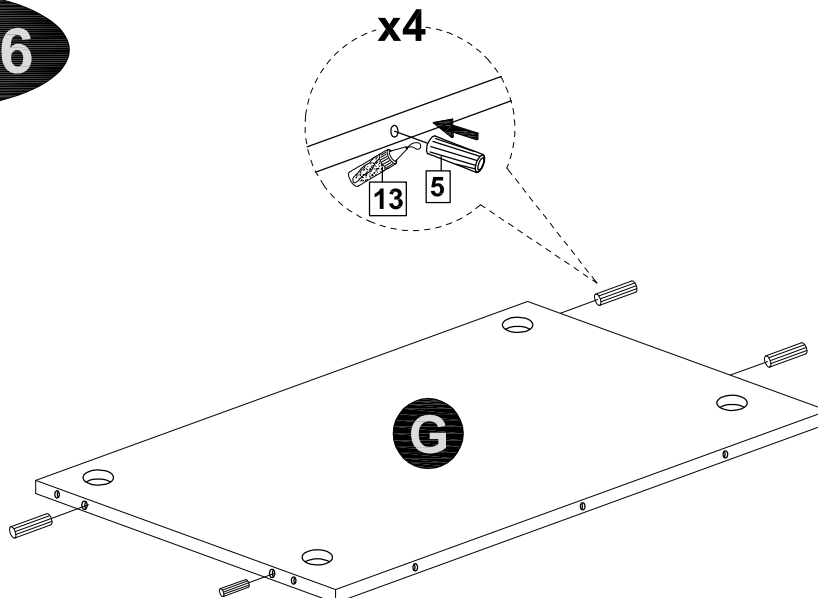
STEP 5

Place Top Panel (E) bottom-side up on a material that does not scratch or damage its surface as shown. Next, identify designated holes for Cam-bolt (4). Use a Phillips Screwdriver to screw in Cam-bolts.



STEP 6

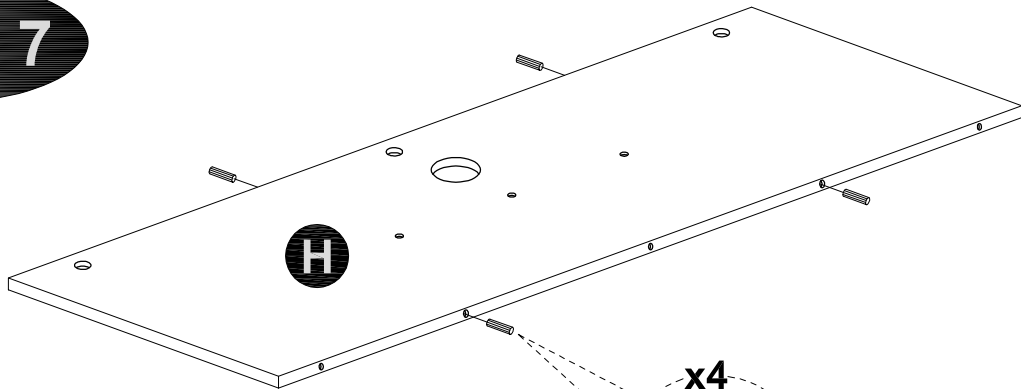
Place Fixed Shelf (G) as shown on a material that does not scratch or damage its surface as shown. Identify designated holes on (G) for Wood Dowel (5). Apply a small amount of Glue (13) to each hole and insert Wood Dowel. Use a mallet to lightly tap Wood Dowel into the hole if necessary.



ASSEMBLY INSTRUCTIONS

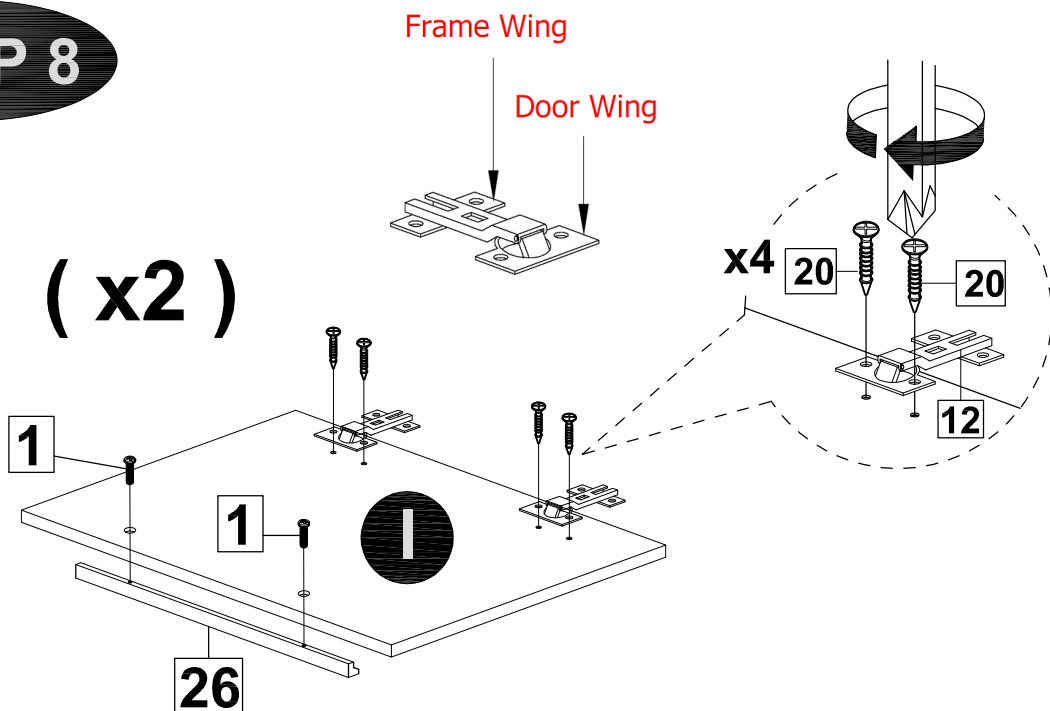
ASHFIELD TV STAND ITEM# 38409WAL

STEP 7



Place Back Panel (H) as shown on a material that does not scratch or damage its surface as shown. Identify designated holes on (H) for Wood Dowel (5). Apply a small amount of Glue (13) to each hole and insert Wood Dowel. Use a mallet to lightly tap Wood Dowel into the hole if necessary.

STEP 8



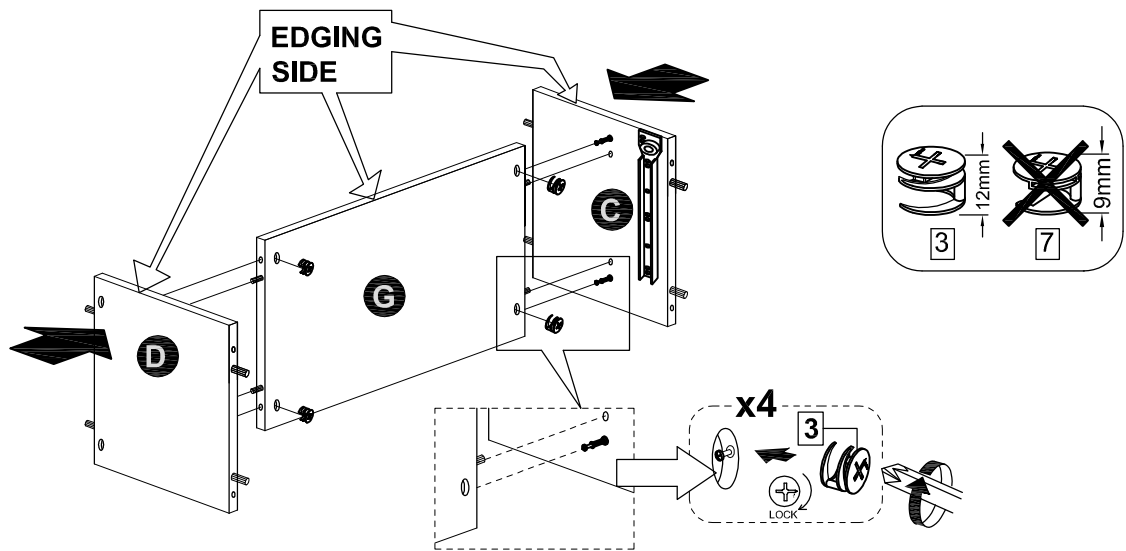
- Place Door (I) as shown on a material that does not scratch or damage the front surface.
- Place Adjustable Hinge (12) as shown with the screw holes on the Door Wing of the Hinge align to the pilot holes on (I) and fasten with Flat Head Screws (20). Use Phillips Screwdriver to drive the screws.
- Insert Pan Head Bolt (1) to affix Short Handle (26) on the front surface. Use Phillips Screwdriver to drive the screw.

ASSEMBLY INSTRUCTIONS

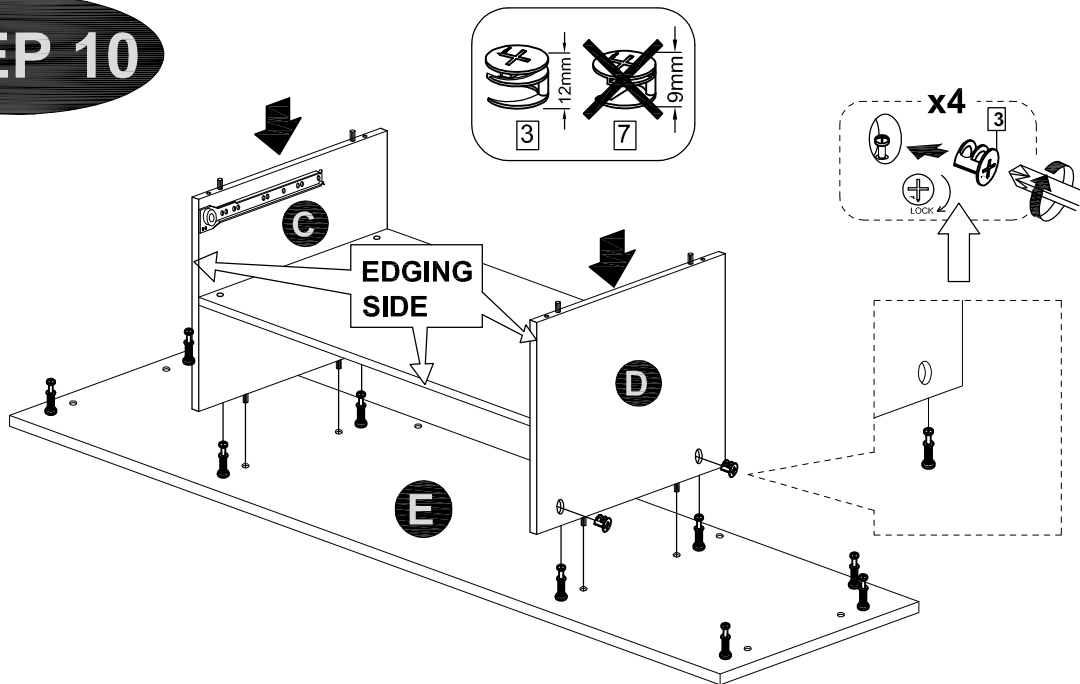
ASHFIELD TV STAND ITEM# 38409WAL

STEP 9

Position Fixed Shelf (G), Center Right Panel (C) & Center Left Panel (D) as shown. Attach (C) & (D) to (G) via Wood Dowels & Cam-bolts, respectively. Next, insert Cam-lock (3) into designated holes on (G) and turn Cam-lock clockwise to lock onto Cam-bolts on (C) & (D). Refer to Page 6 for instructions on fastening Cam-lock.



STEP 10



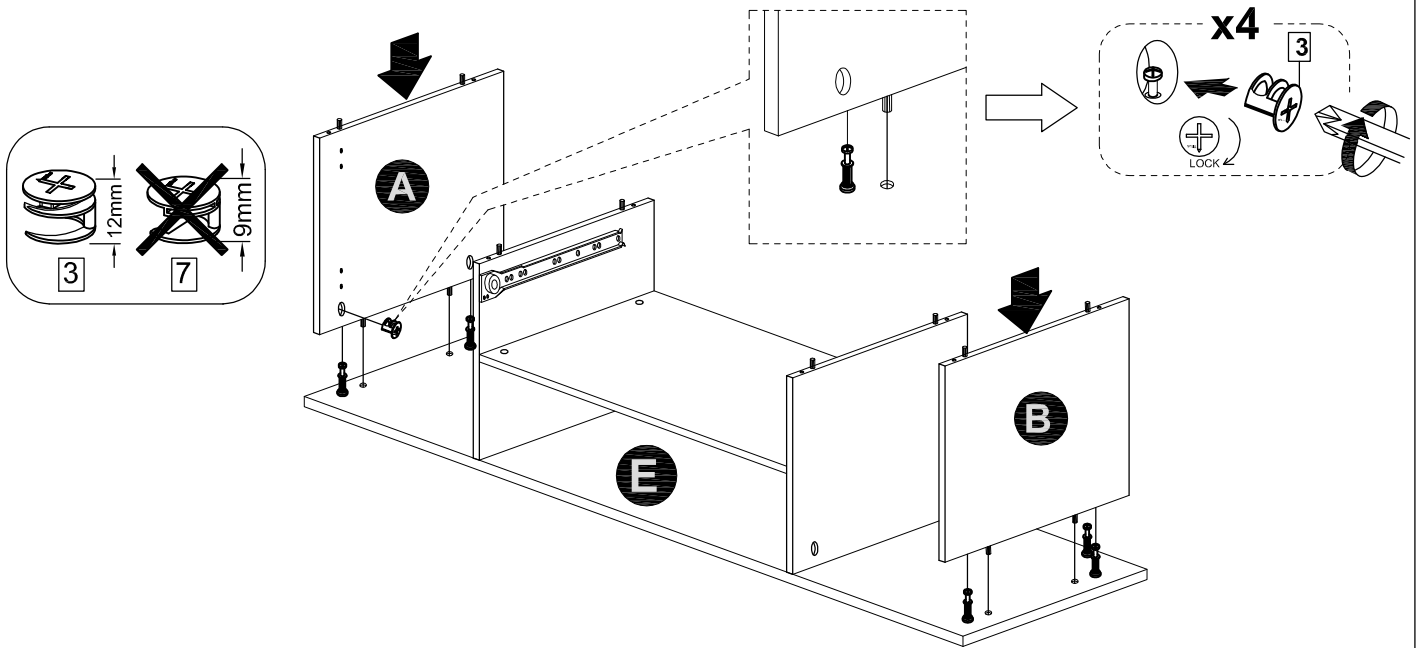
Place Top Panel (E) from STEP 5 on a material that does not scratch or damage its surface. Position assembly unit from STEP 9 as shown. Attach Center Right Panel (C) & Center Left Panel (D) to (E) via Wood Dowels & Cam-bolts, respectively. Next, insert Cam-lock (3) into designated holes on (C & D) and turn Cam-lock clockwise to lock onto Cam-bolts on (E).

ASSEMBLY INSTRUCTIONS

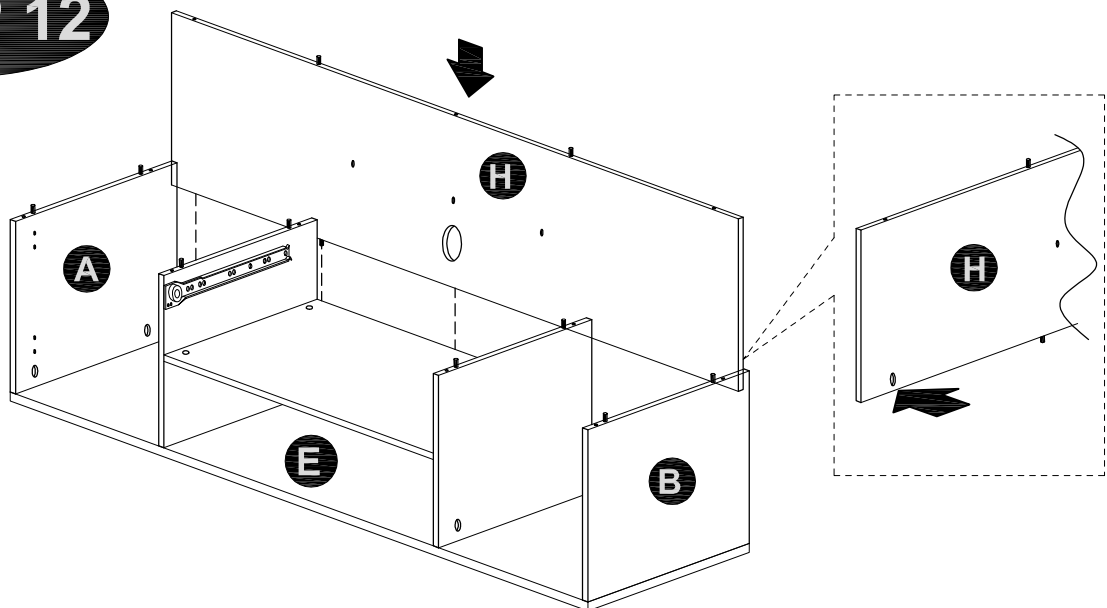
ASHFIELD TV STAND ITEM# 38409WAL

STEP 11

Attach Right Panel (A) and Left Panel (B) to Top Panel (E) in STEP 10 via Wood Dowels & Cam-bolts, as shown. Next, insert Cam-lock (3) into designated holes on (A & B) and turn Cam-lock clockwise to lock onto Cam-bolts on (E).



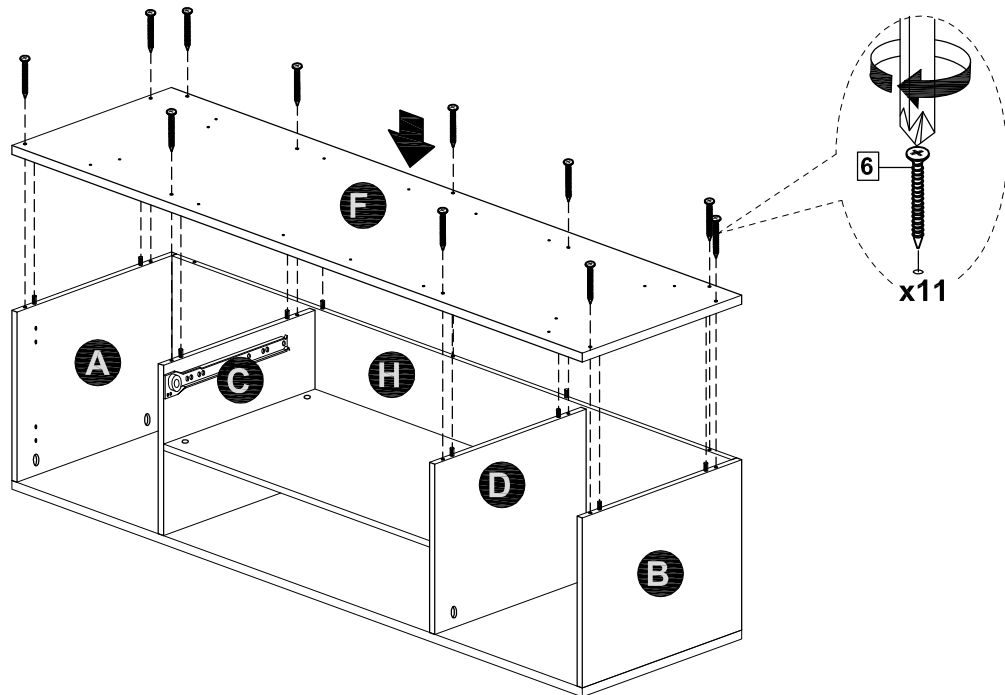
STEP 12



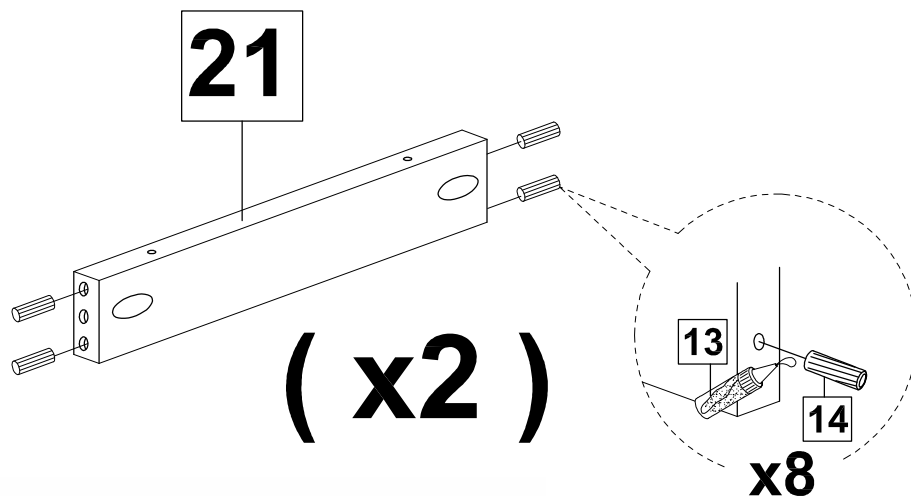
Attach Back Panel (H) from STEP 7 to Top Panel (E) by fitting the Wood Dowels on (H) to the 2 designated holes for wood dowels on (E). Note the orientation of (H).

STEP 13

Identify the side of Bottom Panel (F) that have pre-drilled for wood dowels (In addition to through-holes for screw). Align the wood dowel holes on (F) to wood dowel holes on the bottom edge of (A),(B),(C),(D)&(H) and attach (F). Fasten (F) to (A),(B),(C),(D)&(H) with Flat Head Screw (6). Use a Philips Screwdriver to drive Screw (6).



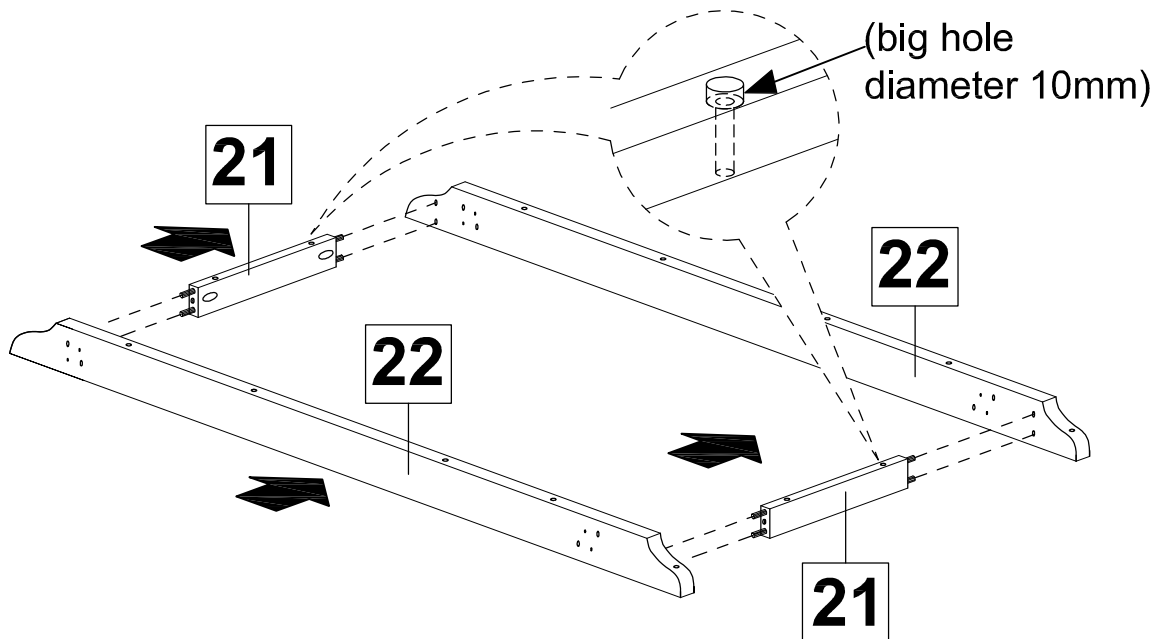
STEP 14



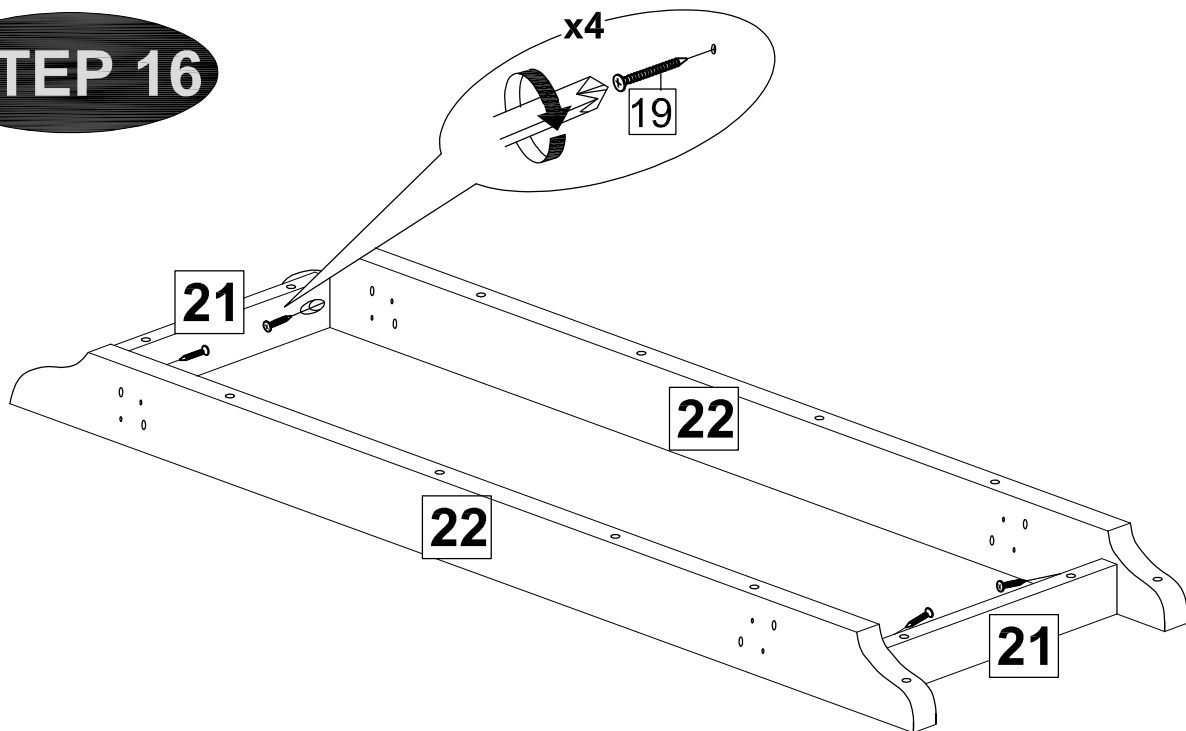
Identify designated holes on Side Profile (21) for Wood Dowel (14). Apply a small amount of Glue (13) to each hole and insert Wood Dowel. Use a mallet to lightly tap Wood Dowel into the hole if necessary.

STEP 15

Identify the holes on Front Profile (22) that are to be inserted with wood dowels on Side Profile (21). Next, apply a small amount into each hole and attach Front Profile (22) to Side Profile (21) via wood dowels.



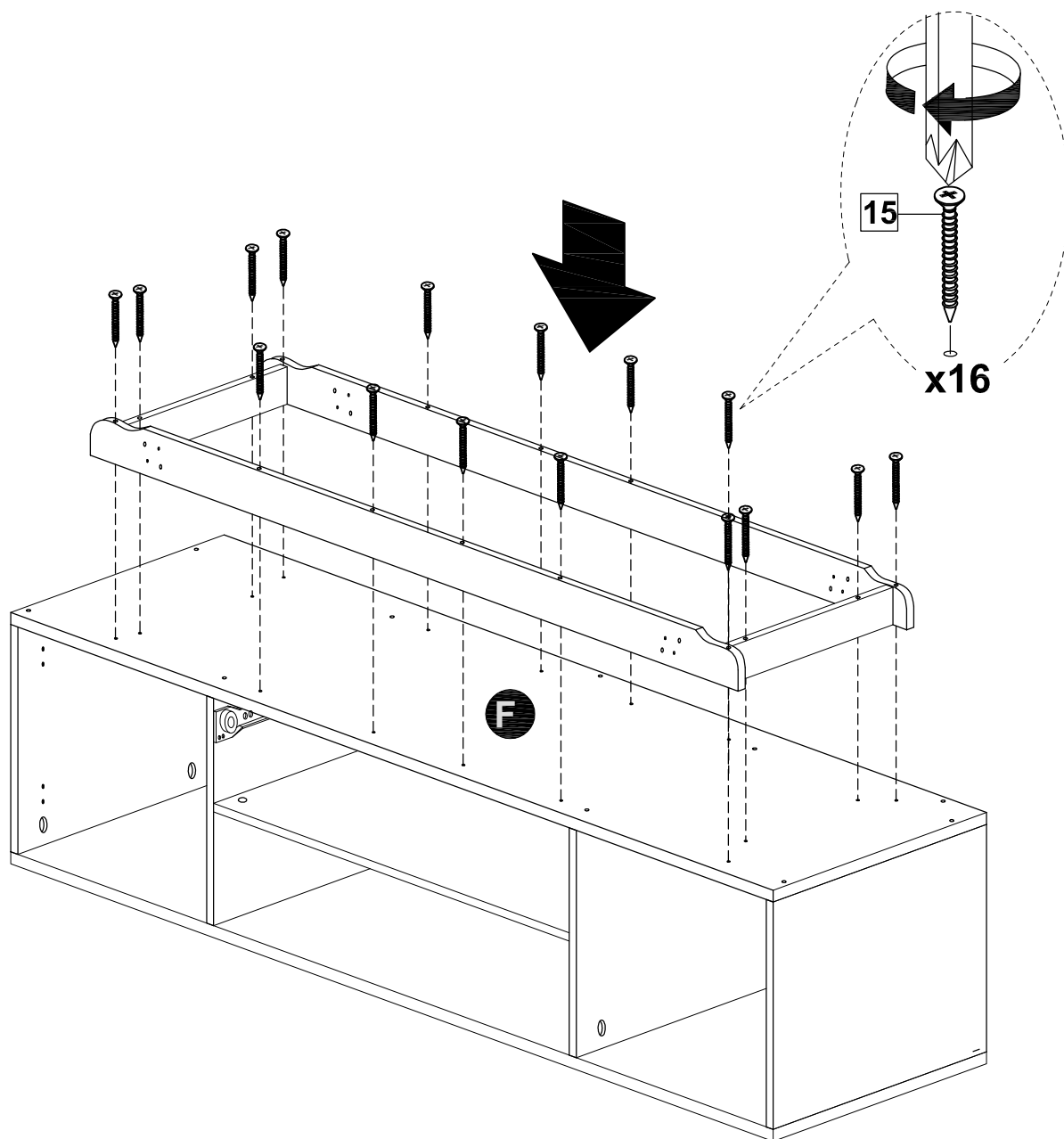
STEP 16



Use a Phillips Screwdriver to drive Flat Head Screw (19) to fasten Side Profile (21) to Front Profile (22).

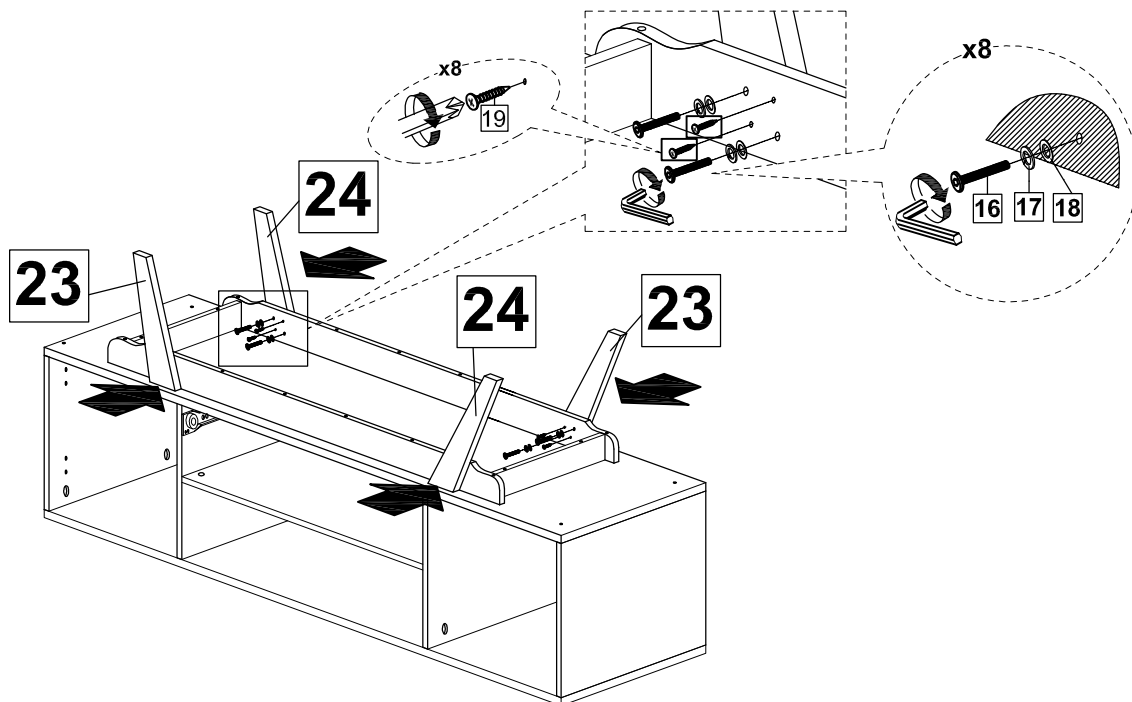
STEP 17

Place the Side & Front Profile assembly completed in STEP 16 on top of the Bottom Panel (F) of the assembly completed in STEP 13 and align the screw holes on each unit. Use a Phillips Screwdriver to drive Flat Head Screw (15) to fasten the Side & Front Profile assembly to (F). Do not tighten Screws (15) completely until all the screws are in place.



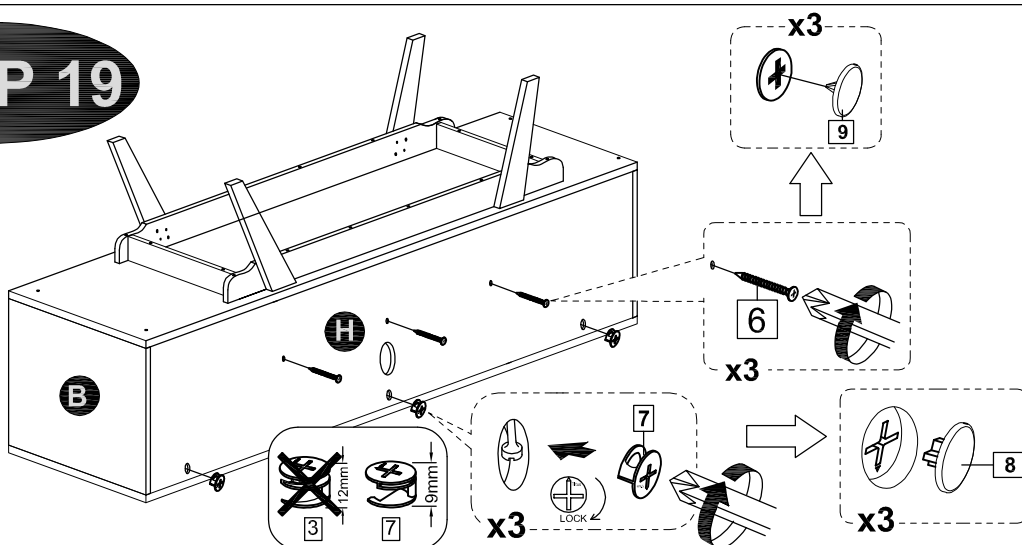
STEP 18

Identify and position Right Leg Profile (23) and Left Leg Profile (24) as shown. Identify the screw holes for Flat Head Screw (19) and bolt holes for Allen Head Bolt (16). Use a Phillips Screwdriver to drive (19) into the respective holes - do not tighten (19) completely at this time. Next, insert Allen Head Bolt (16) fitted with Spring Washer (17) and Flat Washer (18) into bolt holes. Use Allen Key (10) to drive Allen Head Bolt. Do not tighten bolt completely until both bolts are in place on each leg. Tighten Screw (19) completely at this time.

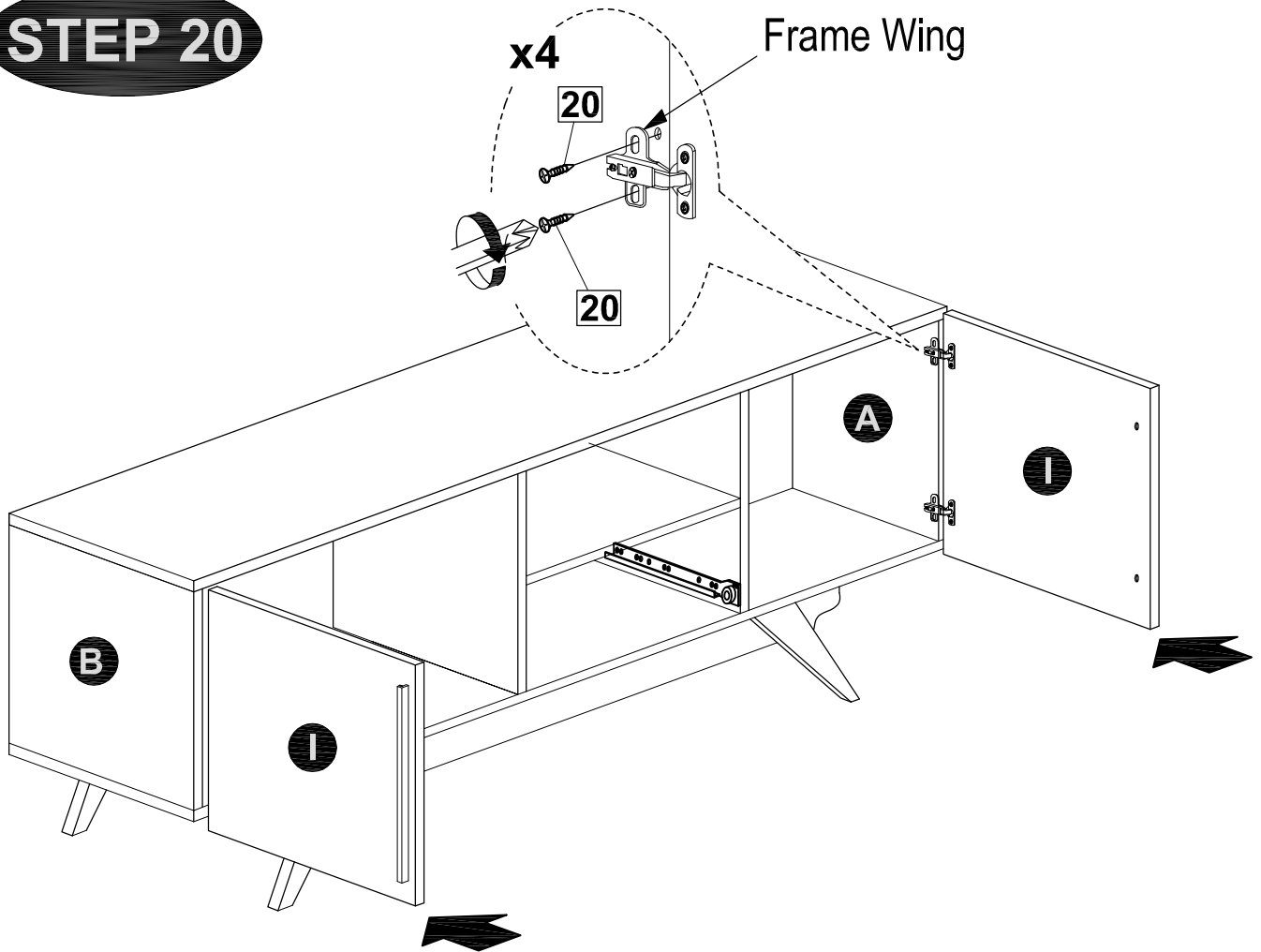


STEP 19

Identify the screw holes locations for Flat Head Screws (6) on Back Panel (H). Use a Phillips Screwdriver to drive (6) to fasten (6) to Fixed Shelf. Next, insert Cam-lock (7) into the designated holes on (H) and turn clockwise to lock Cam-bolt. Affixed Universal Cap (8) and Screw Cover (9) to conceal Cam-lock and Screws respectively.

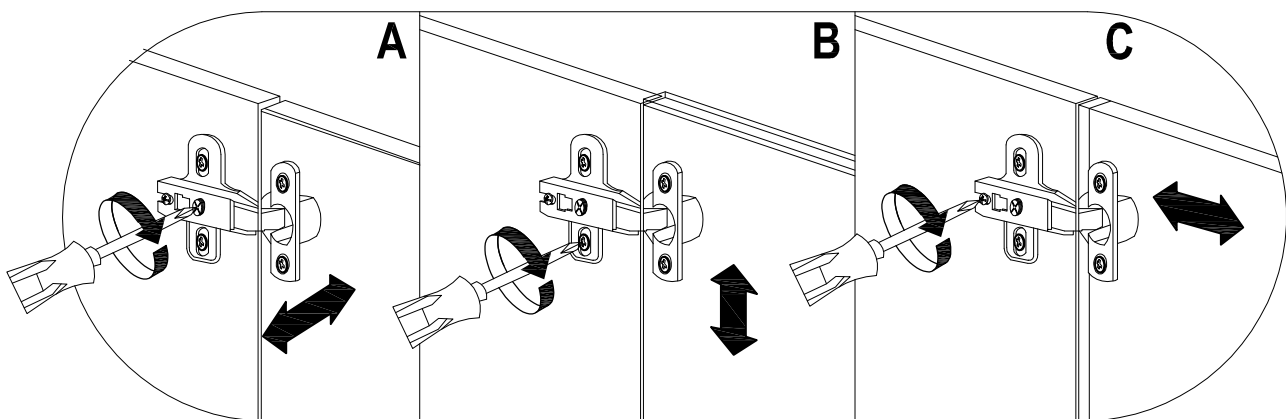


STEP 20



Position Door Panel (I) as shown. Align the screw holes on the Frame Wing of the Hinge to the pilot holes on Right Panel (A) and fasten with Flat Head Screws (20). Use Phillips Screwdriver to drive the screws. Next, use the same procedure to install the second Door Panel (I) to the Left Panel (B)

Hinges Adjustment



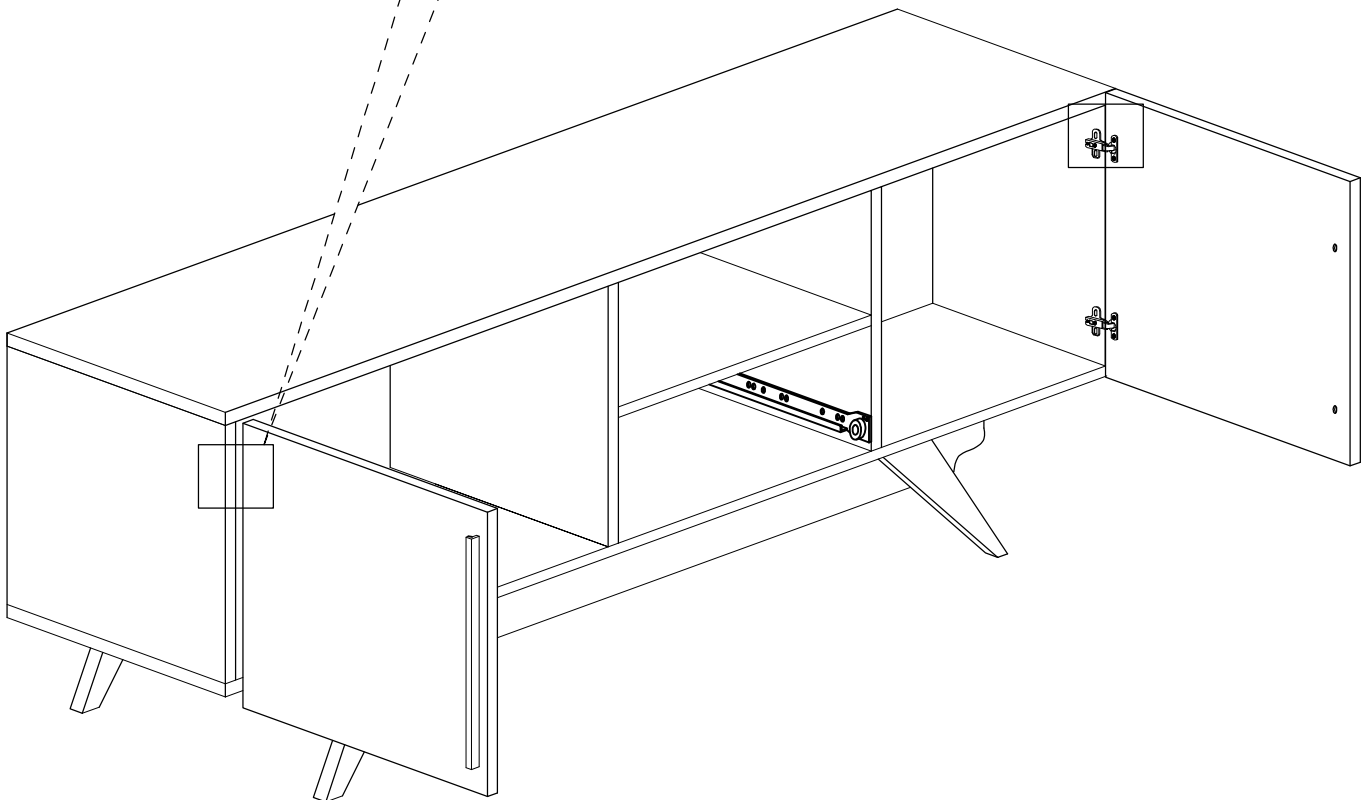
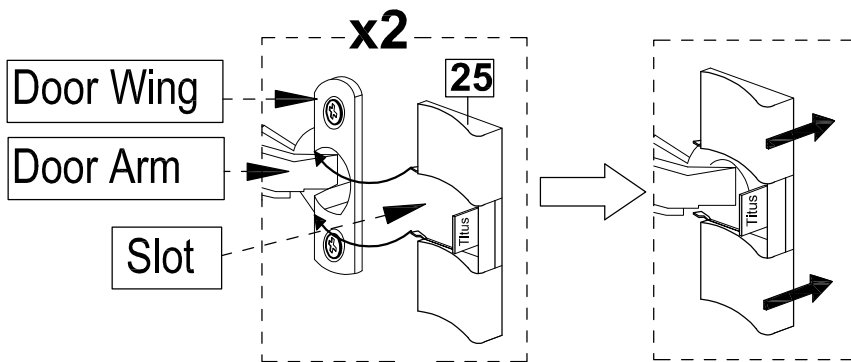
A. Turn front screw to adjust door overlay (sideway).

B. Rotate cam screw on mounting plate to adjust door height.

C. Turn rear screw for door depth adjustment.

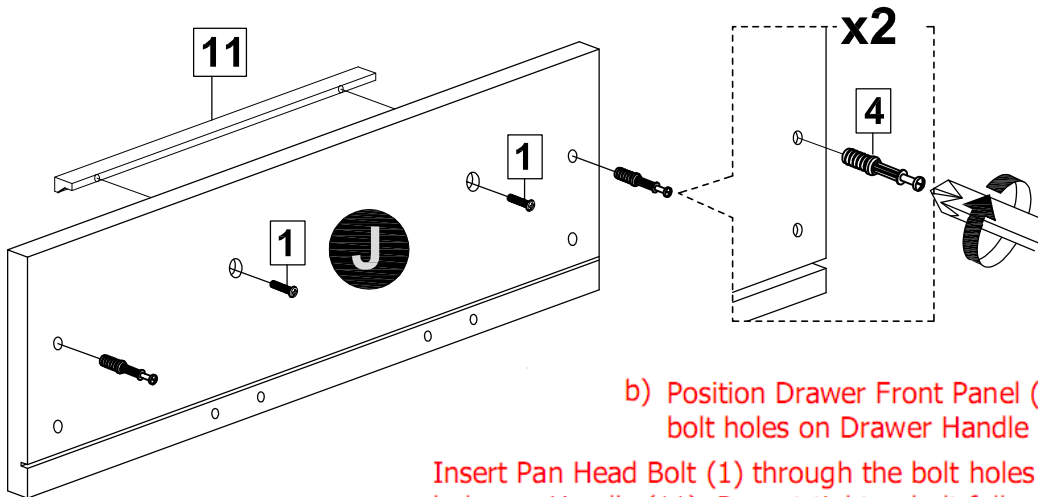
STEP 21

To install Door Soft-Close (25), first, slide slot on (25) to fit onto Door Arm and then push down to cover the Door Wing.



STEP 22

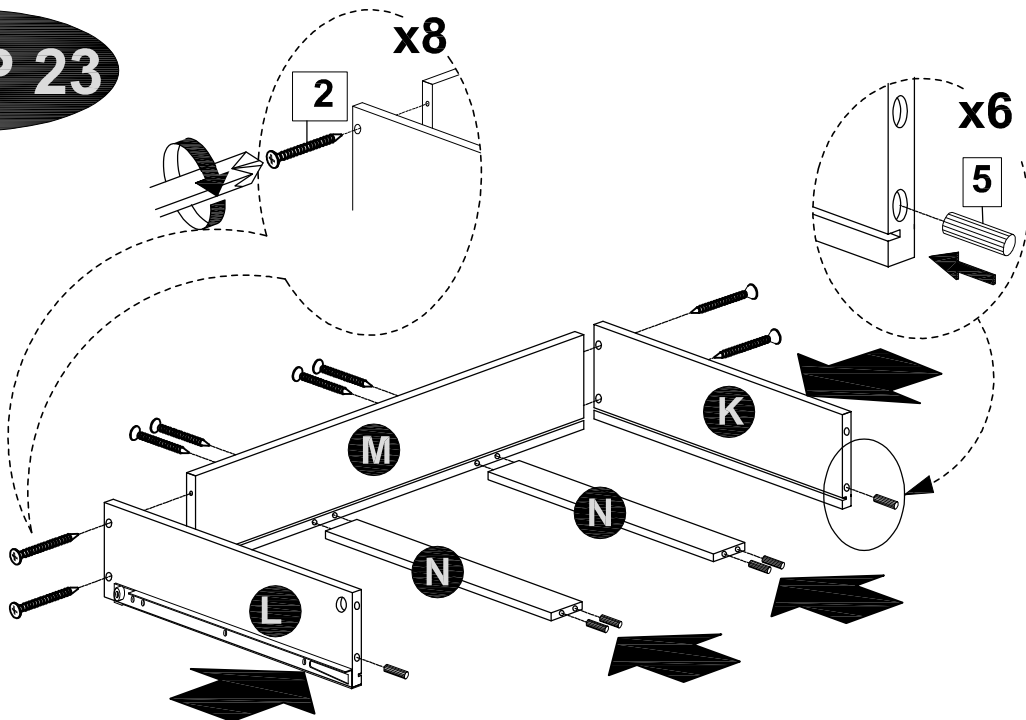
- a) Use a Phillips Screwdriver to screw in Cam-bolt (4) into designated holes on the inside face of Drawer Front Panel (J) as shown. (Note: it is easier to screw in Cam-bolt with the Drawer Front laid flat down - take care not to scratch or damage the front face of the Drawer Front Panel.)



- b) Position Drawer Front Panel (J) vertically as shown. Align bolt holes on Drawer Handle (11) to bolt holes on (J).

Insert Pan Head Bolt (1) through the bolt holes on (J) to thread into bolt holes on Handle (11). Do not tighten bolt fully until both bolts are in place.

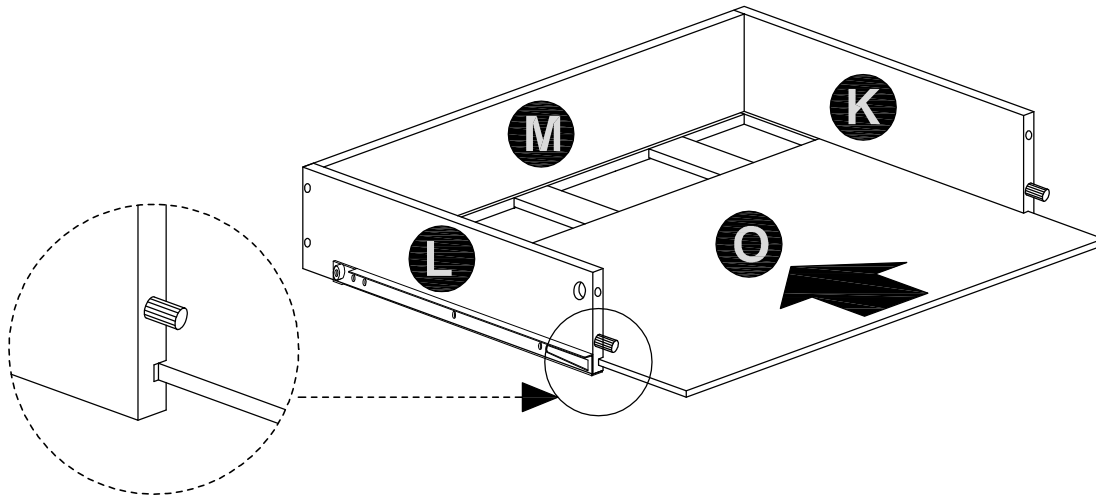
STEP 23



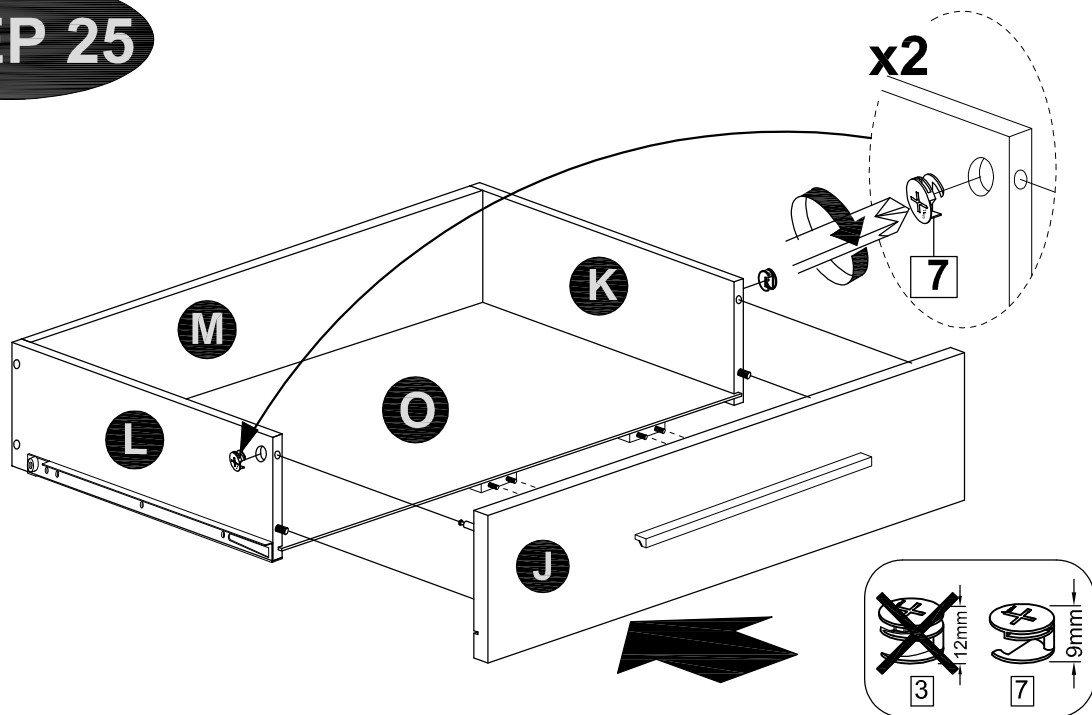
- a) Lay out Drawer Right Panel (K), Back Panel (M), Left Panel (L) and Base Support (N) as shown. (Note the groove on (K, L & M) are aligned and at the base.)
 b) Use Flat Head Screw (2) to fasten (K, L & N) to (M). Do not fasten screw completely until both screws are in place on each panel.
 c) Insert Wood Dowel (5) into the designated holes on Panels (K, L & N) as shown.

STEP 24

Insert Drawer Base (O) via groove on Drawer Right Panel (K), Left Panel (L) and Back Panel (M).



STEP 25

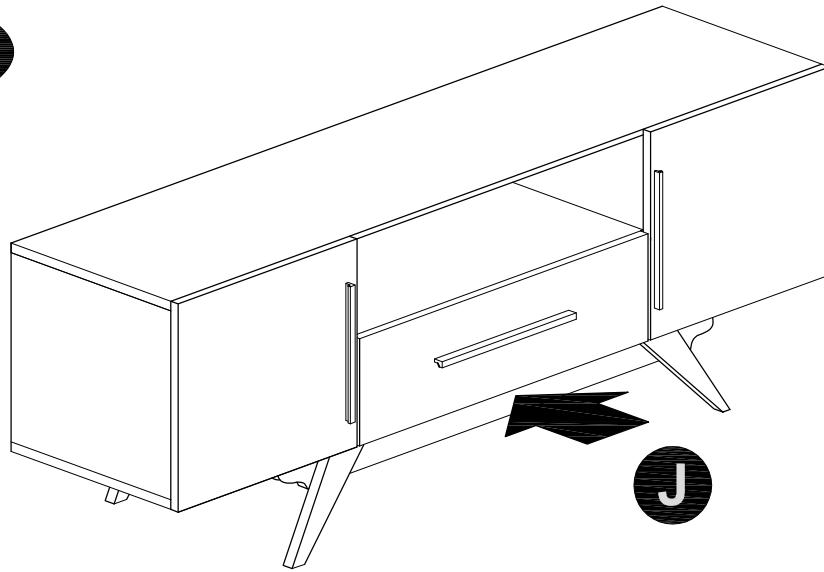


Align and fit Drawer Front Panel (J) onto Drawer Side Panels (K& L) and Base Support (N) via Cam-bolts and Wood Dowels, respectively. Ensure Drawer Base (O) fits into the groove on (J). Next, insert Drawer Cam-lock (7) into designated hole on (K & L) and turn clockwise to lock onto Cam-bolt on (J) .

ASSEMBLY
INSTRUCTIONS

ASHFIELD TV STAND
ITEM# 38409WAL

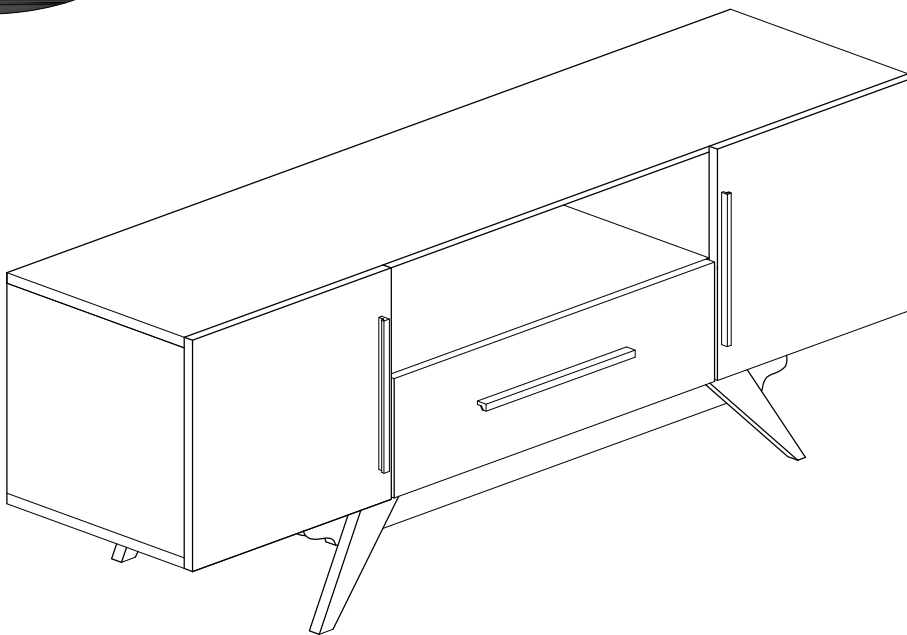
STEP 26



Insert the drawers.

To insert drawer, position rollers on the drawer slide (on each side of the drawer) above the rollers on the slide located on the Center Left and Right Panels. Lift the Back Panel end of the drawer slightly upward to slide the rollers on the drawer into the drawer slide on the panels, and then push in the drawer gently.

STEP 27



The assembly of the Ashfield TV Stand is complete