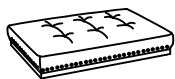


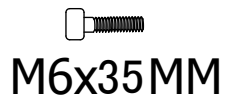
# D0-6119

Ax1



Seat

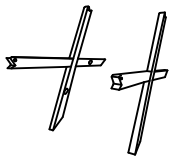
Ex4



M6x35MM

Screw

Bx2



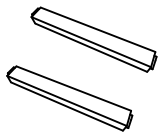
X-legs

Fx4



Plain cushion

Cx2



Side rail

Gx4



Shells pad

Dx4



M6x45MM

Screw

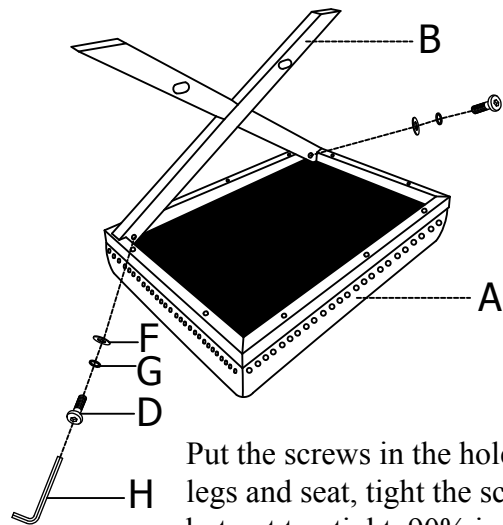
Hx1



M6

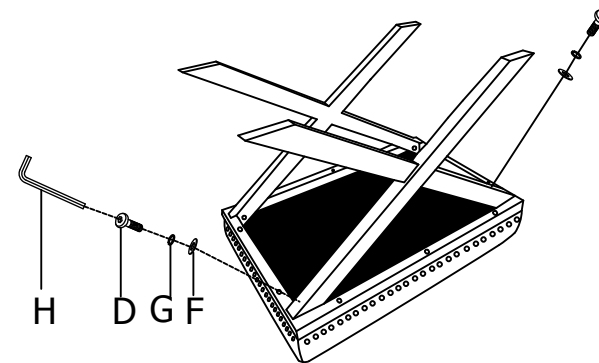
Allen key

①



Put the screws in the holes of the legs and seat, tight the screws, but not too tight, 90% is ok.

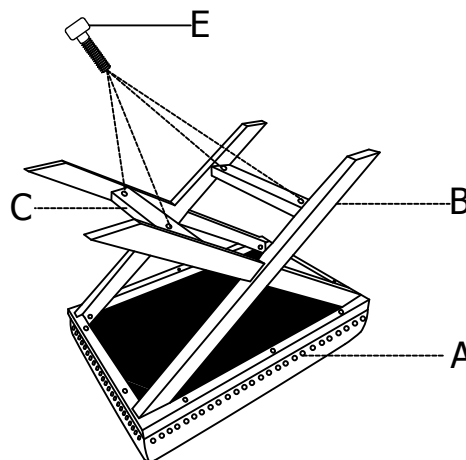
②



This step is same as step 1.

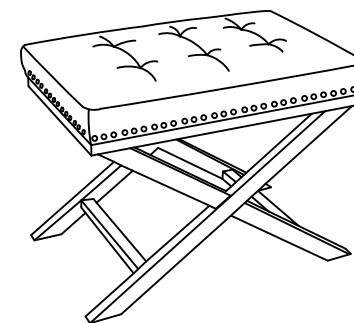
③

Put the side rails in, tight the screws, but not too tight, 90% is ok.



④

Adjust the balance of this bench, tight all the screws to 100%.



**WARNING:**

DO NOT STAND ON THE CHAIR, DO NOT USE THIS CHAIR AS A STEP LADDER.

USE THIS PRODUCT ONLY FOR SEATING ONE PERSON AT A TIME.

DO NOT USE THIS CHAIR UNLESS ALL BOLTS, SCREWS AND KNOBS ARE FIRMLY SECURED.

AT LEAST EVERY 4 MONTHS, CHECK ALL BOLTS, SCREWS AND KNOBS TO BE SURE THEY ARE TIGHT.

IF PARTS ARE MISSING, BROKE, DAMAGED OR WORN, STOP USING THIS PRODUCT UNTIL YOU HAVE REPAIRED IT FULLY.

FAILURE TO FOLLOW THESE WARNINGS COULD RESULT IN SERIOUS INJURY.

PLEASE DO NOT USE KNIFE TO OPEN ANY PARTS OF THE BOX OR CHAIR.