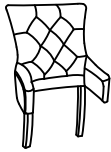


DO-6088

Ax1



Back

Fx4



M8x80MM

Screw

Bx1



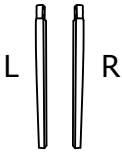
Seat

Gx11



Plain cushion

Cx2



Forelegs

Hx11



Shells pad

Dx3



M8x55MM

Screw

Ix1



M8

Allen key

Ex4



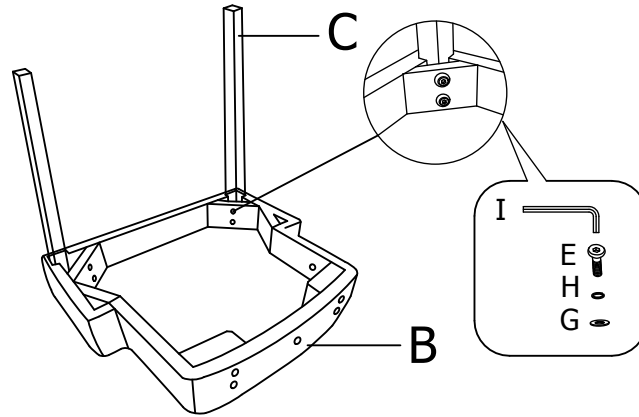
M8x65MM

Screw

Jx1

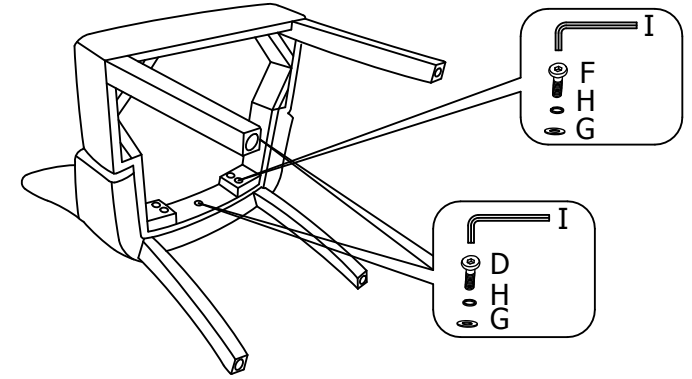


①



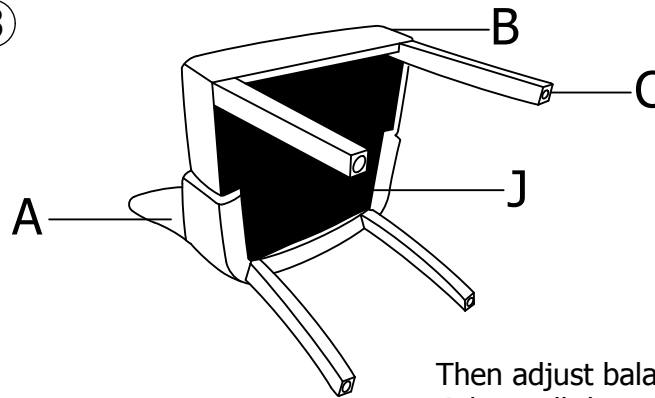
Insert the screws in the holes, tighten the screws, but not too tight, 90% is ok.

②



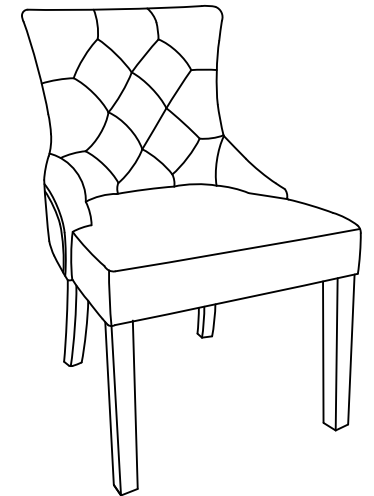
Insert the screws in the holes, tighten the screws, but not too tight, 90% is ok.

③



Then adjust balance of the chair, tighten all the screws to 100%. Stick the black part on the seat.

④



WARNING:

DO NOT STAND ON THE CHAIR, DO NOT USE THIS CHAIR AS A STEP LADDER.

USE THIS PRODUCT ONLY FOR SEATING ONE PERSON AT A TIME.

DO NOT USE THIS CHAIR UNLESS ALL BOLTS, SCREWS AND KNOBS ARE FIRMLY SECURED.

AT LEAST EVERY 4 MONTHS, CHECK ALL BOLTS, SCREWS AND KNOBS TO BE SURE THEY ARE TIGHT.

IF PARTS ARE MISSING, BROKE, DAMAGED OR WORN, STOP USING THIS PRODUCT UNTIL YOU HAVE REPAIRED IT FULLY.

FAILURE TO FOLLOW THESE WARNINGS COULD RESULT IN SERIOUS INJURY.

PLEASE DO NOT USE KNIFE TO OPEN ANY PARTS OF THE BOX OR CHAIR.