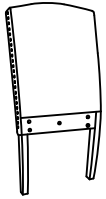


DO-6056

Ax1

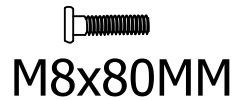


Back

Ex4



Fx4

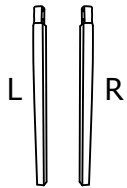


Seat

Gx9



Cx2



Forelegs

Hx9

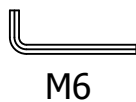


Dx1

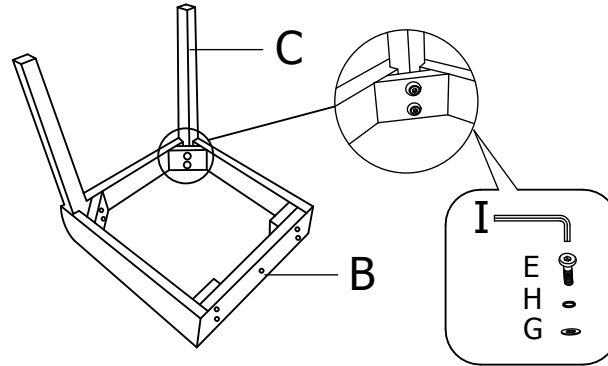


Screw

Ix1

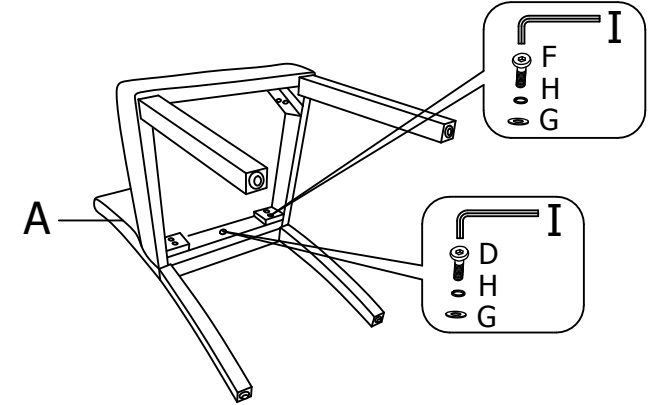


①



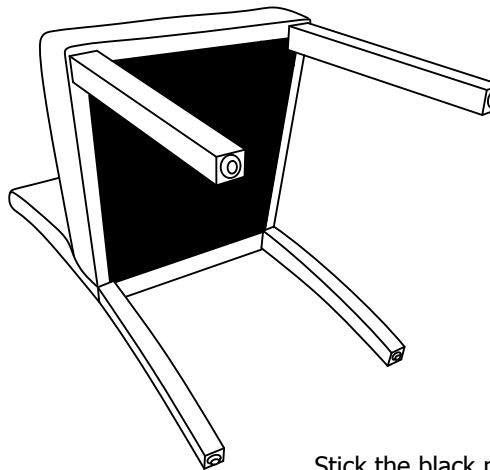
Put the screws in the holes,tight the screws,
but not too tight,90% is ok.
Important please make sure the cam studs
face out as shown

②



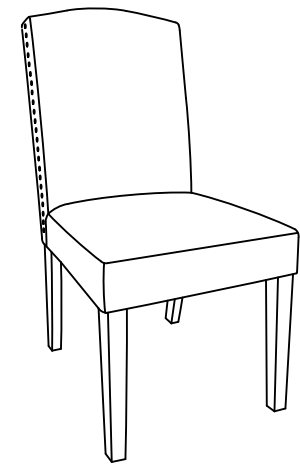
Put the screws in the holes,tight the screws,
but not too tight,90% is ok.
Then adjust balance of the barstool,
tight all the screws to 100%.

③



Stick the black part on the seat.

④



WARNING:

DO NOT STAND ON THE CHAIR, DO NOT USE THIS CHAIR AS A STEP LADDER.

USE THIS PRODUCT ONLY FOR SEATING ONE PERSON AT A TIME.

DO NOT USE THIS CHAIR UNLESS ALL BOLTS, SCREWS AND KNOBS ARE FIRMLY SECURED.

AT LEAST EVERY 4 MONTHS, CHECK ALL BOLTS, SCREWS AND KNOBS TO BE SURE THEY ARE TIGHT.

IF PARTS ARE MISSING, BROKE, DAMAGED OR WORN, STOP USING THIS PRODUCT UNTIL YOU HAVE REPAIRED IT FULLY.

FAILURE TO FOLLOW THESE WARNINGS COULD RESULT IN SERIOUS INJURY.

PLEASE DO NOT USE KNIFE TO OPEN ANY PARTS OF THE BOX OR CHAIR.