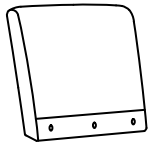


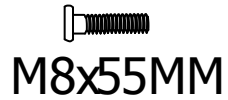
DO-6307

Ax1



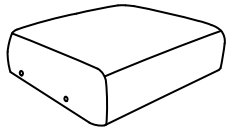
Back

Fx5



Screw

Bx1



Seat

Gx3



Flat washer

Cx2



Handrail

Hx3



Spring washer

Dx1



Front rail

Ix1



M6

Allen key

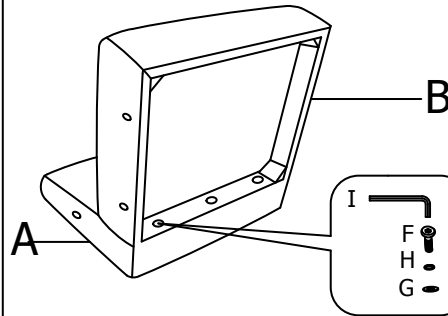
Ex8



M8x40MM

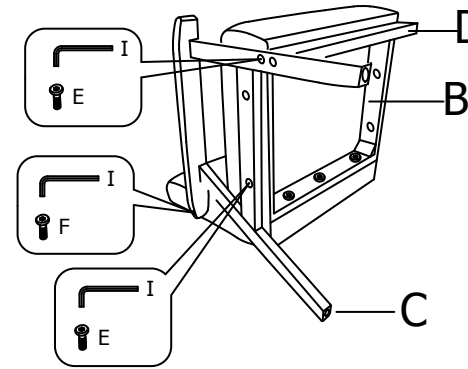
Screw

①



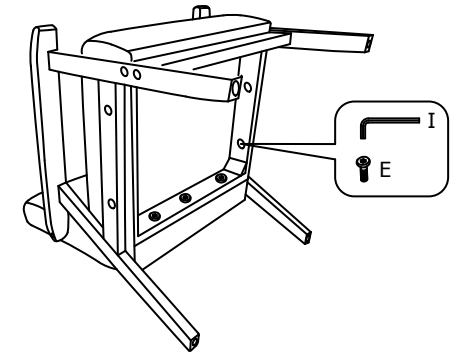
Put the screws in the holes, tighten the screws, but not too tight, 90% is ok.

②



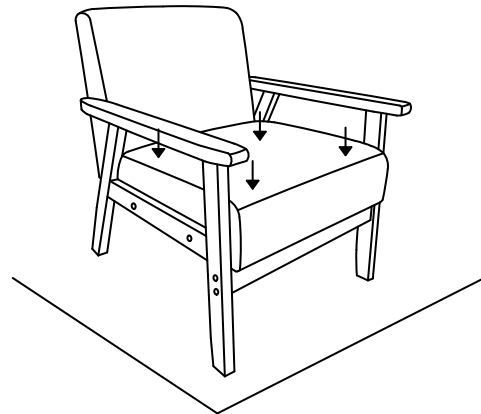
Put the screws in the holes, tighten the screws, but not too tight, 90% is ok.

③



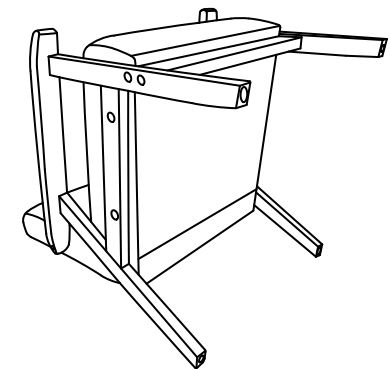
Same as step 2

④



Then adjust balance of this chair, tighten all the screws to 100%.

⑤



Finally, stick the non-woven cover underneath the seat

WARNING:

DO NOT STAND ON THE CHAIR, DO NOT USE THIS CHAIR AS A STEP LADDER.

USE THIS PRODUCT ONLY FOR SEATING ONE PERSON AT A TIME.

DO NOT USE THIS CHAIR UNLESS ALL BOLTS, SCREWS AND KNOBS ARE FIRMLY SECURED.

PLEASE DO NOT USE KNIFE TO OPEN ANY PARTS OF THE BOX OR CHAIR.