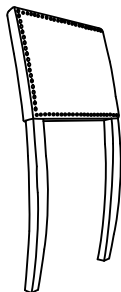


DO-6300

Ax1



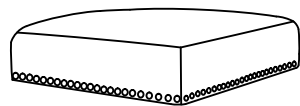
Back

Ex8



Flat washer

Bx1



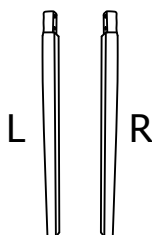
Seat

Fx8



Spring washer

Cx2



Fornt legs

Gx1



M8

Allen key

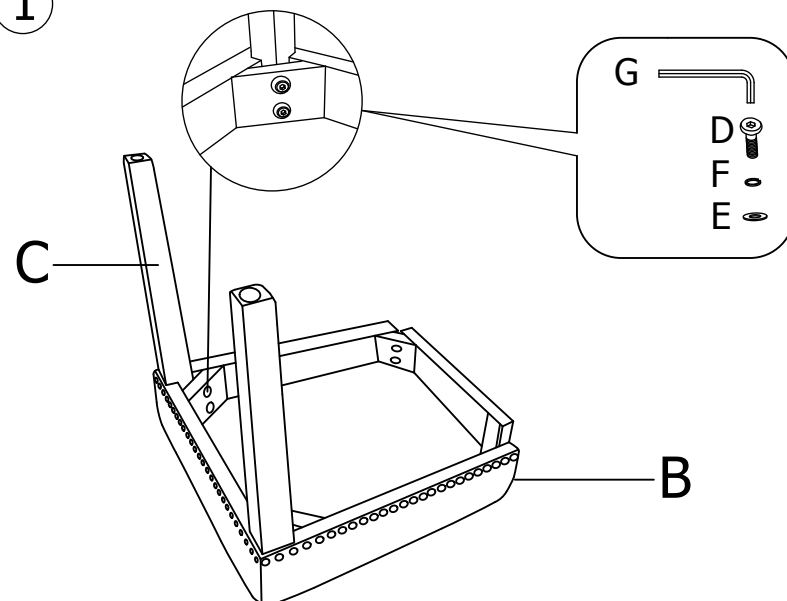
Dx8



M8x65MM

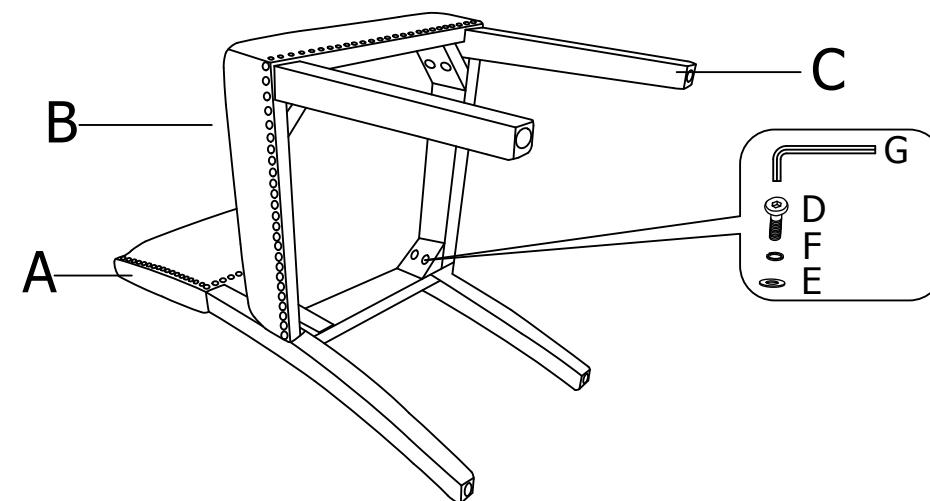
Screw

①



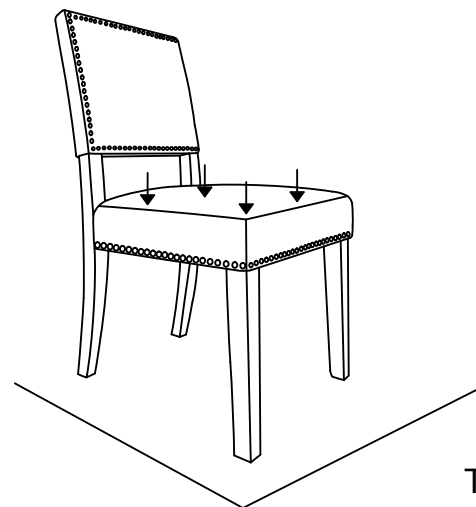
Put the screws in the holes, tighten the screws, but not too tight, 90% is ok.

②



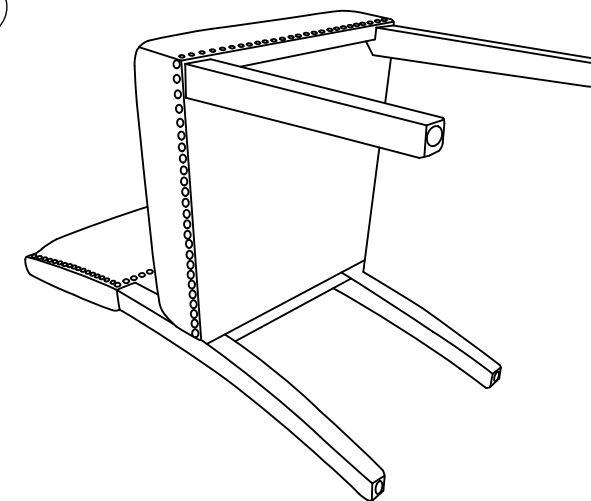
Put the screws in the holes, tighten the screws, but not too tight, 90% is ok.

③



Then adjust balance of this chair, tighten all the screws to 100%.

④



Finally , stick the non-woven cover underneath the seat

WARNING:

DO NOT STAND ON THE CHAIR, DO NOT USE THIS CHAIR AS A STEP LADDER.

USE THIS PRODUCT ONLY FOR SEATING ONE PERSON AT A TIME.

DO NOT USE THIS CHAIR UNLESS ALL BOLTS, SCREWS AND KNOBS ARE FIRMLY SECURED.

PLEASE DO NOT USE KNIFE TO OPEN ANY PARTS OF THE BOX OR CHAIR.