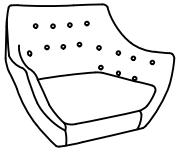


# DO-6273-1

Ax1



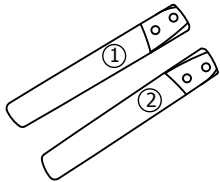
Back

Ex8



Plain cushion

Bx2



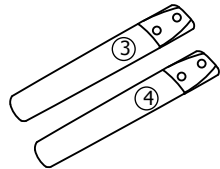
Fornt Legs

Fx8



Shells pad

Cx2



Back Legs

Gx4



Adjust the shackles

Dx8



M8x60MM

Screws

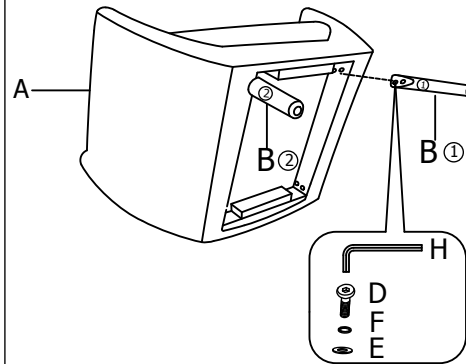
Hx1



M8

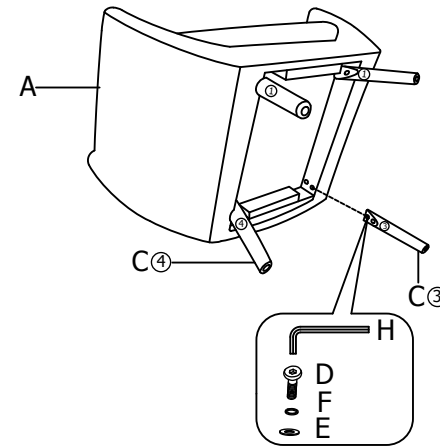
Allen key

①



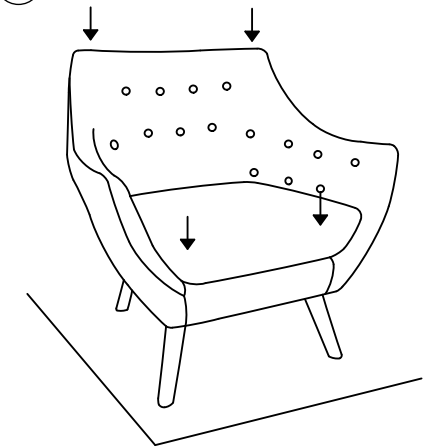
Attach front legs with Screws by Allen key

②



Attach Back legs with Screws by Allen key

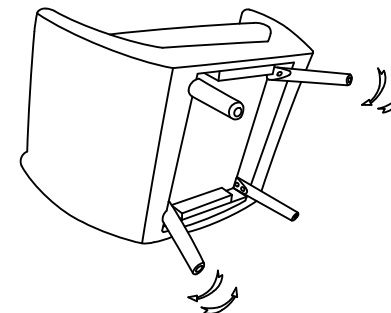
③



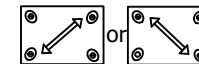
Your chair is ready

Note:  
This step is only for uneven floor (Balancing the chair)

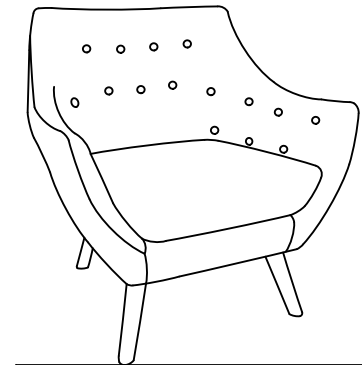
①



Please adjust the shackles in between the leg and the seat to balance the chair for uneven floor uneven side of the chair (on 2 diagonal legs)



②



Your chair is ready

## WARNING:

DO NOT STAND ON THE CHAIR, DO NOT USE THIS CHAIR AS A STEP LADDER.

USE THIS PRODUCT ONLY FOR SEATING ONE PERSON AT A TIME.

DO NOT USE THIS CHAIR UNLESS ALL BOLTS, SCREWS AND KNOBS ARE FIRMLY SECURED.

PLEASE DO NOT USE KNIFE TO OPEN ANY PARTS OF THE BOX OR CHAIR.