

ASSEMBLY INSTRUCTIONS

ITEM NO: DINING TABLE

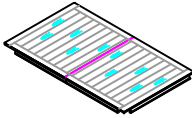

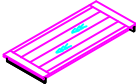
Read instruction carefully prior for assembly

Thank you for purchasing this product . Be sure to check all packing material carefully for small parts that may have come loose inside the carton during shipment .





Remove all components from pack and place on soft surface to prevent scratch during assembly. Identify and count all parts as specified below

It is recommended to use two people during the assembly process.

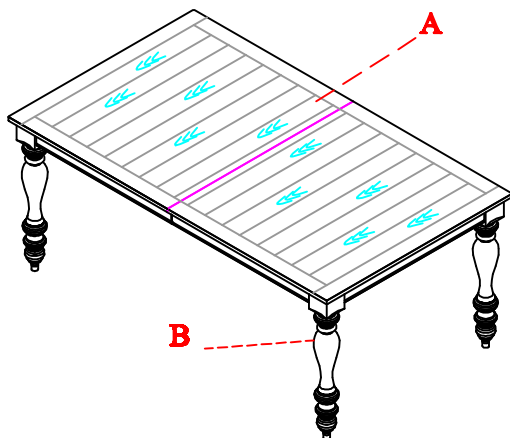
PARTS LIST:

No.	Description	Quantity
A	Table Top 	1PC
B	Leg 	4PCS
C	Leaf 	1PC

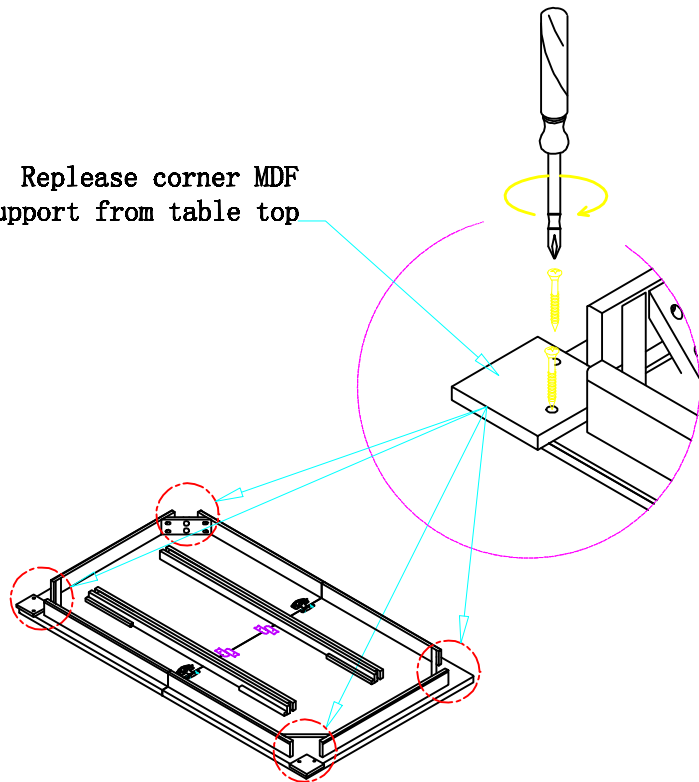
HARDWARE LIST:

No.	Description	Sketch	Size	Quantity
H1	Lock Washer		Ø 5/16"	8 Pcs
H2	Flat Washer		Ø 5/16"	8 Pcs
H3	Hex Nut		Ø 5/16"	8 Pcs
H4	Open Wrench		10mm	1 Pc

STEP 1:



Release corner MDF support from table top

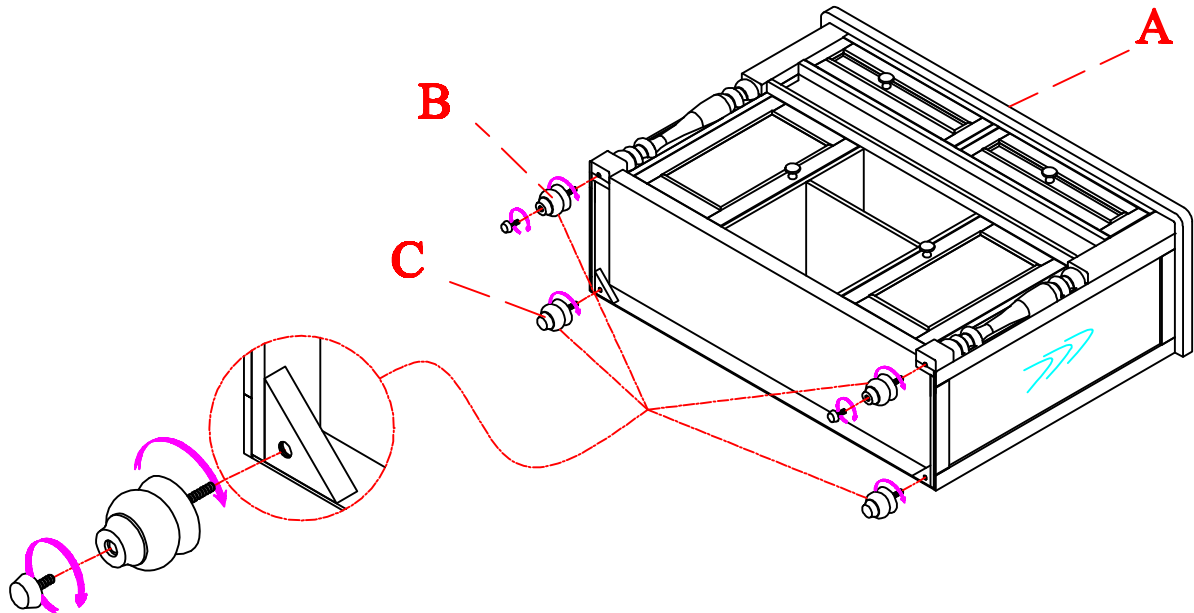


STEP 1 : Turn Table top upside down and put on soft surface such as carpet or cloth and then take out wood protect on table top using by phillips screw driver (not included).

ASSEMBLY INSTRUCTIONS

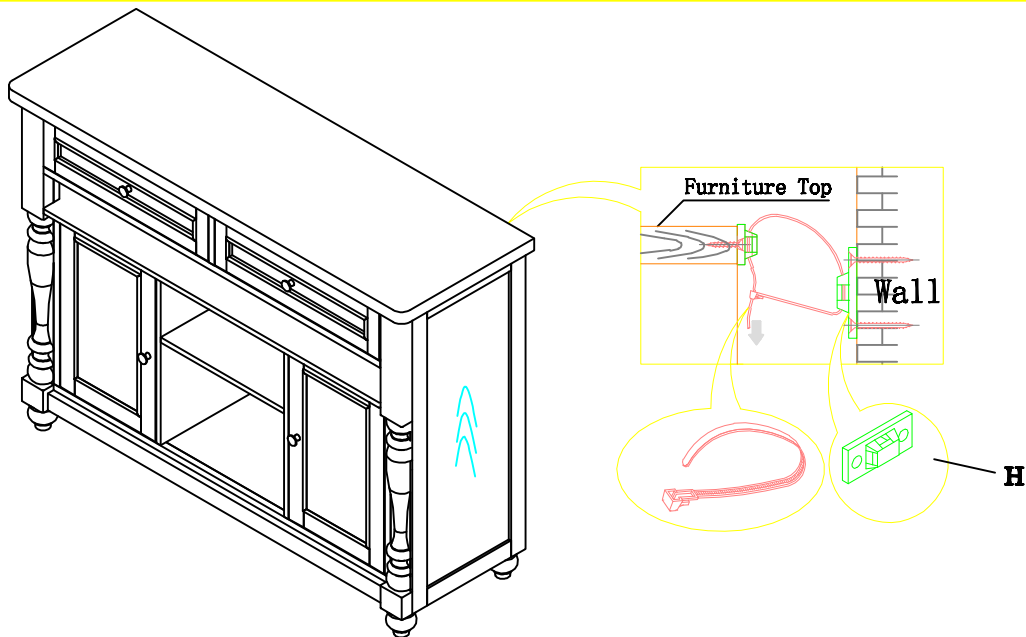
ITEM NO: SERVER

STEP 1:



Step 1: Attach Front (B) and Back Bunfeet (C) to Server (A)

STEP 2:



Step 2: Attach tipping restraint to Wall .

The tipping restraint must be attached at back of Server above and on the right .