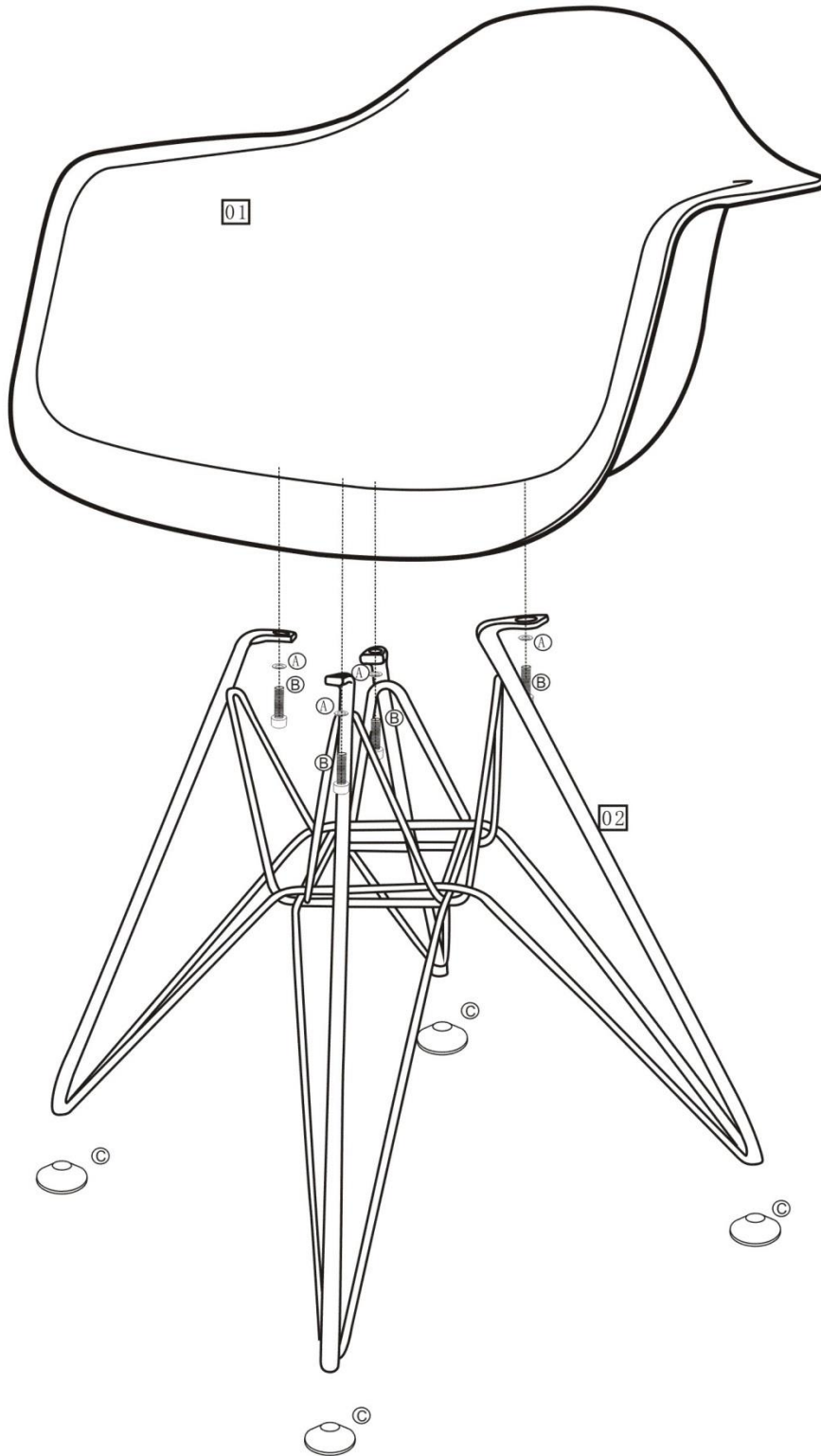


## COMPONENT PARTS

## FITTINGS



Ⓐ



x4

Ⓑ



x4

Ⓒ



x4

## COMPONENT CHECKLIST

PART	No.	Qty.	
Seat	01	1	<input type="checkbox"/>
tube	04	1	<input type="checkbox"/>

## TOOLS REQUIRED



Allen key (supplied)