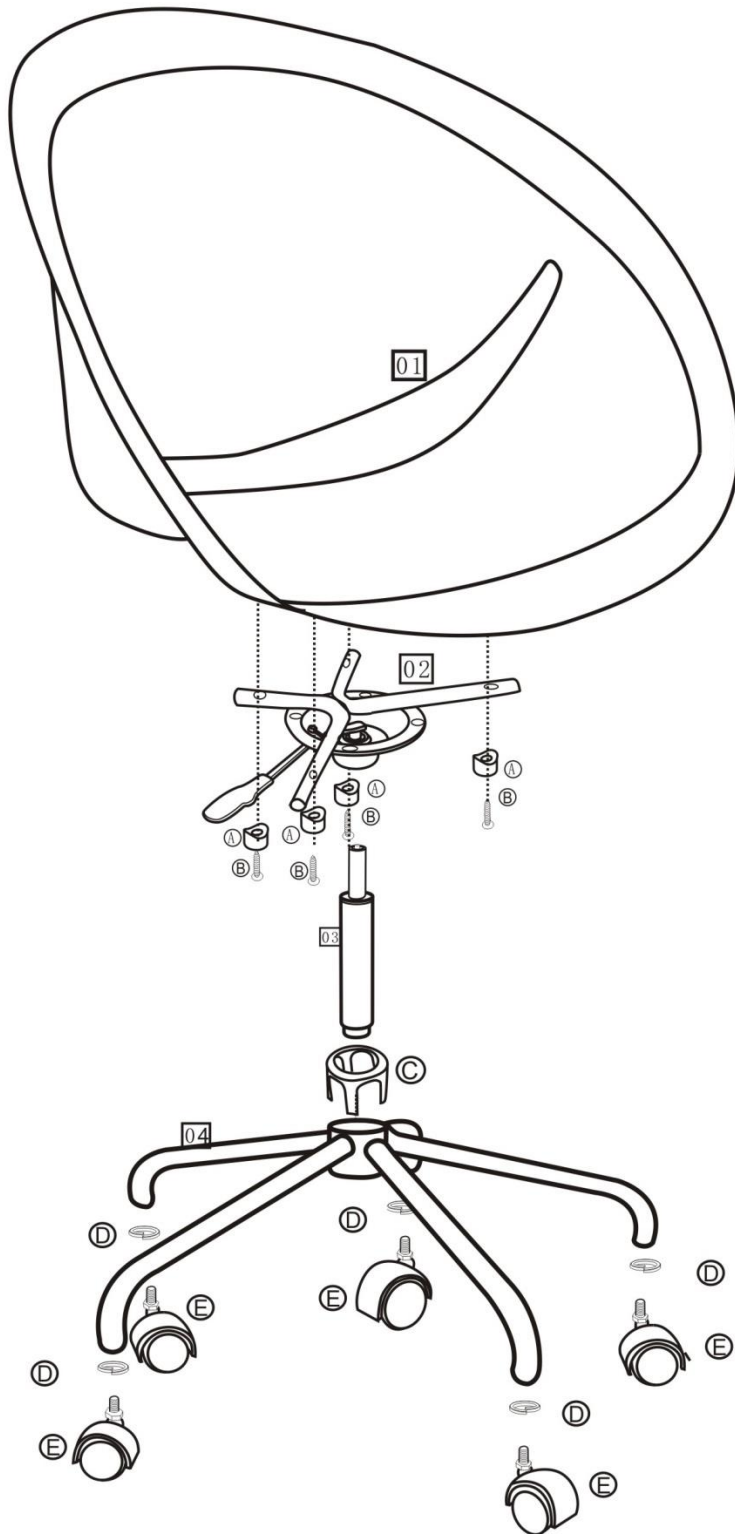







COMPONENT PARTS

FITTINGS



Ⓐ		X4
Ⓑ		X4
Ⓒ		X1
Ⓓ		X5
Ⓔ		X5

COMPONENT CHECKLIST

PART	No.	Qty.	
Seat	01	1	<input type="checkbox"/>
Bar	02	1	<input type="checkbox"/>
Lift	03	1	<input type="checkbox"/>
Leg	04	1	<input type="checkbox"/>

TOOLS REQUIRED



Spanner (supplied)