

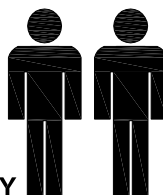
MODEL NAME:

DC 8760-03

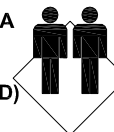
90min

APPROXIMATE ASSEMBLY TIME

2 PEOPLE FOR ASSEMBLY

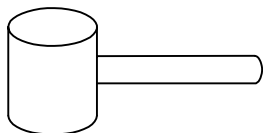


FLOOR AREA
2.2M X 1.0M
(FLAT BUILD)

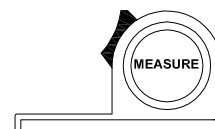
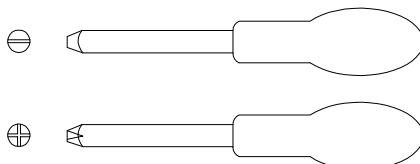


CEILING HEIGHT
2.2M

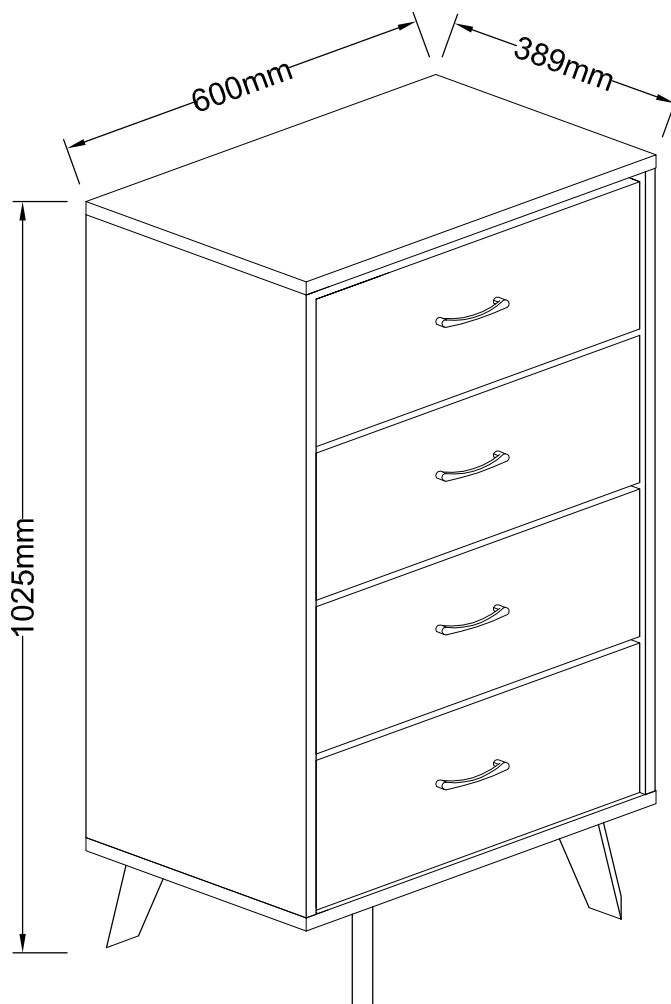
REQUIRED ASSEMBLY SPACE



REQUIRED ASSEMBLY TOOLS



ASSEMBLED DIMENSIONS



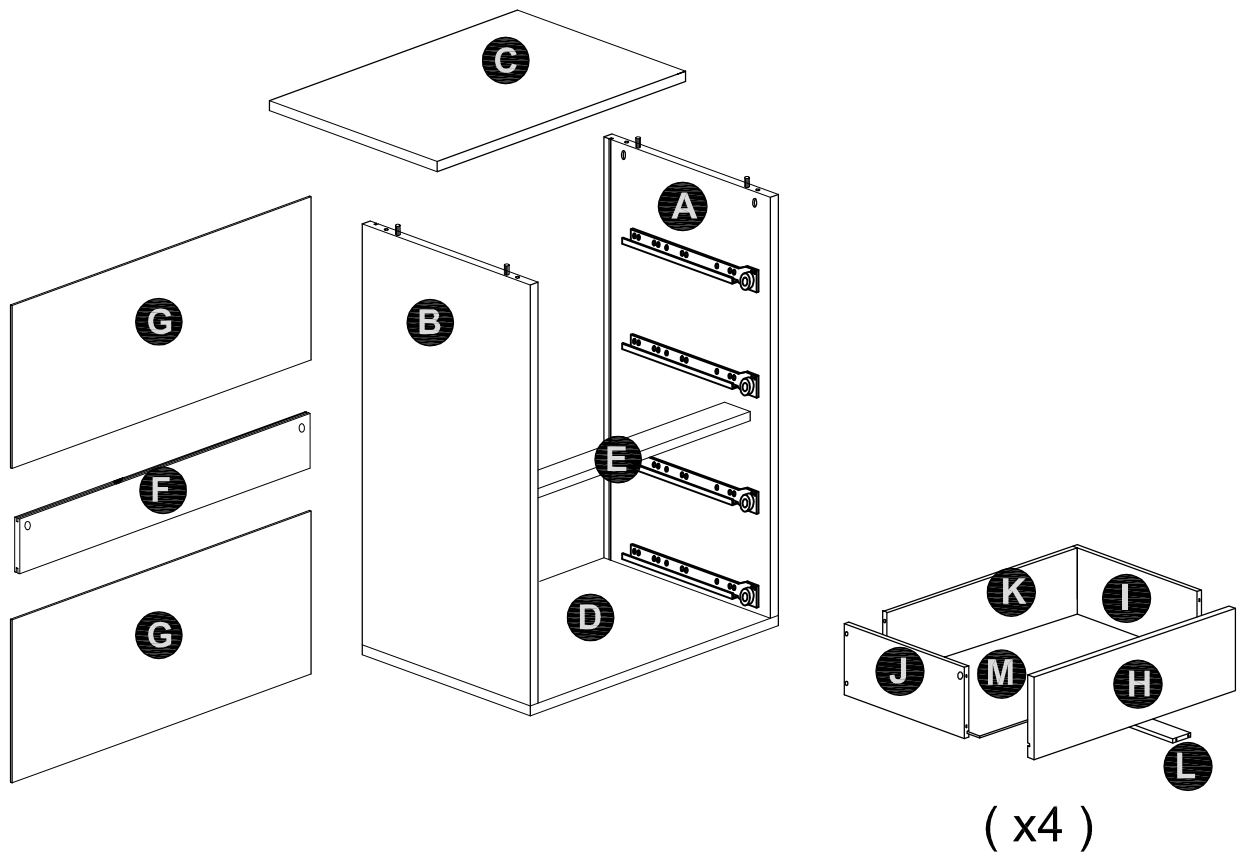
NOTE : THE MAXIMUM WEIGHT THIS PRODUCT CAN HOLD UP TO IS 25 KGS.

MODEL NAME:

DC 8760-03

| NO. | PART LIST | QTY | NO. | PART LIST | QTY |
|------------|------------------|------------|------------|-----------------------|------------|
| (A) | RIGHT SIDE PANEL | 1 | (H) | DRAWER FRONT | 4 |
| (B) | LEFT SIDE PANEL | 1 | (I) | DRAWER SIDE (RIGHT) | 4 |
| (C) | TOP PANEL | 1 | (J) | DRAWER SIDE (LEFT) | 4 |
| (D) | BOTTOM PANEL | 1 | (K) | DRAWER BACK PANEL | 4 |
| (E) | CENTRE SUPPORT | 1 | (L) | DRAWER BOTTOM SUPPORT | 4 |
| (F) | BACK SUPPORT | 1 | (M) | DRAWER BASE | 4 |
| (G) | BACK PANEL | 2 | | | |

PARTS LIST



MODEL NAME:

DC 8760-03

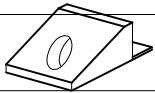
HARDWARE LIST

3cm

2cm

1cm

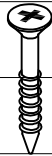
0cm



8X

1

BACKPLY
STOPPER

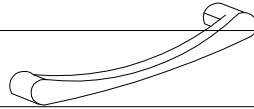


8X

2

M3 x 20mm

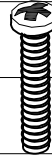
FLAT HEAD
SCREW



4X

3

HANDLE

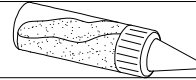


8X

4

M4 x 19mm

PAN HEAD
SCREW



1X

5

GLUE 10CC



8X

Dia.15mm

6

LARGE
CAMLOCK



8X

Dia.15mm

7

SMALL
CAM-LOCK

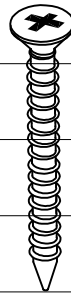


16X

M6.5

8

QUICKFIT



4X

M8 x 38mm

9

FLAT HEAD
SCREW



28X

Dia.6 x 30mm

10

WOOD
DOWEL



24X

M3.5 x 25mm

11

FLAT HEAD
SCREW

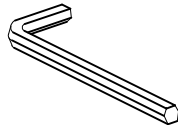


10X

M8 x 50mm

12

FLAT HEAD
SCREW

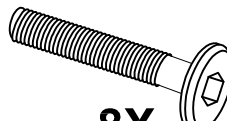


1X

M4

13

ALLEN KEY



8X

M6 x 70mm

14

ALLEN HEAD
BOLT



8X

M6-RB

15

SPRING
WASHER



8X

1/4 x 19-RB

16

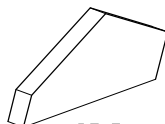
FLAT
WASHER



2X

17

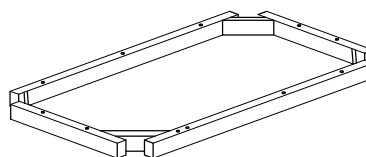
ANTI TIP
STRAP



4X

18

185 x 65 x T31mm
LEG



1X

19

WOODEN FRAME

MODEL NAME:

DC 8760-03

Top Tips before you start!

1. Please check that all parts are present before you start the assembly of your furniture.
2. For ease and speed of assembly, we recommend that before you commence each step of the assembly, that you identify all the parts required for that step.
3. For larger items, please ensure that you have sufficient space and people (as indicated on page 1) to assemble your product safely
4. We recommend that, where possible, all items are assembled near to the area in which they will be placed in use, to avoid moving the product unnecessarily once assembled.
5. For the protection of your furniture, particularly items of high gloss finish, we recommend that the product is placed on a protected surface during assembly to prevent any damage.
6. Caution - Electric / Battery operated screw driver NOT RECOMMENDED.
7. During assembly please take care not to over-tighten any fittings, as this may damage the product.
8. Always place the product on a flat, steady and stable surface.
9. Do not sit or stand on the product.
Do not use the product as a stepladder.
10. This product is intended for indoor, household use only as it is non industrial product.
11. This product is constructed from re-inforced hollow board. Excessive pressure cause irreparable damage. Please do not kneel on any part of this product during assembly.

Care and Maintenance of your Furniture

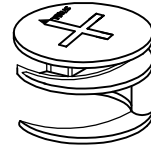
- Please periodically check all fittings and re-tighten as necessary.
- To clean your item, please use a damp cloth and wipe clean.
- Never allow any kind of liquid to remain on your furniture.
- Please do not place hot items (e.g. hot drinks) directly on to the wood surface.
- Please do not drag and pull your furniture.

MODEL NAME:

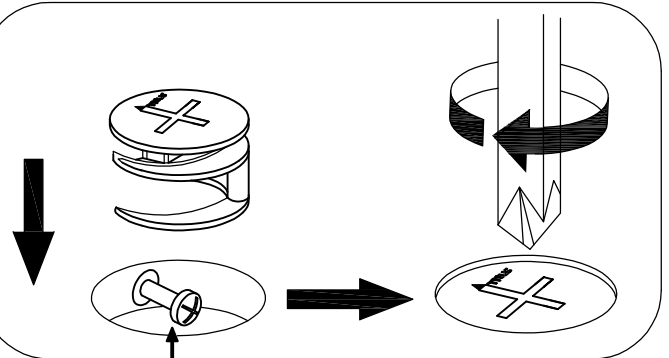
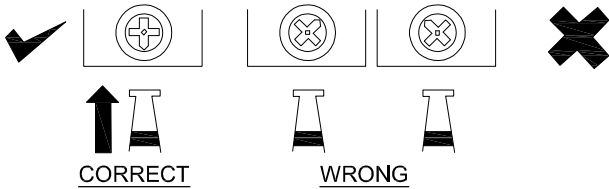
DC 8760-03

SPECIAL TIPS FOR FITTING CAM-LOCKS AND CAM BOLT

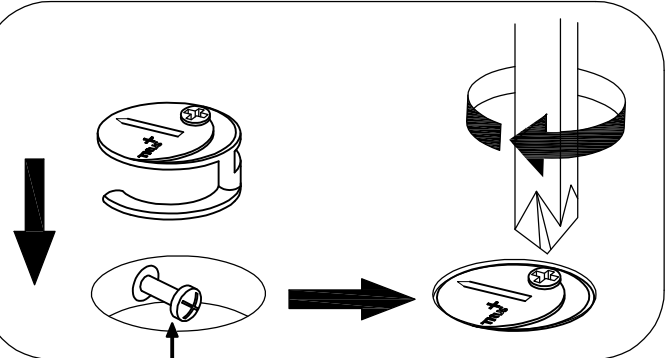
CAM-LOCK



WHEN FITTING CAM-LOCK
ENSURE STARTING POSITION IS CORRECT
BEFORE YOU INSERT CONNECTING CAM BOLT
TURN CLOCKWISE UNTIL SECURE



Cam bolt head needs to be in centre



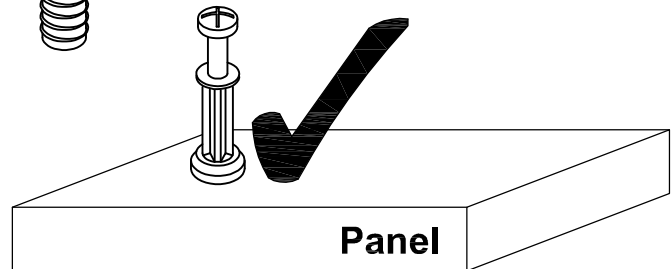
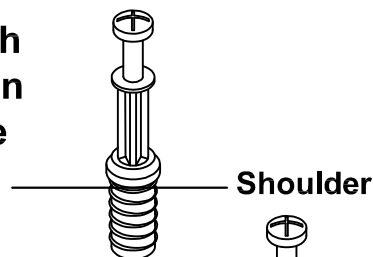
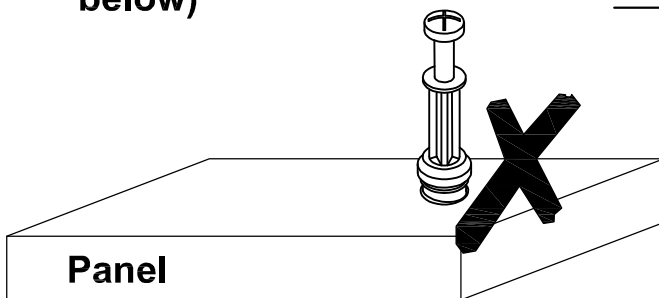
Cam bolt head needs to be in centre

DRAWER
CAM-LOCK



CAM BOLT

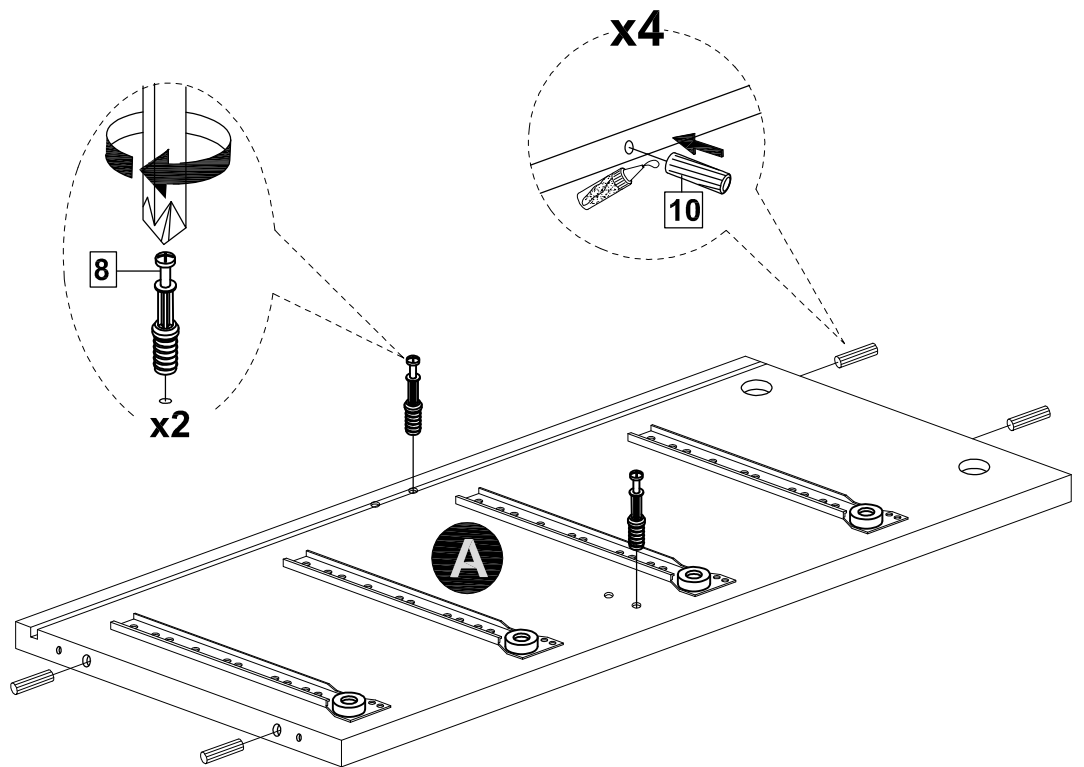
Tighten until shoulder is flush with panel. Do not overtighten or undertighten (see example below)



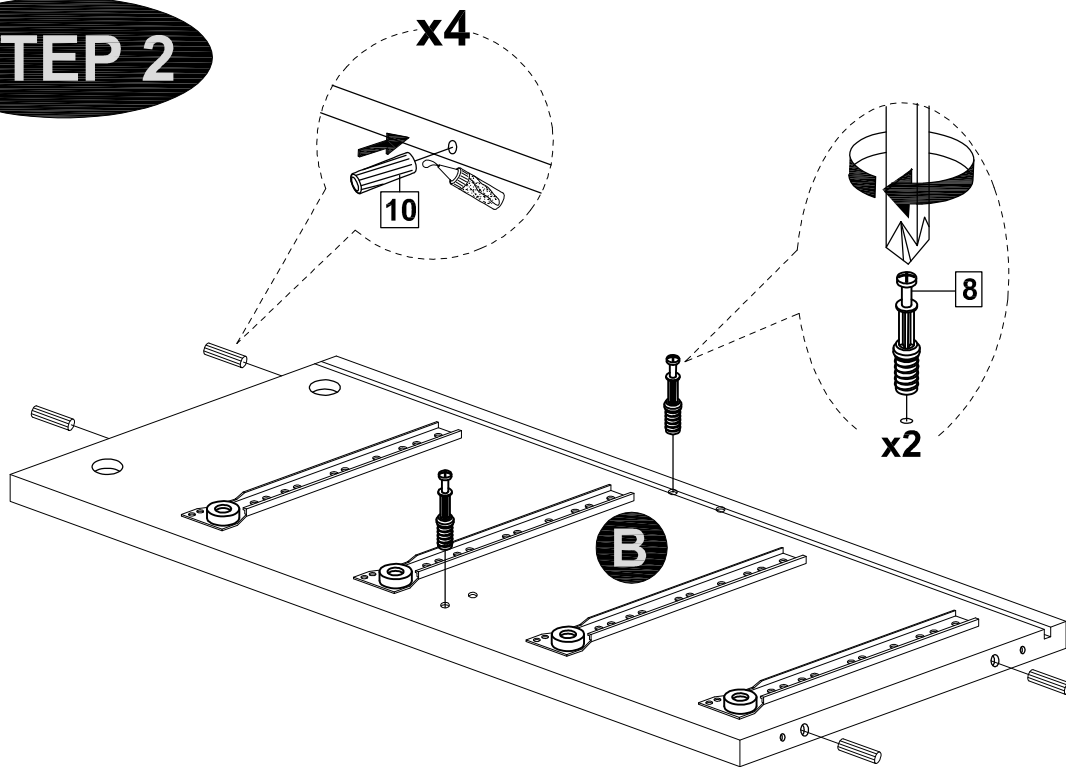
MODEL NAME:

DC 8760-03

STEP 1



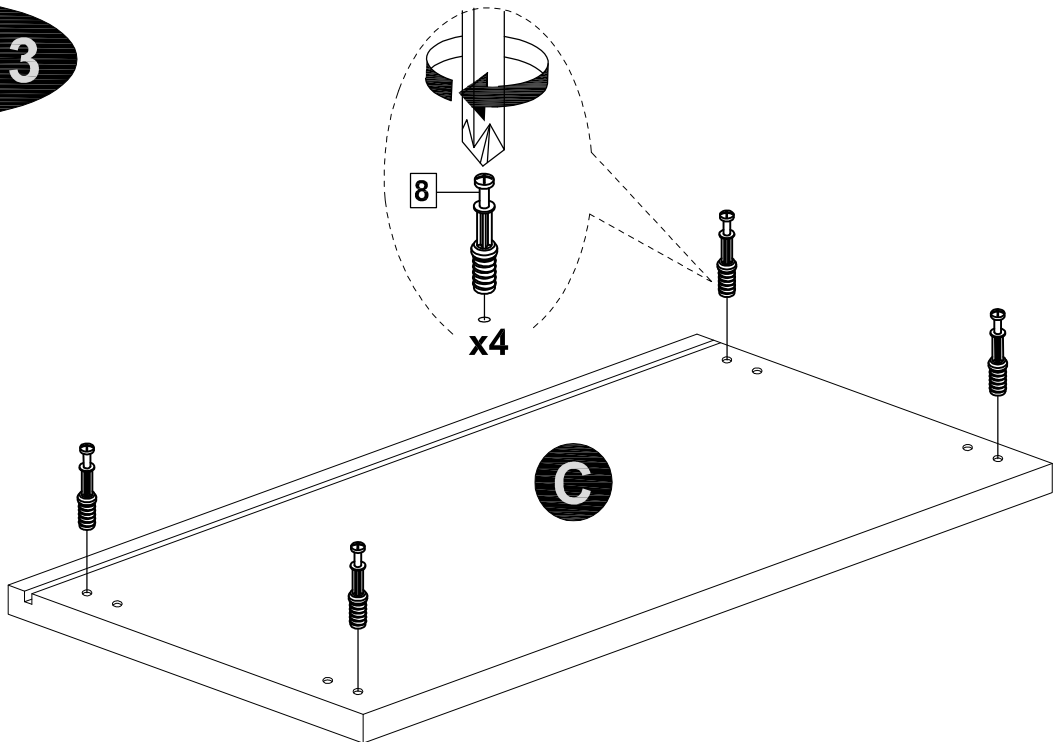
STEP 2



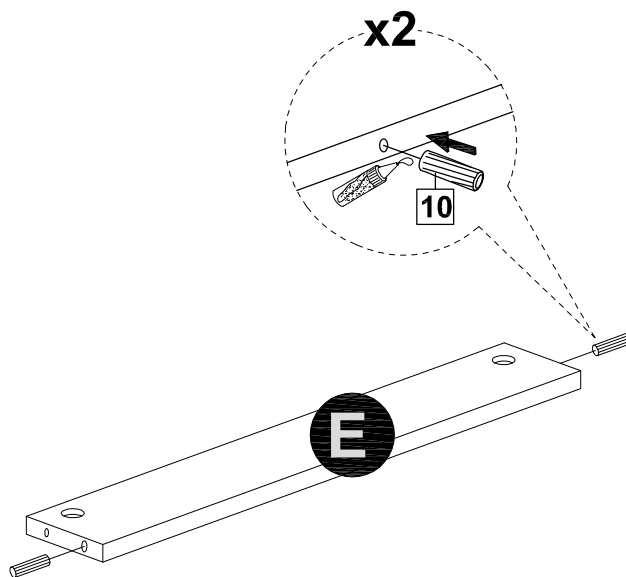
MODEL NAME:

DC 8760-03

STEP 3



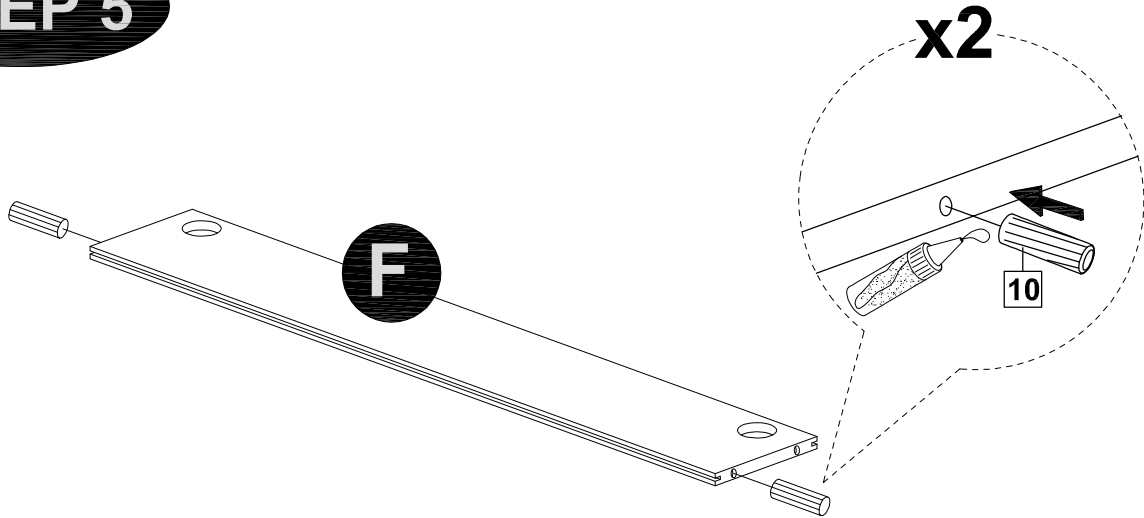
STEP 4



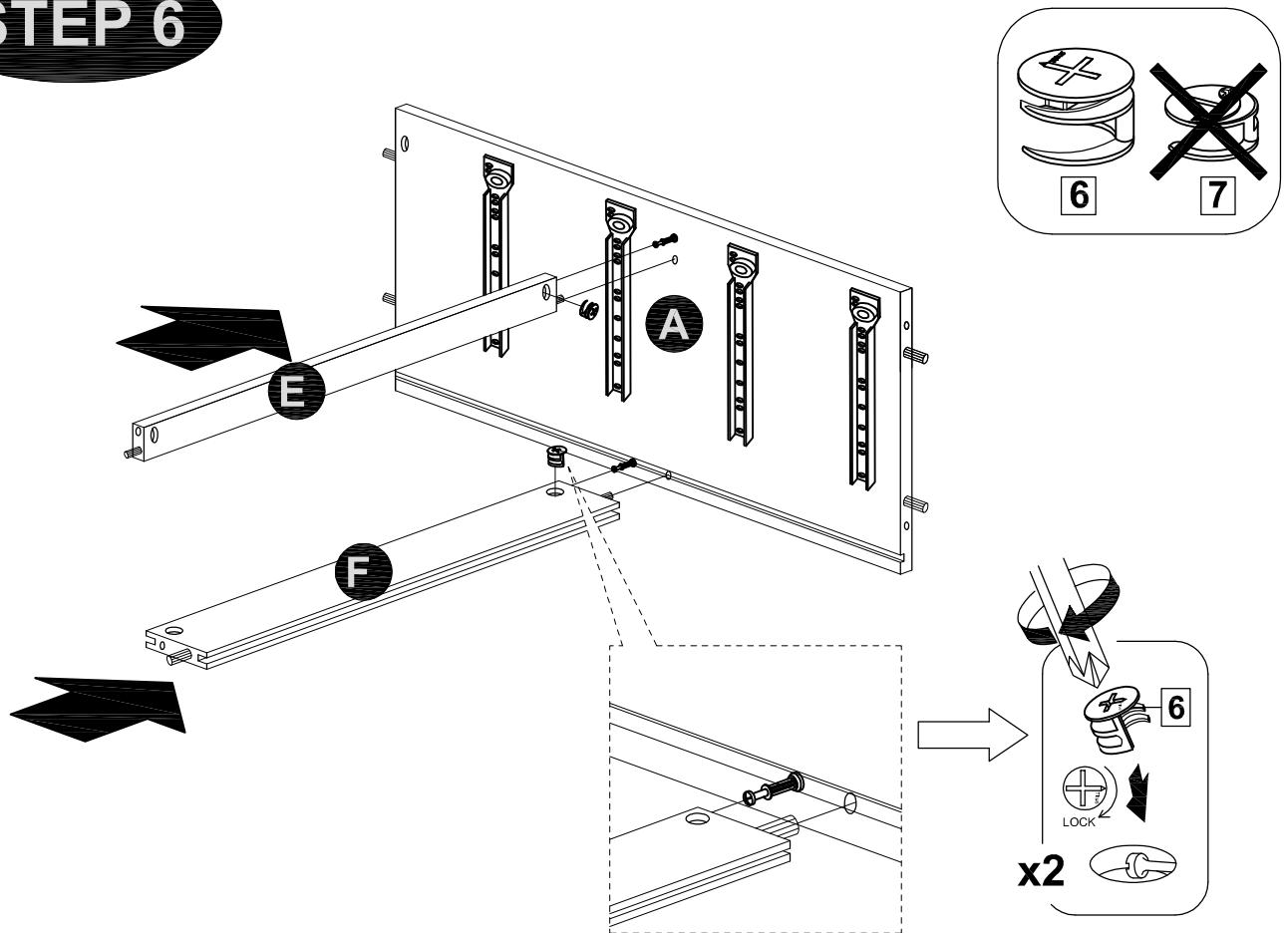
MODEL NAME:

DC 8760-03

STEP 5



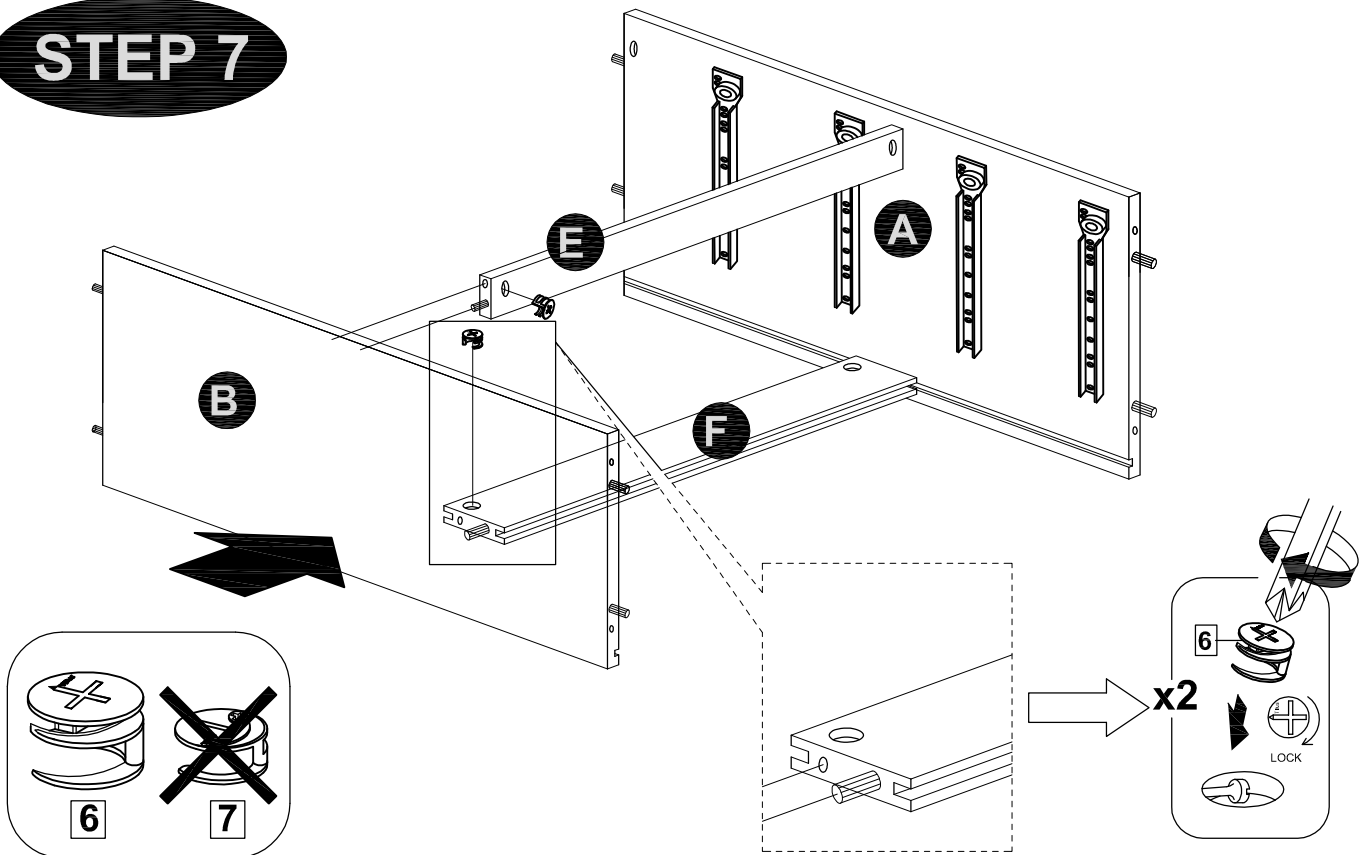
STEP 6



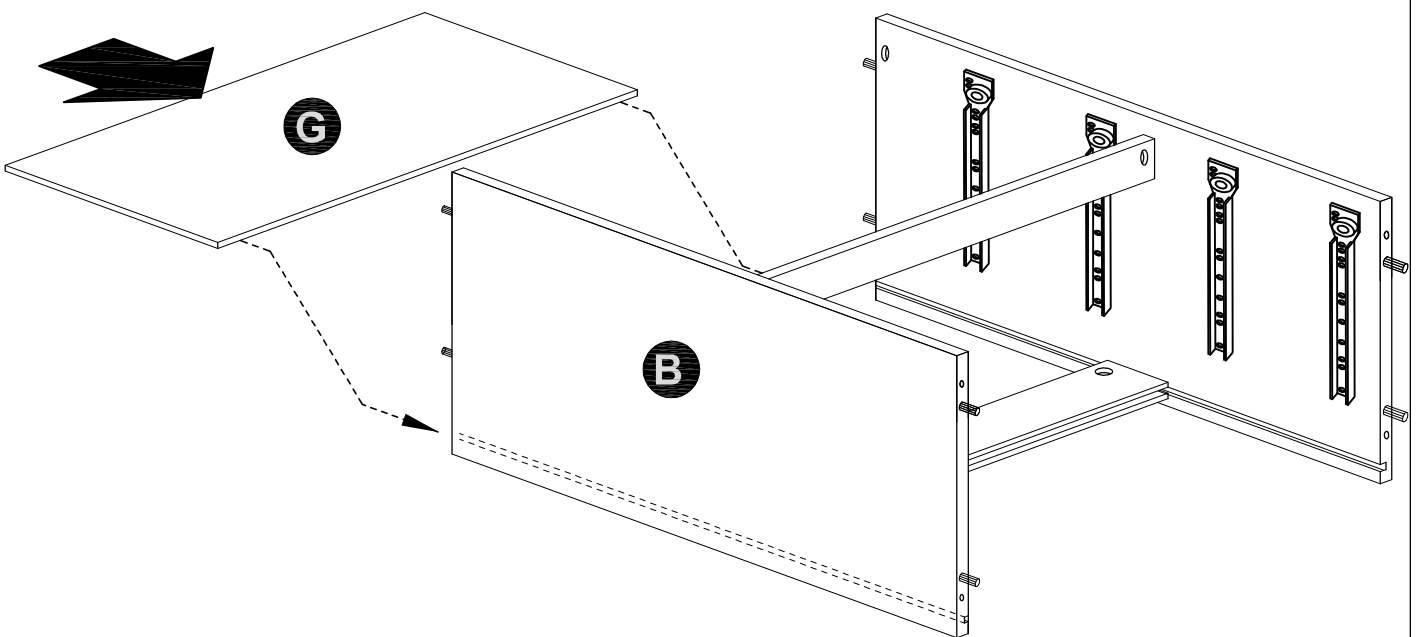
MODEL NAME:

DC 8760-03

STEP 7



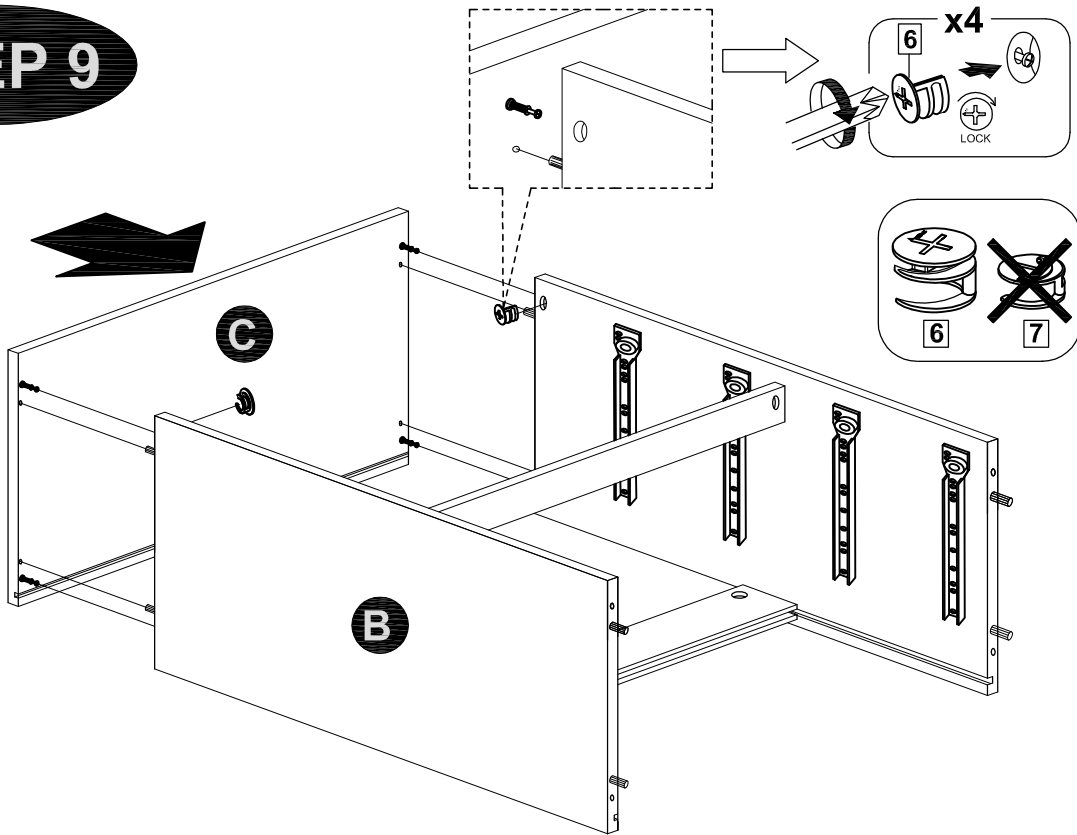
STEP 8



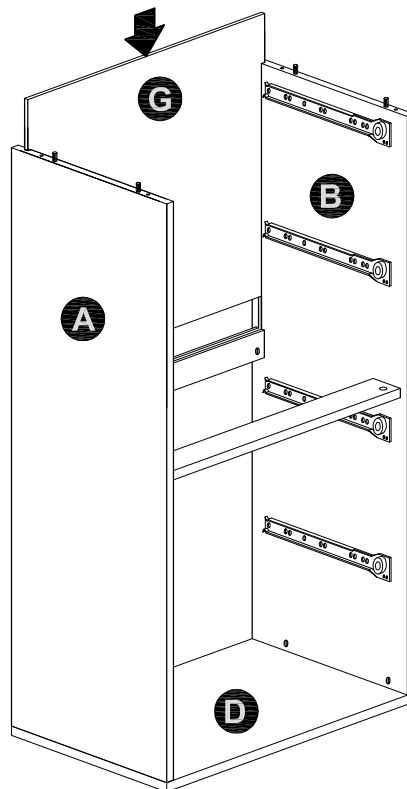
MODEL NAME:

DC 8760-03

STEP 9



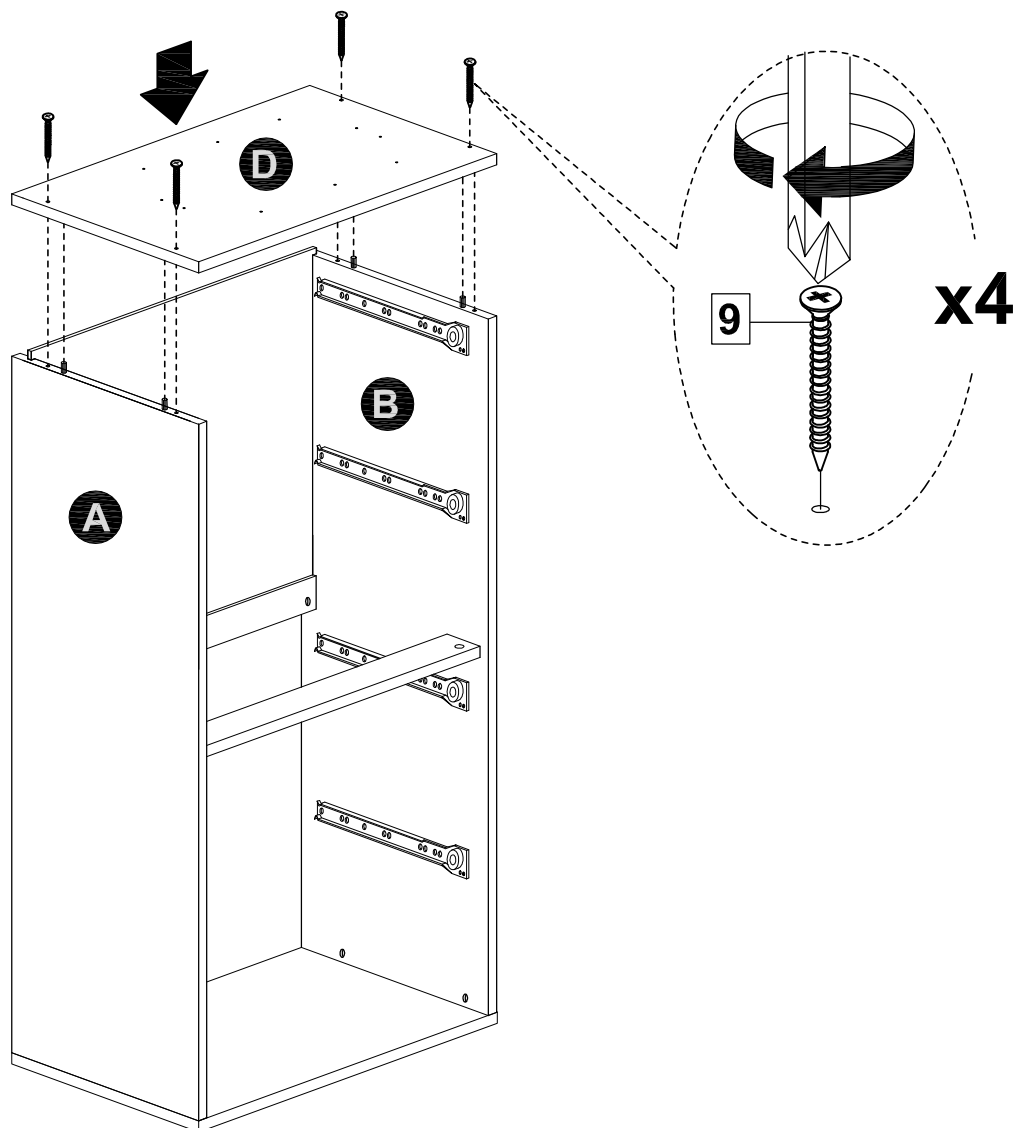
STEP 10



MODEL NAME:

DC 8760-03

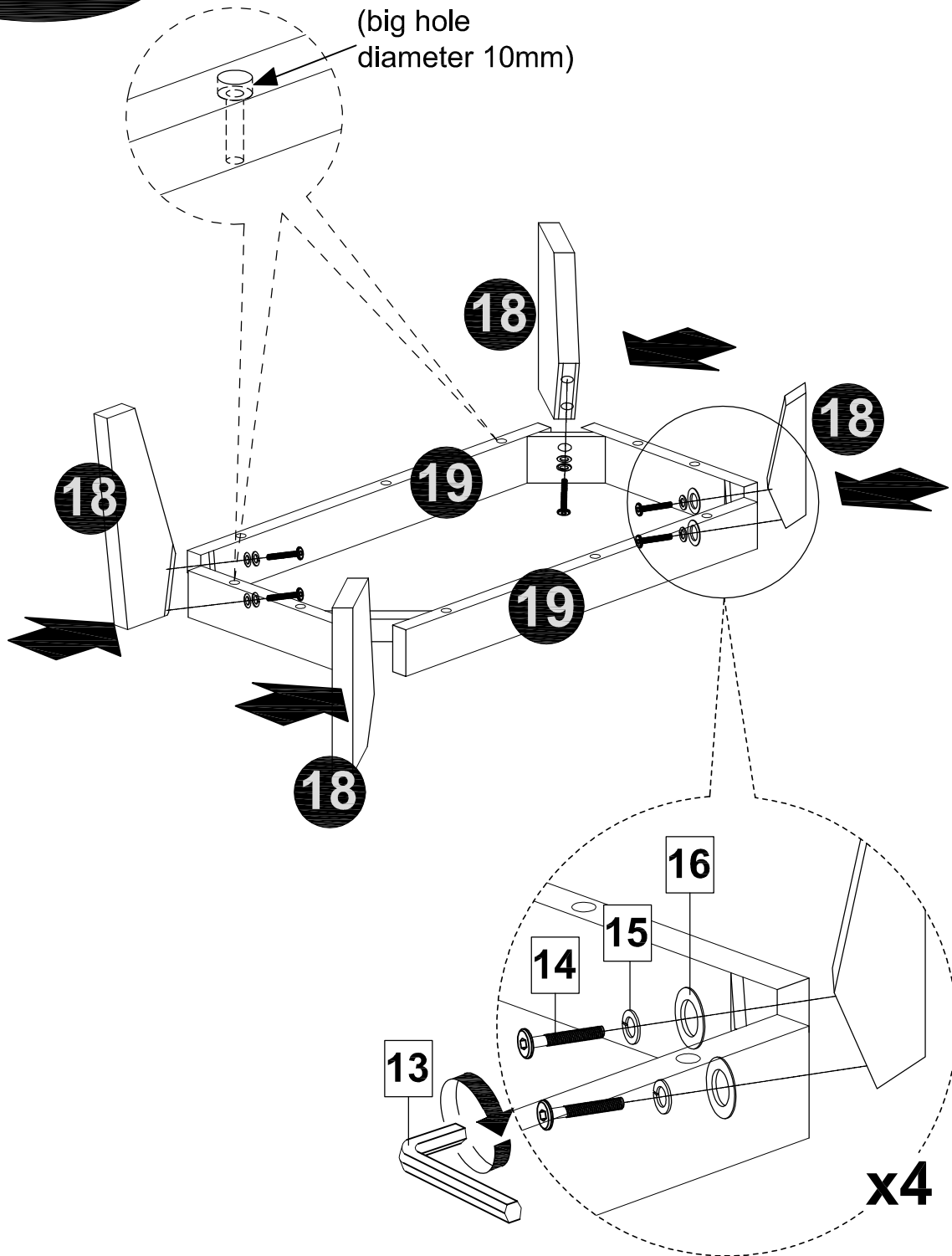
STEP 11



MODEL NAME:

DC 8760-03

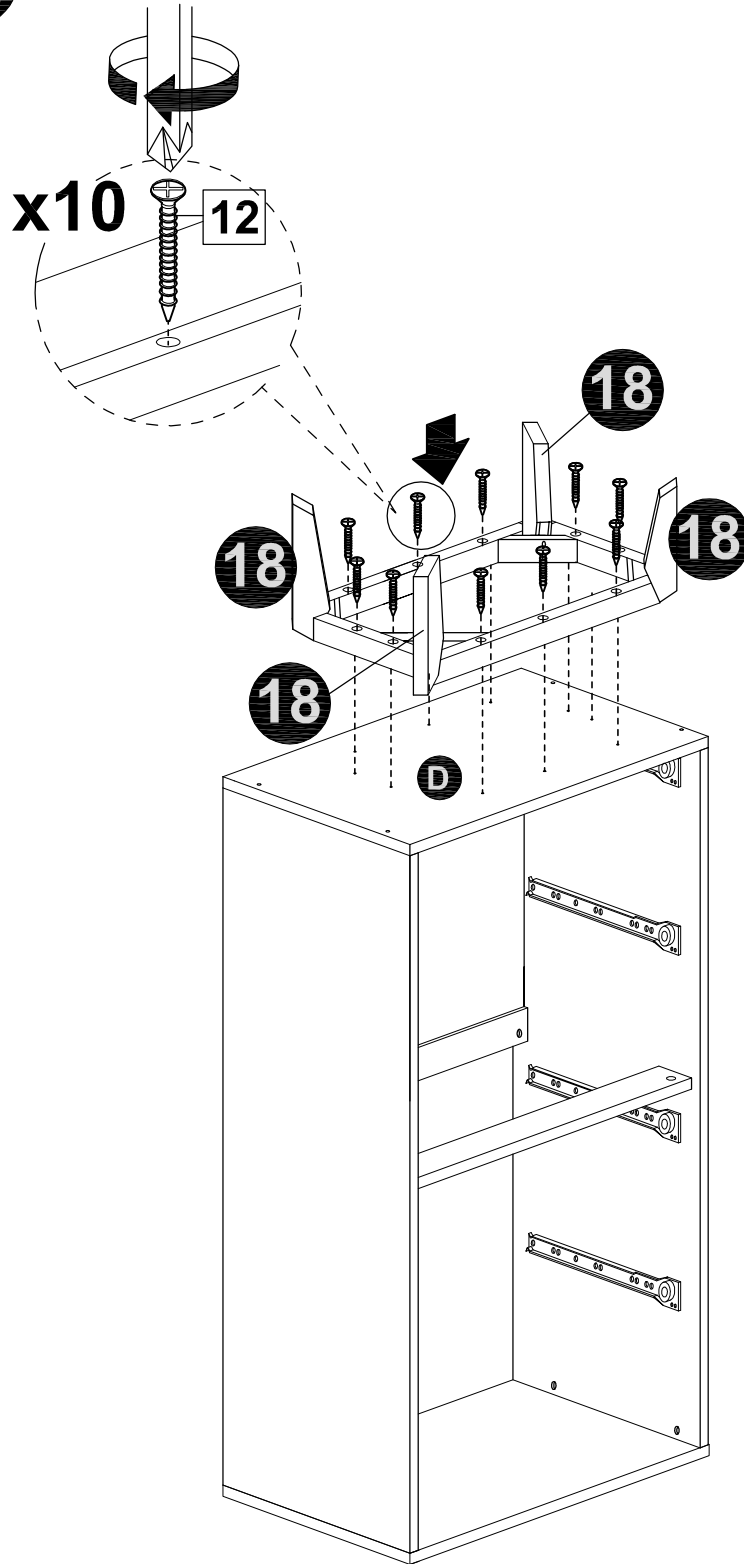
STEP 12



MODEL NAME:

DC 8760-03

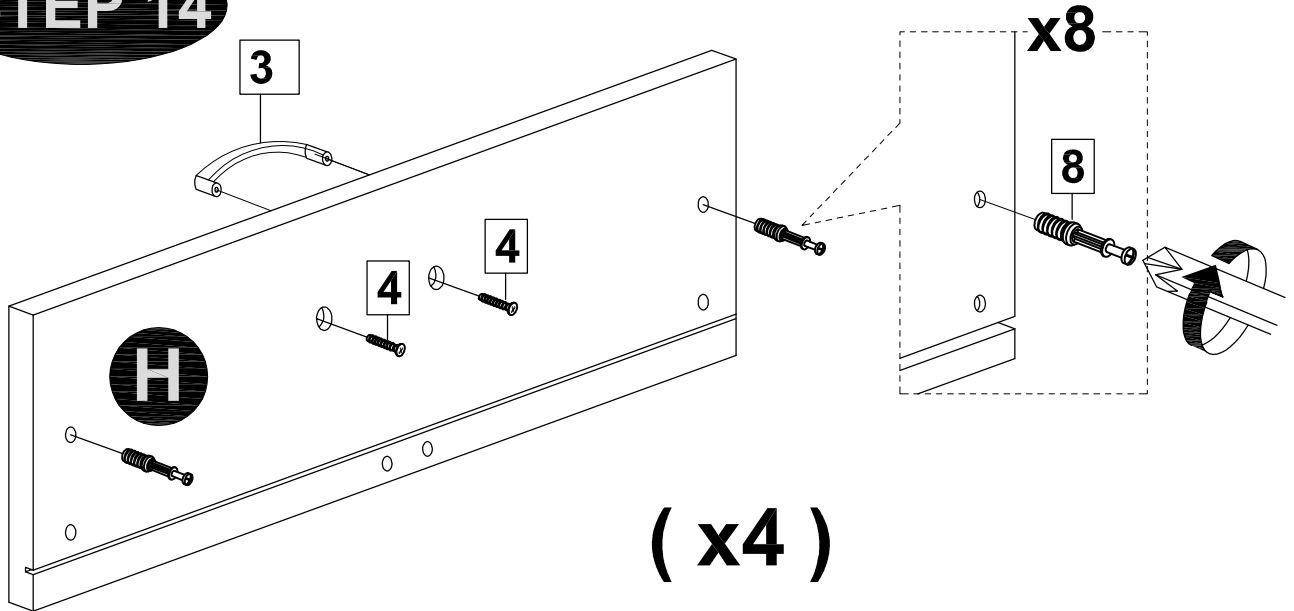
STEP 13



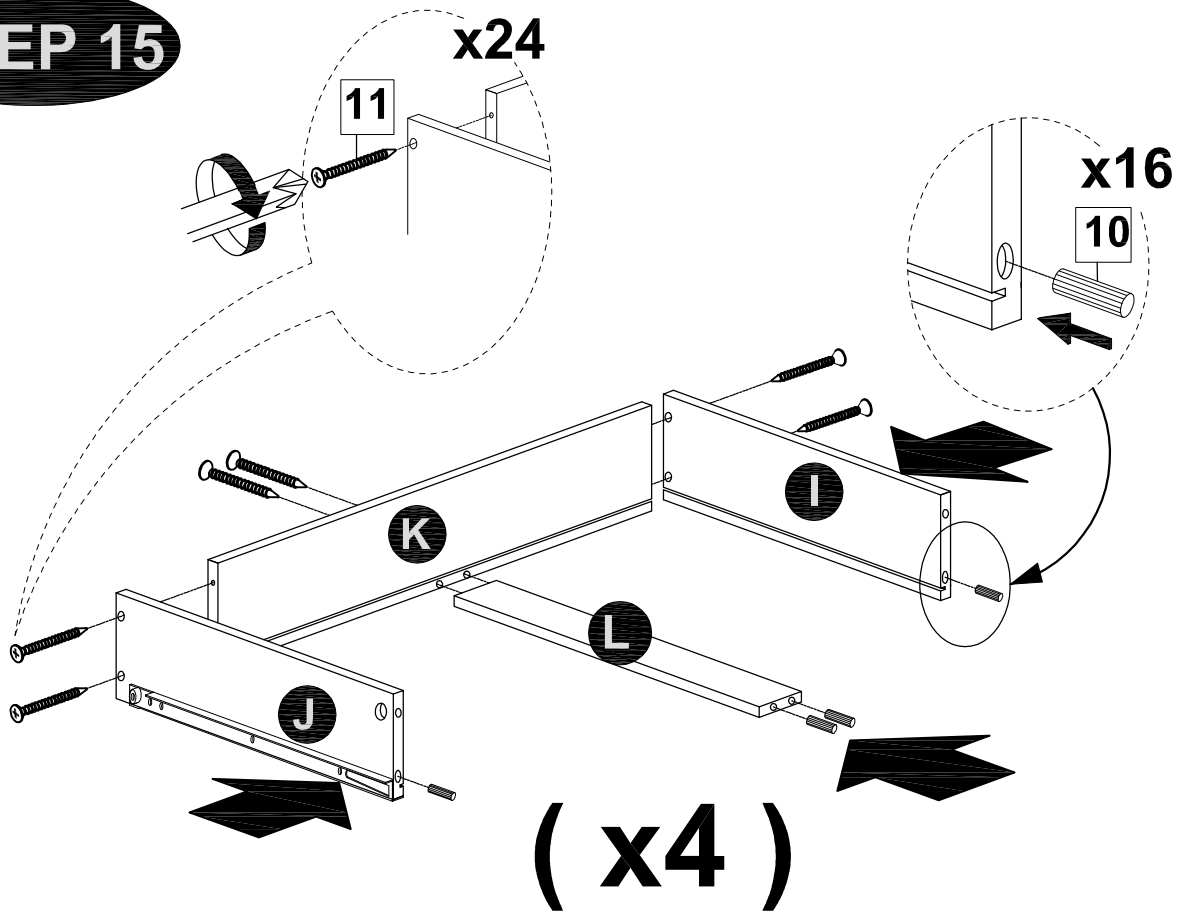
MODEL NAME:

DC 8760-03

STEP 14



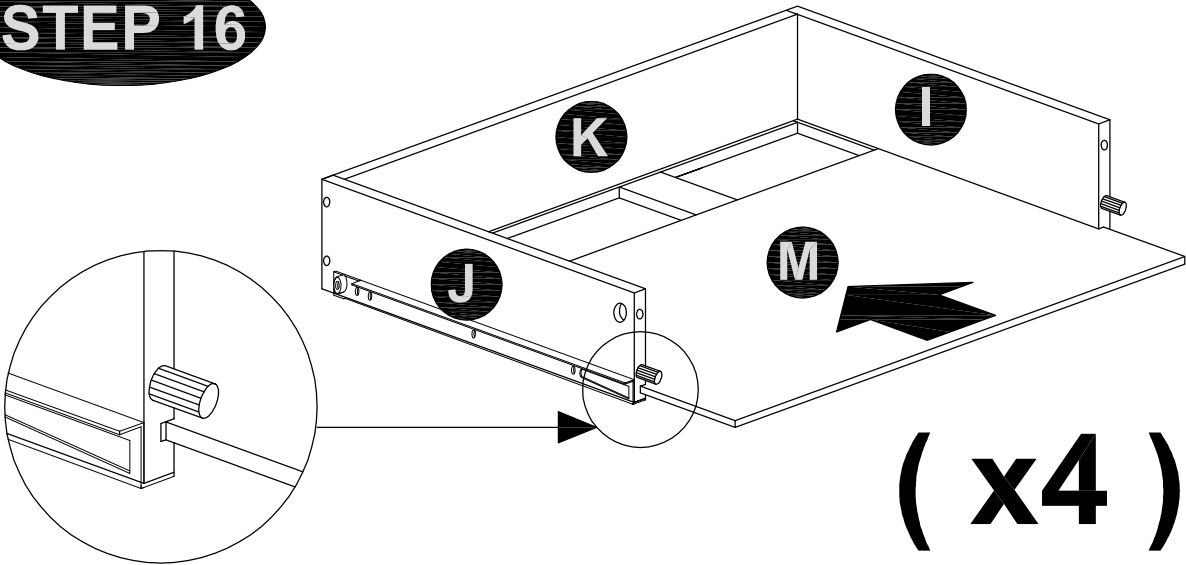
STEP 15



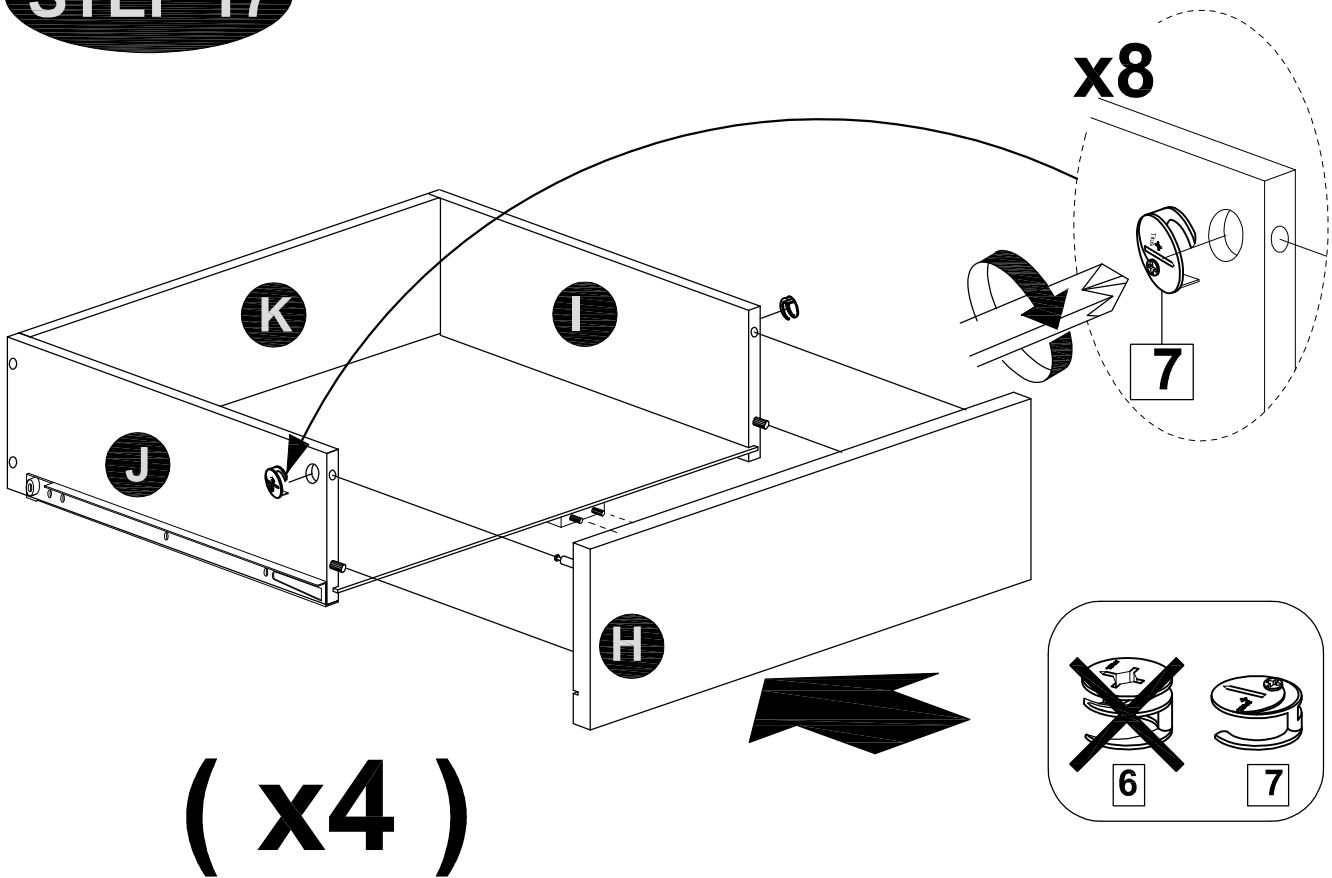
MODEL NAME:

DC 8760-03

STEP 16



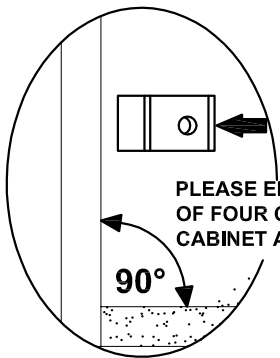
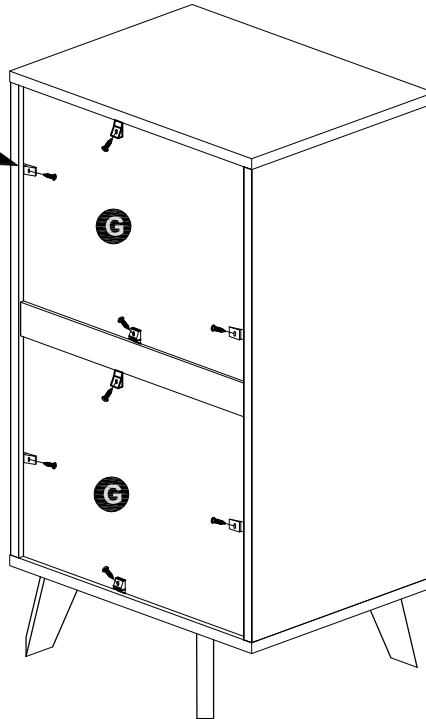
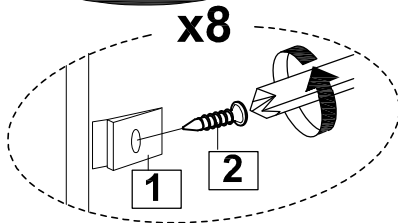
STEP 17



MODEL NAME:

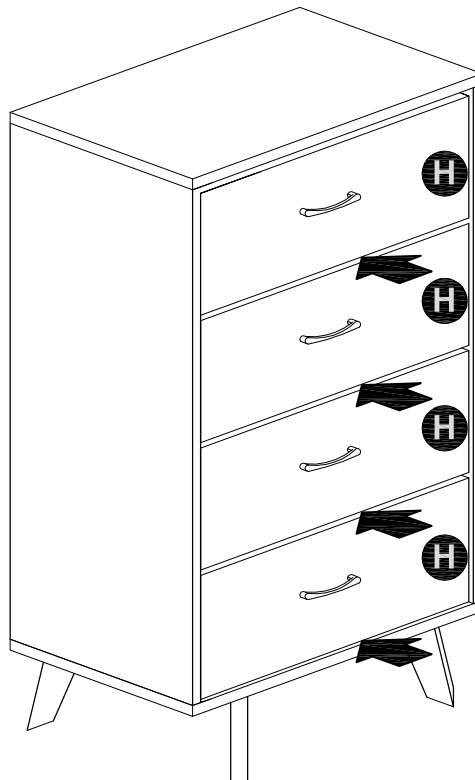
DC 8760-03

STEP 18



PLEASE ENSURE THAT EACH OF FOUR CORNERS OF CABINET ARE SQUARE

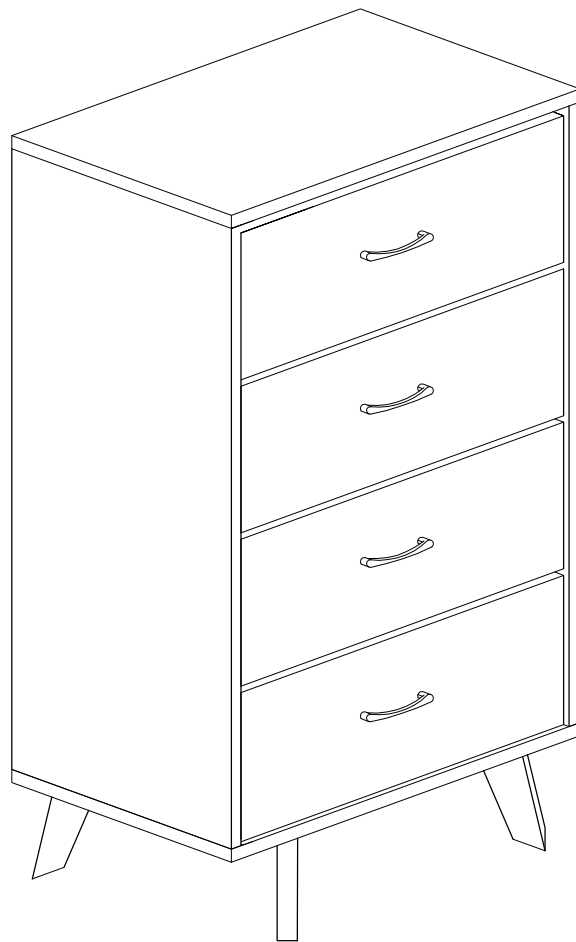
STEP 19



MODEL NAME:

DC 8760-03

STEP 20

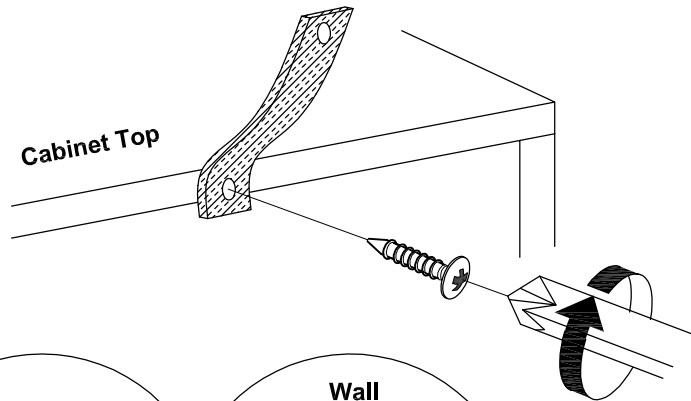


SAFETY WARNING :

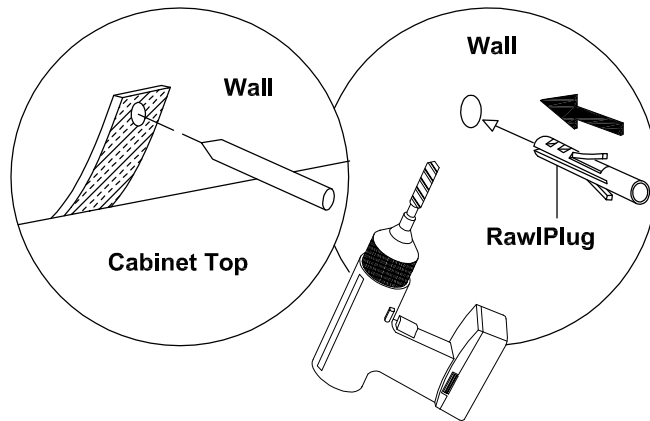
It is recommended that you fit the anti-tip bracket to this item to avoid tipping and causing injury.

FITTING OF ANTI-TIP BRACKET

STEP 1 :
Insert screws through bracket into pre-drilled holes in cabinet.

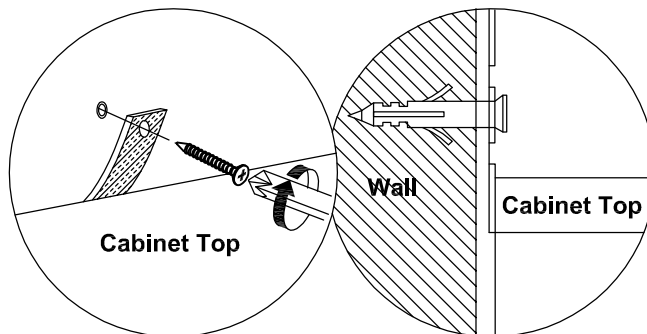


STEP 2 :
Make a mark on the wall through the bracket.



Drill a hole in the wall and insert the rawlplug.

STEP 3 :
Insert screw through bracket into hole in wall



NOTE : Wall fixings are not supplied with this product as different wall materials require different types of fixing devices (such as Rawl plugs on brick work). You must use fixing devices suitable for the type of wall you intend to mount this product to. Please ensure that the head of any screw used has a diameter greater than the diameter of the mounting hole on the bracket and that the fixing is safe and secure before use.

The screw supplied is to fix the anti-tip strap to the cabinet.

HARDWARE LIST



Anti-Tip Strap - 2pcs



M4 x 16MM - 2pcs