

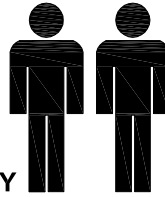
**MODEL NAME:**

**DC 8380-01**

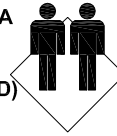
**90min**

**APPROXIMATE ASSEMBLY TIME**

**2 PEOPLE FOR ASSEMBLY**

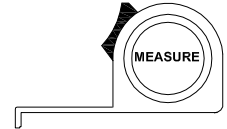
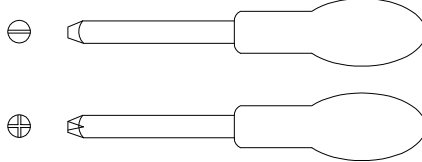
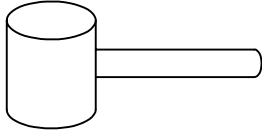


**FLOOR AREA**  
2.2M X 1.0M  
(FLAT BUILD)



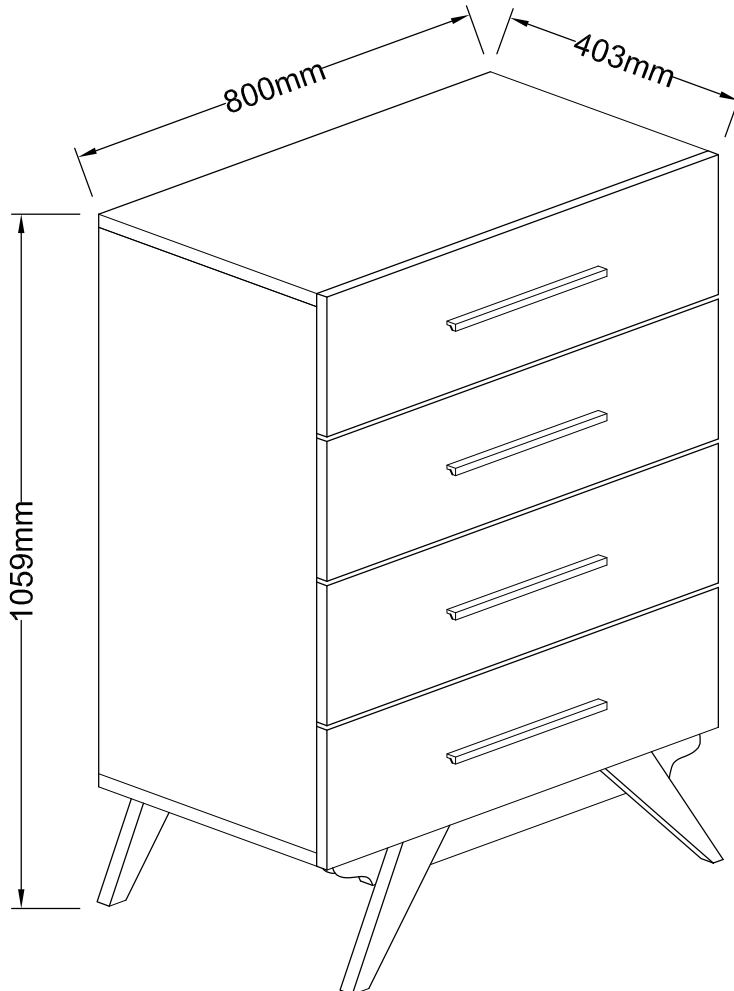
**CEILING HEIGHT**  
2.2M

**REQUIRED ASSEMBLY SPACE**



**REQUIRED ASSEMBLY TOOLS**

**ASSEMBLED DIMENSIONS**



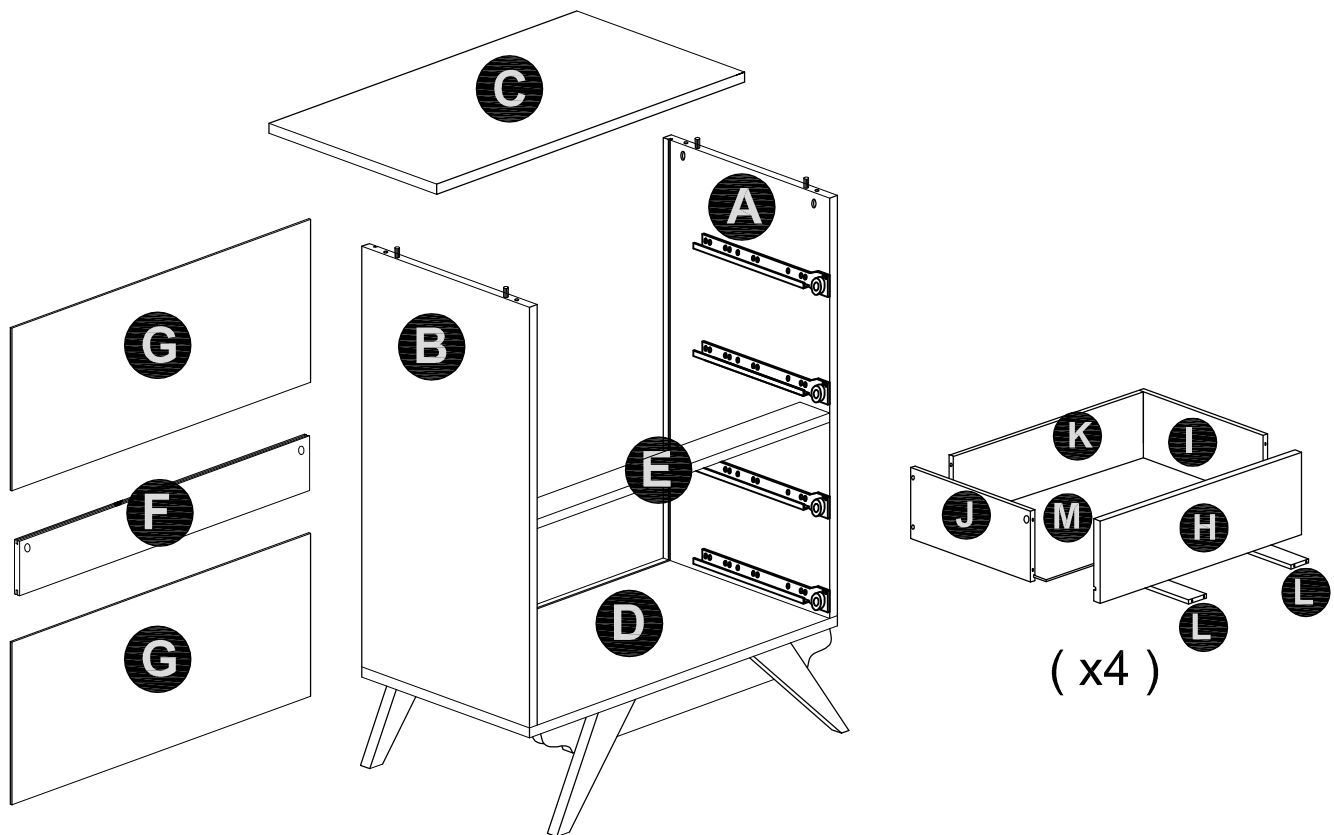
**NOTE : THE MAXIMUM WEIGHT THIS PRODUCT CAN HOLD UP TO IS 25 KGS.**

**MODEL NAME:**

**DC 8380-01**

<b>NO.</b>	<b>PART LIST</b>	<b>QTY</b>	<b>NO.</b>	<b>PART LIST</b>	<b>QTY</b>
(A)	RIGHT SIDE PANEL	1	(H)	DRAWER FRONT	4
(B)	LEFT SIDE PANEL	1	(I)	DRAWER SIDE (RIGHT)	4
(C)	TOP PANEL	1	(J)	DRAWER SIDE (LEFT)	4
(D)	BOTTOM PANEL	1	(K)	DRAWER BACK PANEL	4
(E)	CENTRE SUPPORT	1	(L)	DRAWER BOTTOM SUPPORT	8
(F)	BACK SUPPORT	1	(M)	DRAWER BASE	4
(G)	BACK PANEL	2			

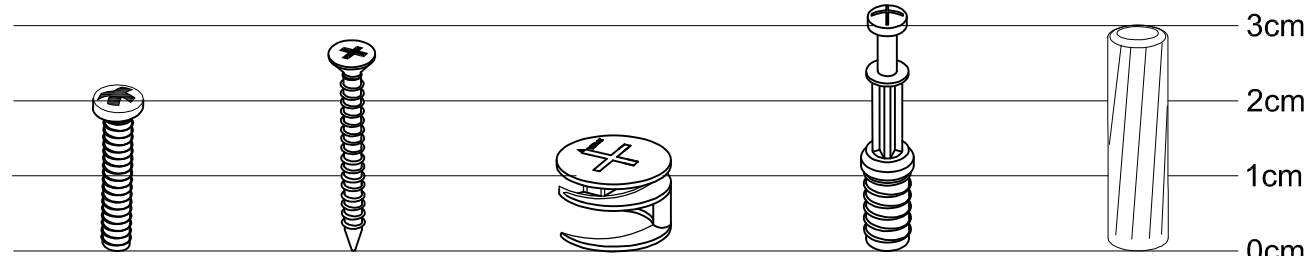
**PARTS LIST**



MODEL NAME:

**DC 8380-01**

**HARDWARE LIST**

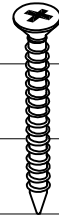


**8X**

M4 x 19mm

**1**

PAN HEAD  
BOLT

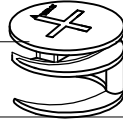


**32X**

M3.5 x 25mm

**2**

FLAT HEAD  
SCREW



**8X**

Dia.15mm

**3**

CAM-LOCK



**16X**

M6.5

**4**

CAM BOLT

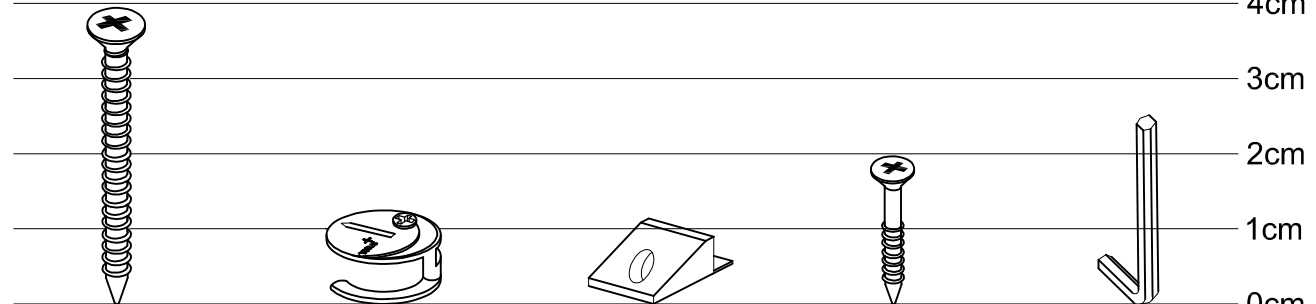


**36X**

Dia.6 x 30mm

**5**

WOOD  
DOWEL



**4X**

M8 x 38mm

**6**

FLAT HEAD  
SCREW

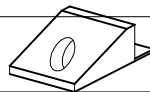


**8X**

Dia.15mm

**7**

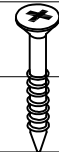
DRAWER  
CAM-LOCK



**12X**

**8**

BACKPLY  
STOPPER



**12X**

M3 x 20mm

**9**

FLAT HEAD  
SCREW

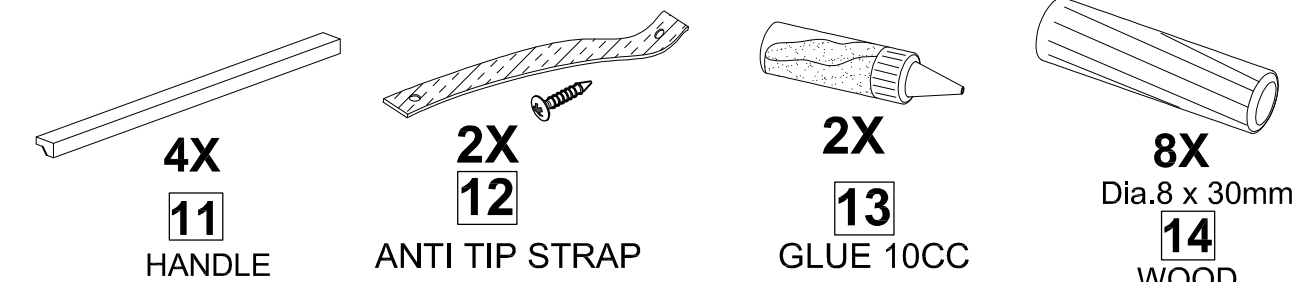


**1X**

M4

**10**

ALLEN KEY



**4X**

**11**

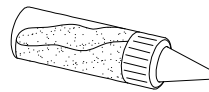
HANDLE



**2X**

**12**

ANTI TIP STRAP



**2X**

**13**

GLUE 10CC

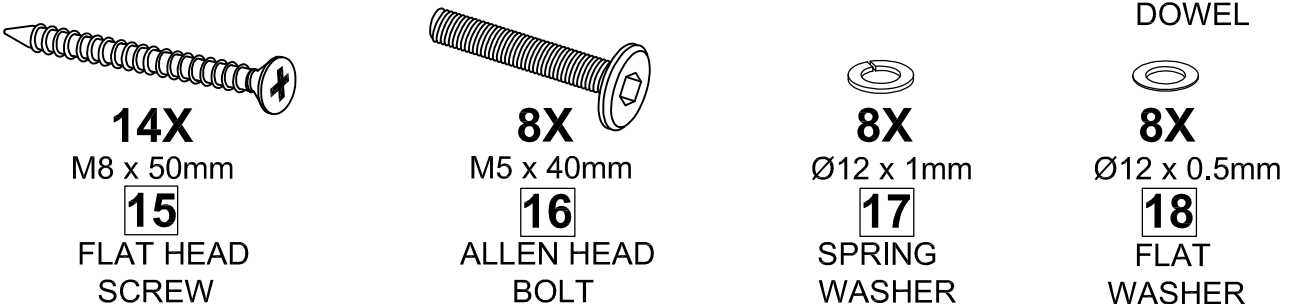


**8X**

Dia.8 x 30mm

**14**

WOOD  
DOWEL

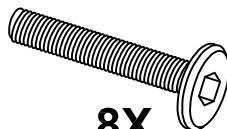


**14X**

M8 x 50mm

**15**

FLAT HEAD  
SCREW



**8X**

M5 x 40mm

**16**

ALLEN HEAD  
BOLT



**8X**

Ø12 x 1mm

**17**

SPRING  
WASHER



**8X**

Ø12 x 0.5mm

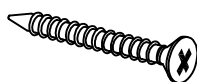
**18**

FLAT  
WASHER

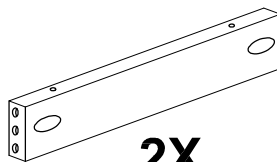
**MODEL NAME:**

**DC 8380-01**

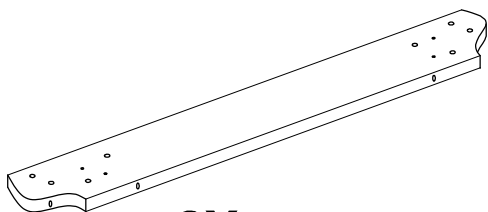
**HARDWARE LIST**



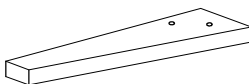
**12X**  
M8 x 32mm  
**19**  
FLAT HEAD  
SCREW



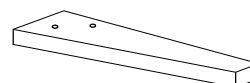
**2X**  
**20**  
SIDE PROFILE  
283 x 45 x 20 mm



**2X**  
**21**  
FRONT PROFILE  
764 x 70 x 20 mm



**2X**  
**22**  
RIGHT LEG PROFILE  
300 x 70 x 28 mm



**2X**  
**23**  
LEFT LEG PROFILE  
300 x 70 x 28 mm

**MODEL NAME:**

**DC 8380-01**

### **Top Tips before you start!**

1. Please check that all parts are present before you start the assembly of your furniture.
2. For ease and speed of assembly, we recommend that before you commence each step of the assembly, that you identify all the parts required for that step.
3. For larger items, please ensure that you have sufficient space and people ( as indicated on page 1 ) to assemble your product safely
4. We recommend that, where possible, all items are assembled near to the area in which they will be placed in use, to avoid moving the product unnecessarily once assembled.
5. For the protection of your furniture, particularly items of high gloss finish, we recommend that the product is placed on a protected surface during assembly to prevent any damage.
6. Caution - Electric / Battery operated screw driver NOT RECOMMENDED.
7. During assembly please take care not to over-tighten any fittings, as this may damage the product.
8. Always place the product on a flat, steady and stable surface.
9. Do not sit or stand on the product.  
Do not use the product as a stepladder.
10. This product is intended for indoor, household use only as it is non industrial product.
11. This product is constructed from re-inforced hollow board. Excessive pressure cause irreparable damage. Please do not kneel on any part of this product during assembly.

### **Care and Maintenance of your Furniture**

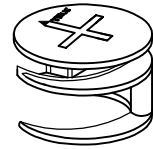
- Please periodically check all fittings and re-tighten as necessary.
- To clean your item, please use a damp cloth and wipe clean.
- Never allow any kind of liquid to remain on your furniture.
- Please do not place hot items (e.g. hot drinks ) directly on to the wood surface.
- Please do not drag and pull your furniture.

MODEL NAME:

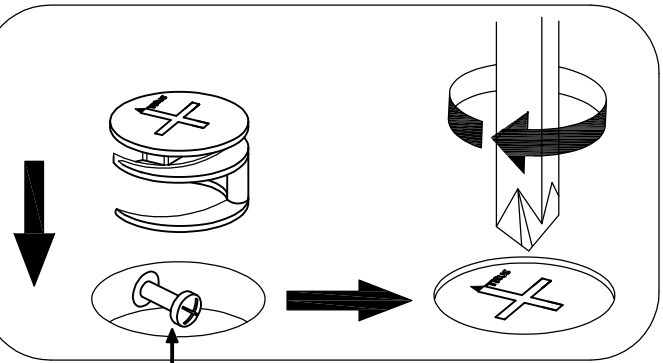
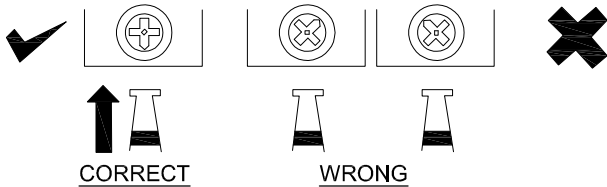
DC 8380-01

# SPECIAL TIPS FOR FITTING CAM-LOCKS AND CAM BOLT

CAM-LOCK

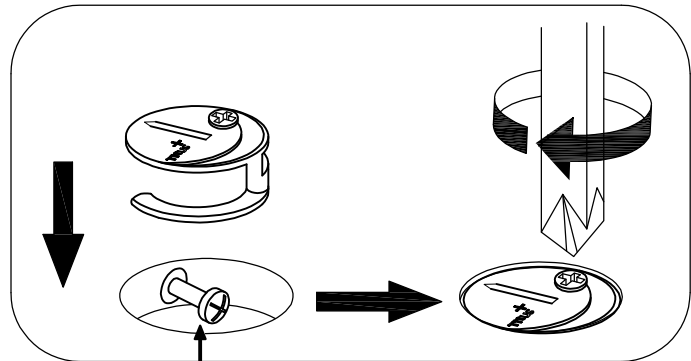


WHEN FITTING CAM-LOCK  
ENSURE STARTING POSITION IS CORRECT  
BEFORE YOU INSERT CONNECTING CAM BOLT  
TURN CLOCKWISE UNTIL SECURE



Cam bolt head needs to be in centre

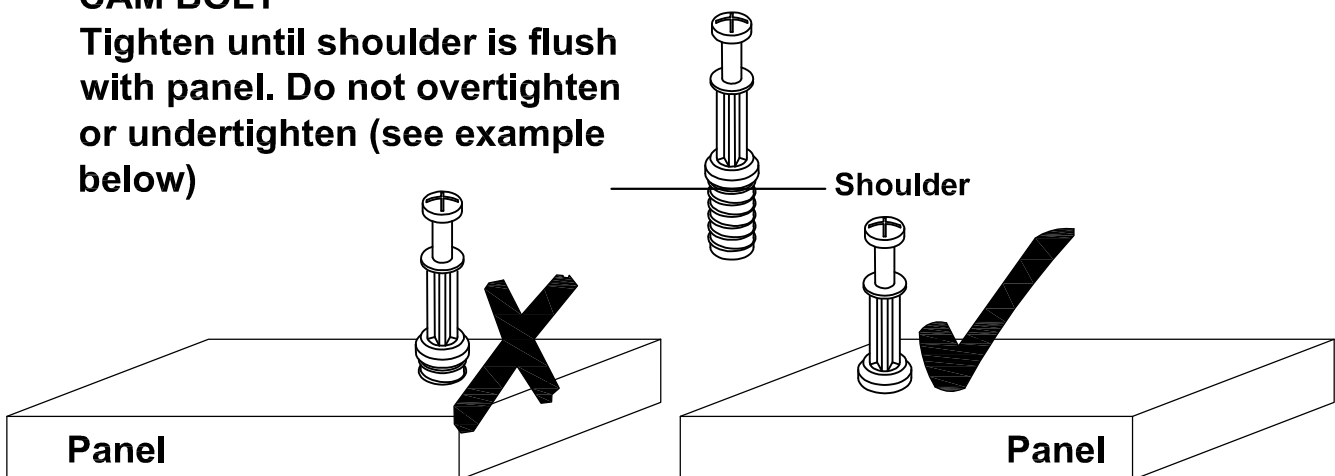
DRAWER  
CAM-LOCK



Cam bolt head needs to be in centre

CAM BOLT

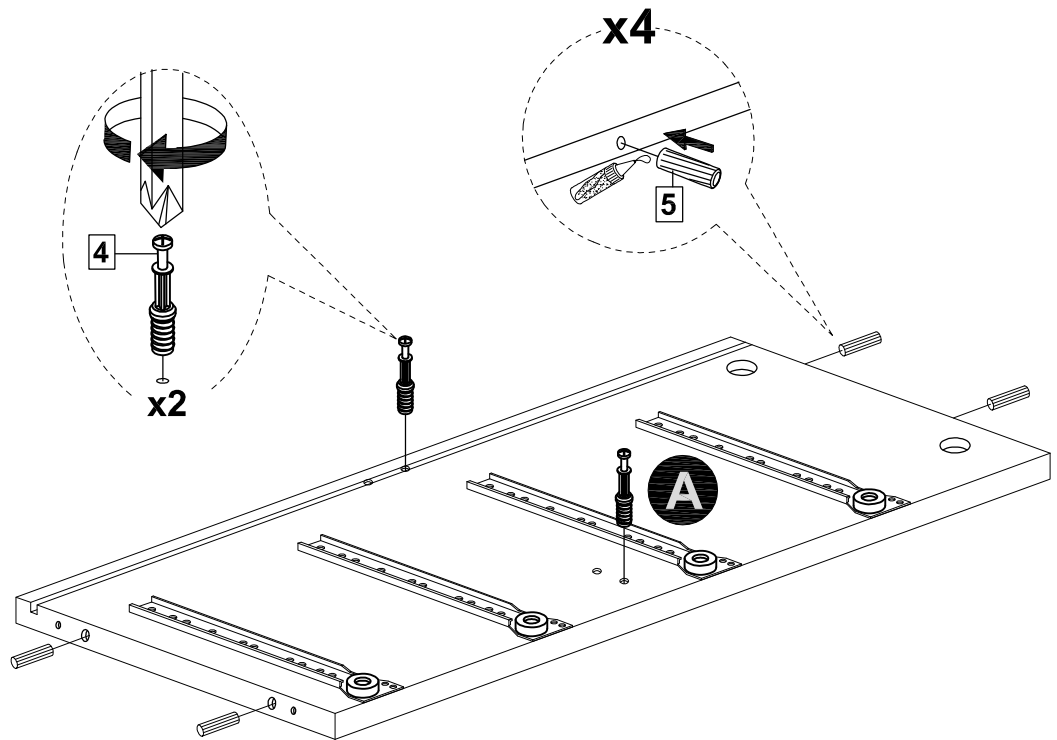
Tighten until shoulder is flush with panel. Do not overtighten or undertighten (see example below)



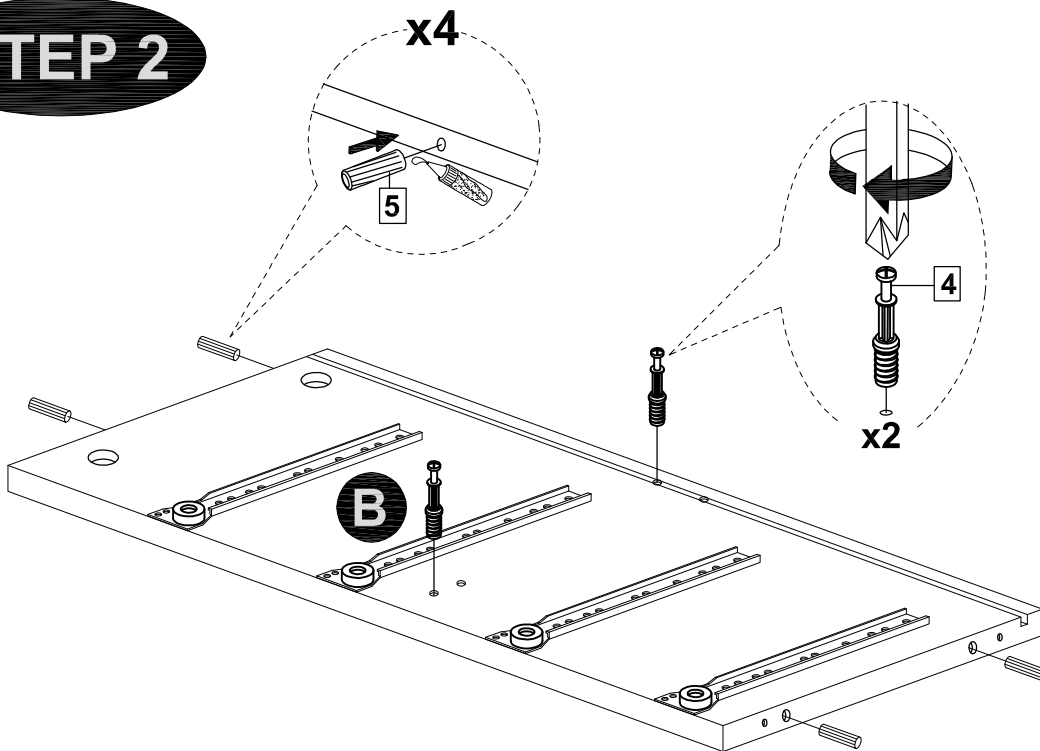
MODEL NAME:

DC 8380-01

**STEP 1**



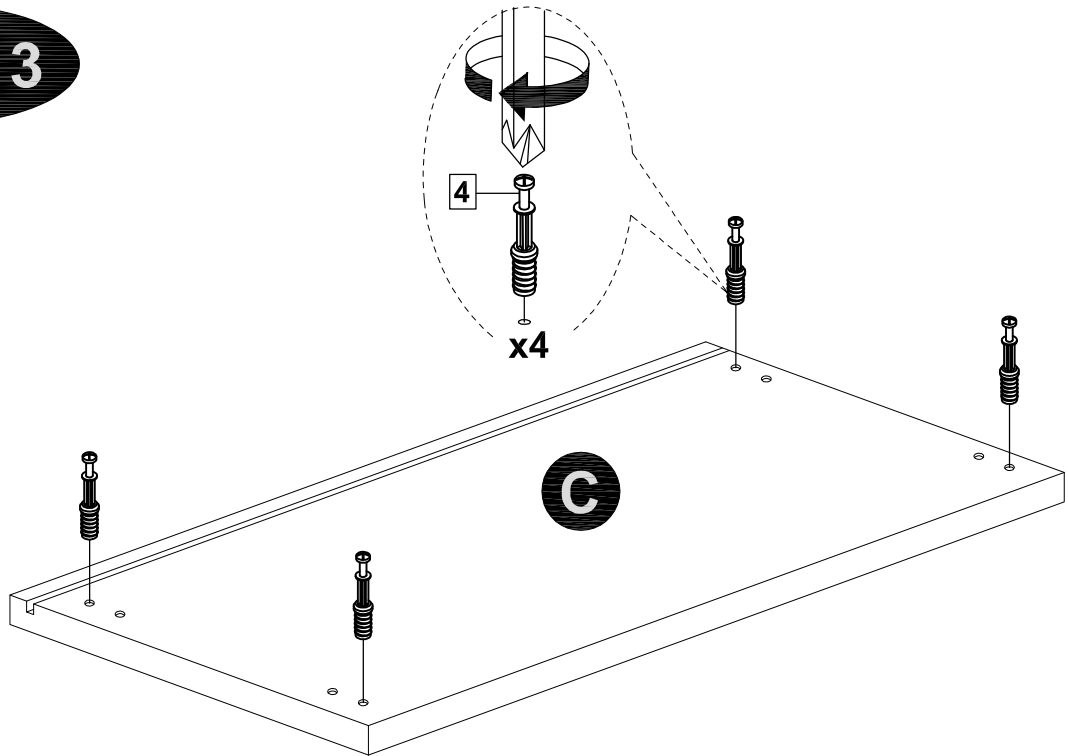
**STEP 2**



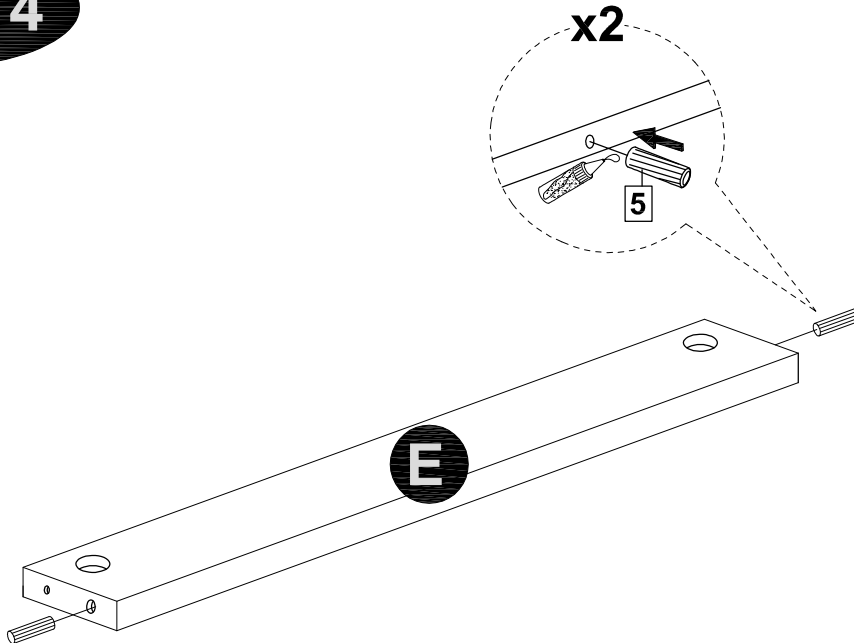
MODEL NAME:

DC 8380-01

**STEP 3**



**STEP 4**

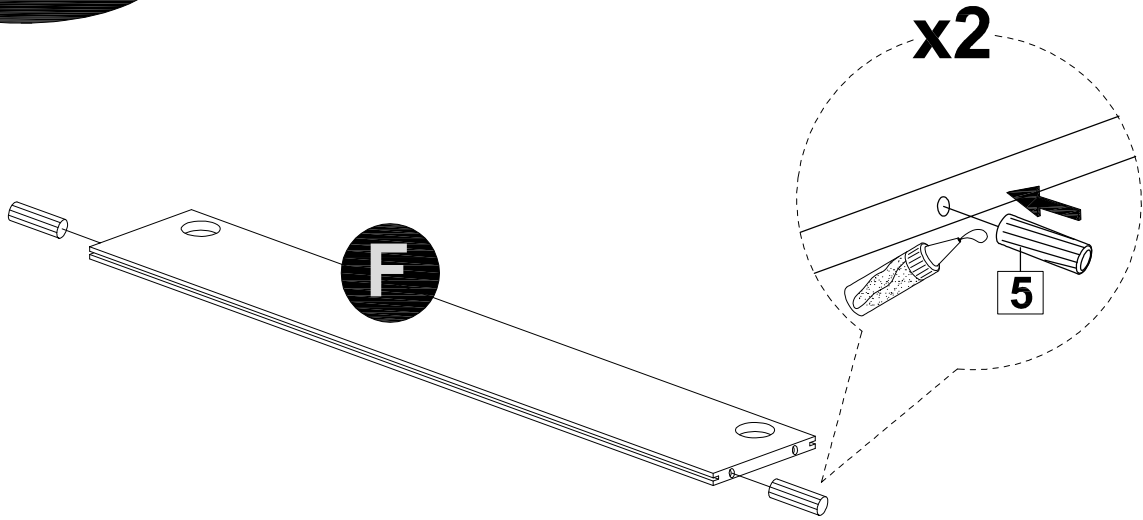




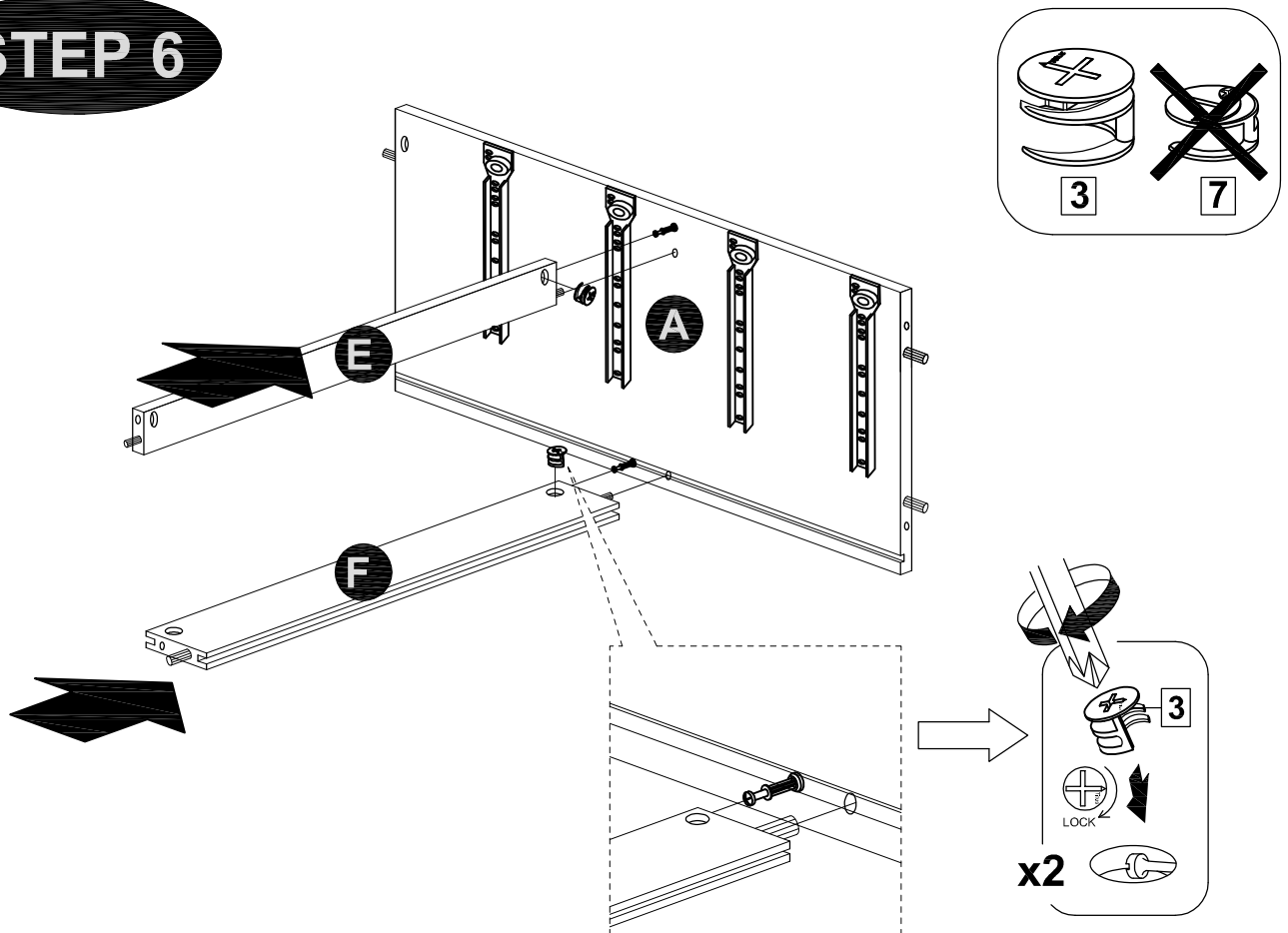
MODEL NAME:

DC 8380-01

**STEP 5**



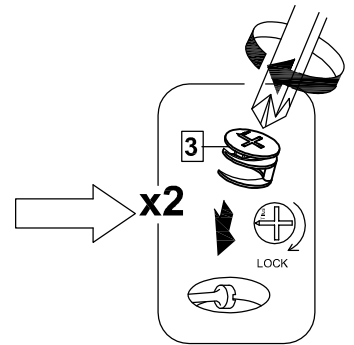
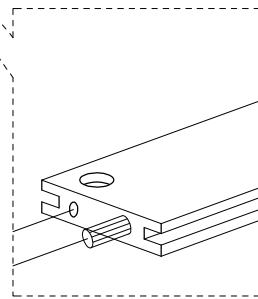
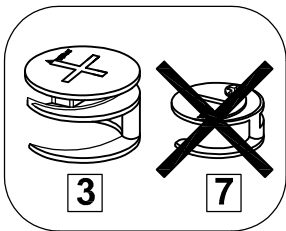
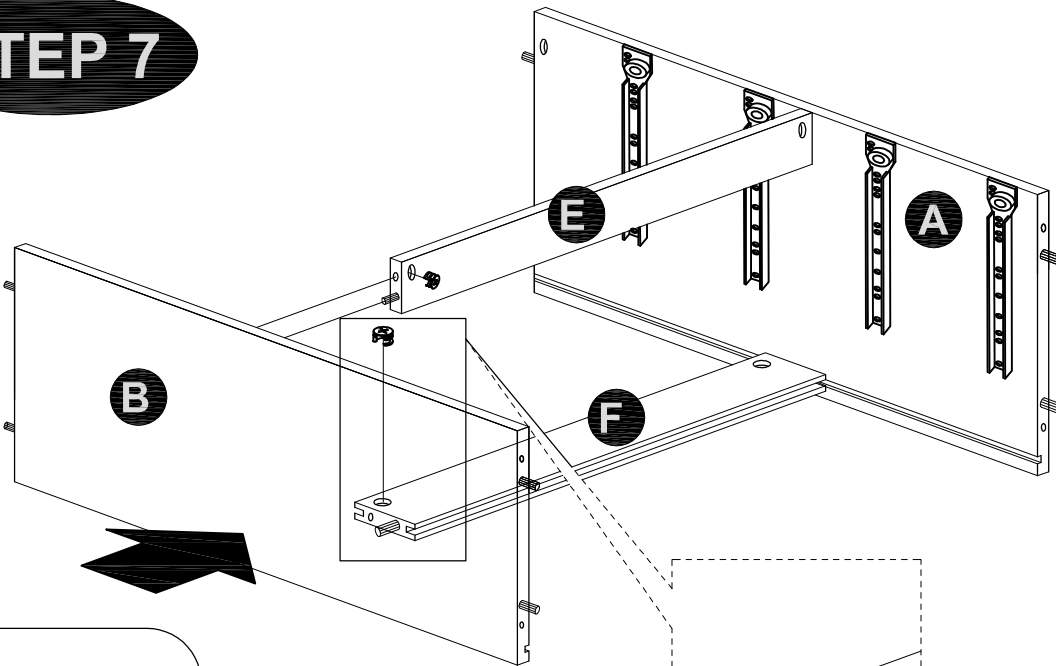
**STEP 6**



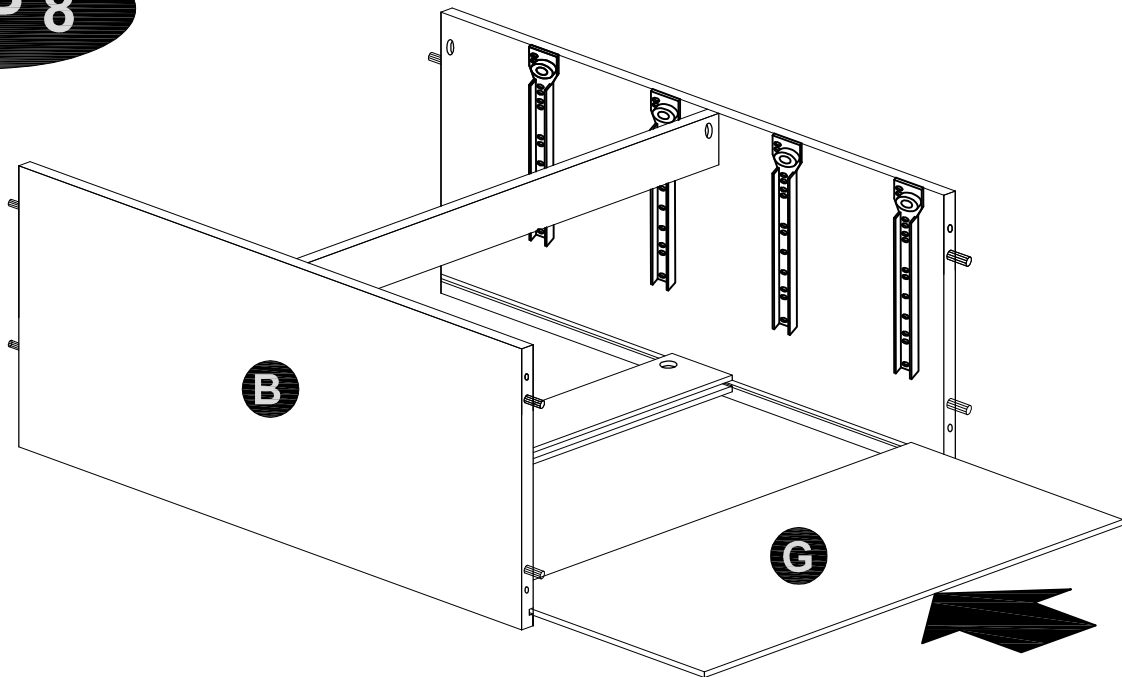
MODEL NAME:

DC 8380-01

**STEP 7**



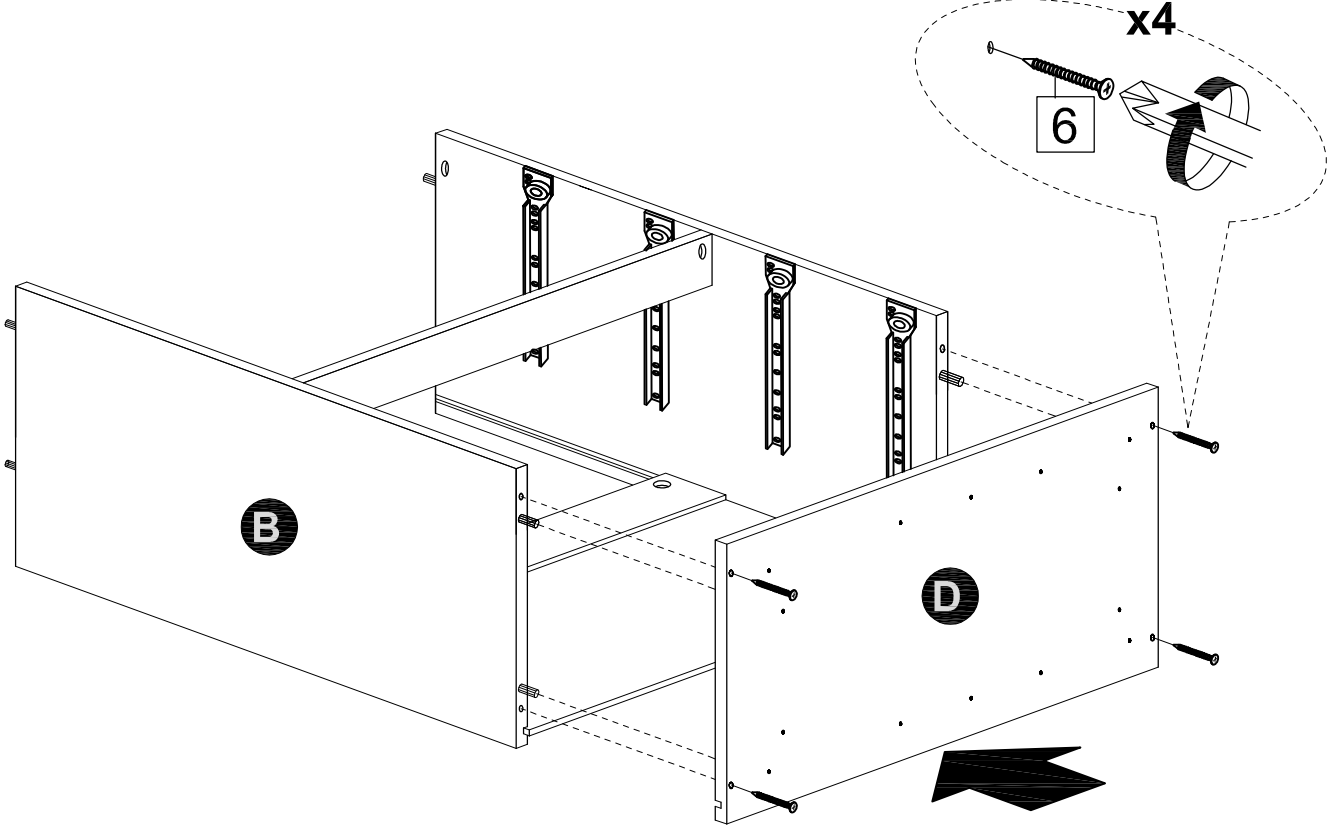
**STEP 8**



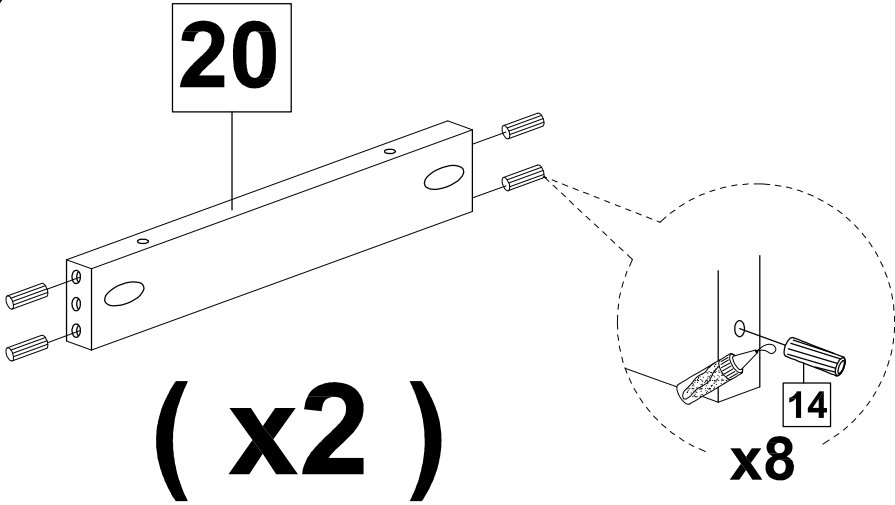
MODEL NAME:

DC 8380-01

**STEP 9**



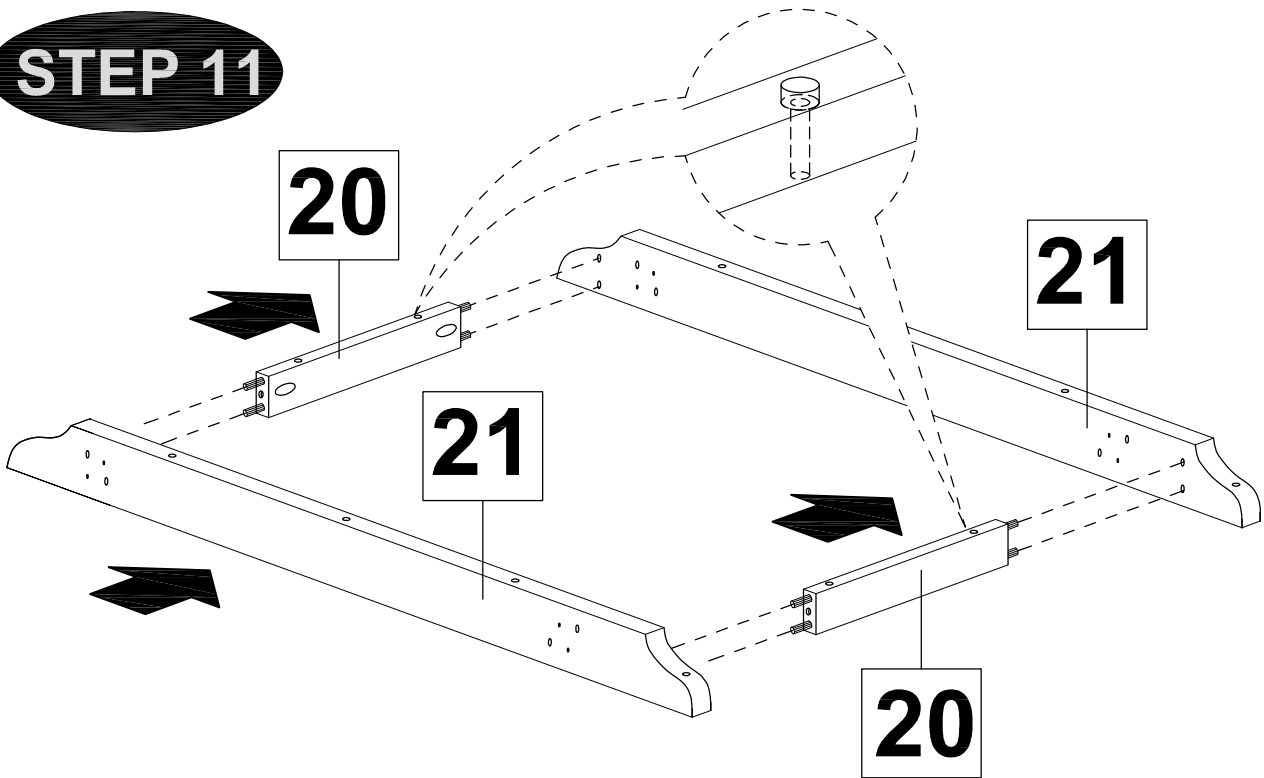
**STEP 10**



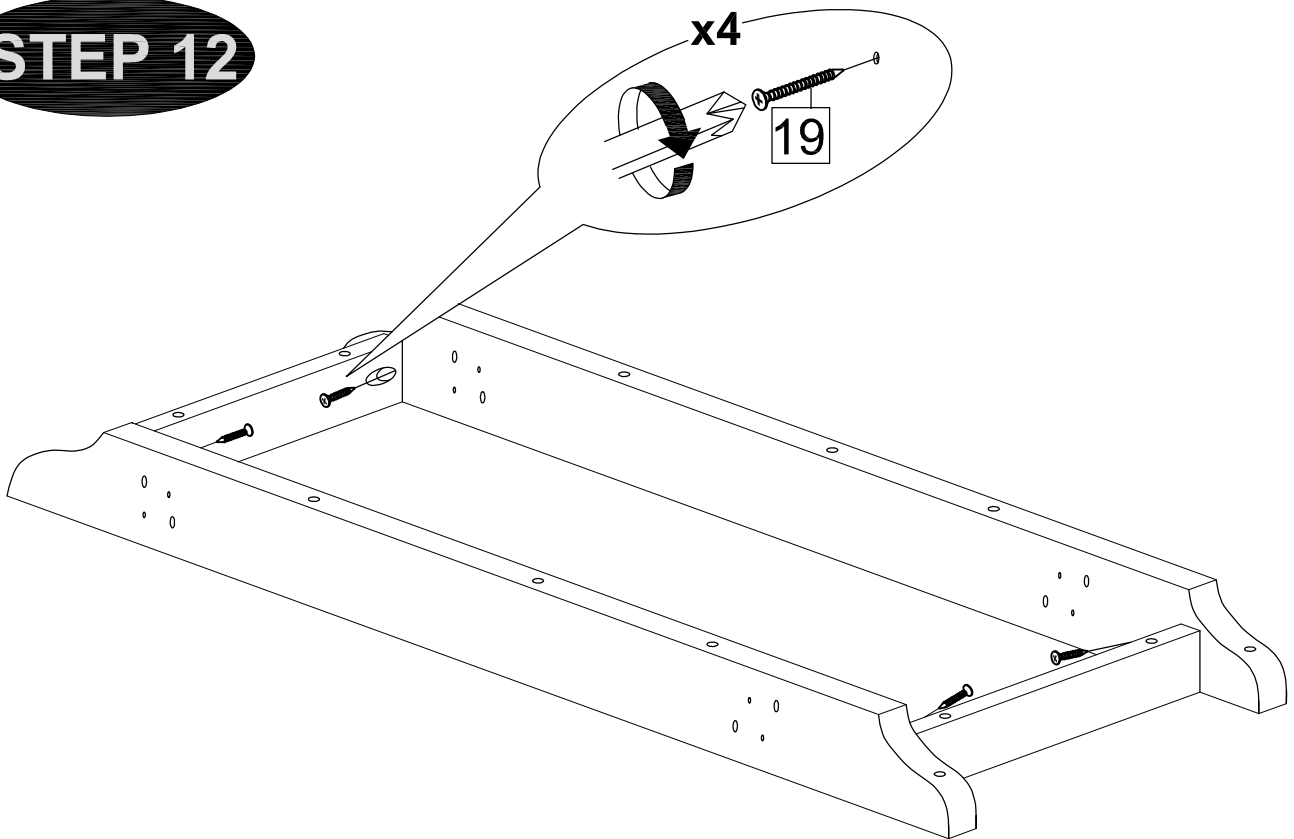
MODEL NAME:

DC 8380-01

**STEP 11**



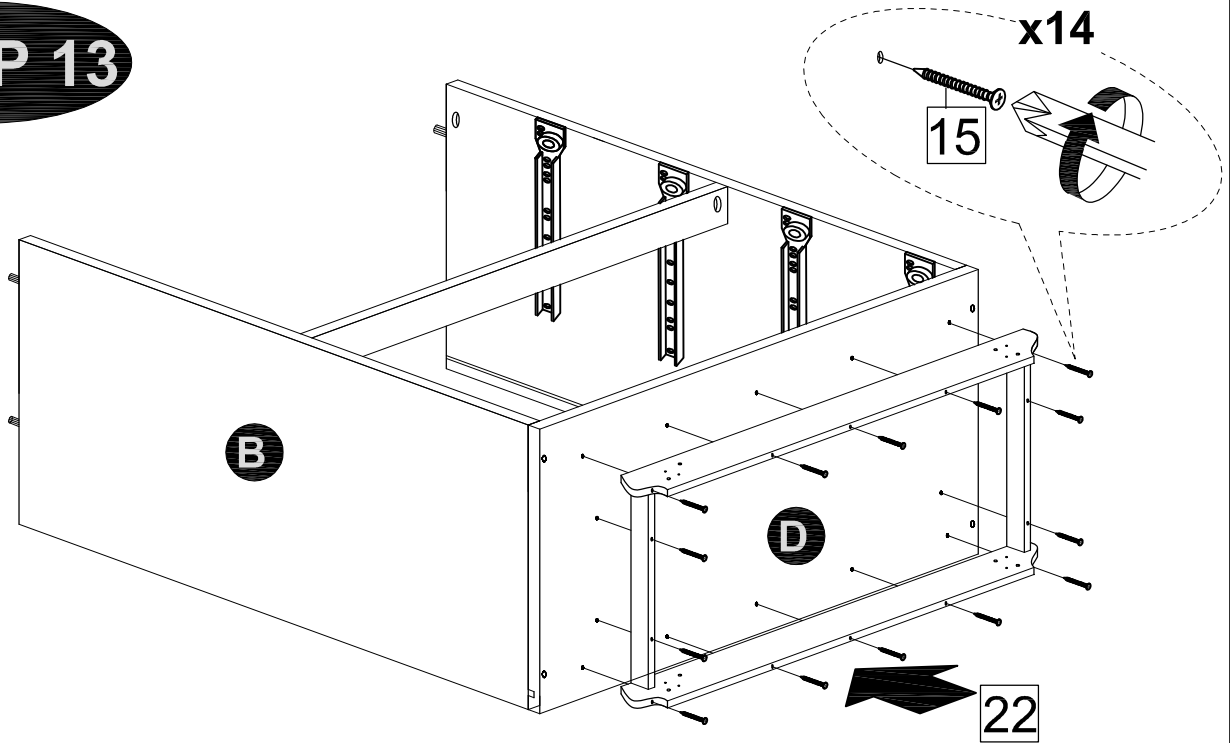
**STEP 12**



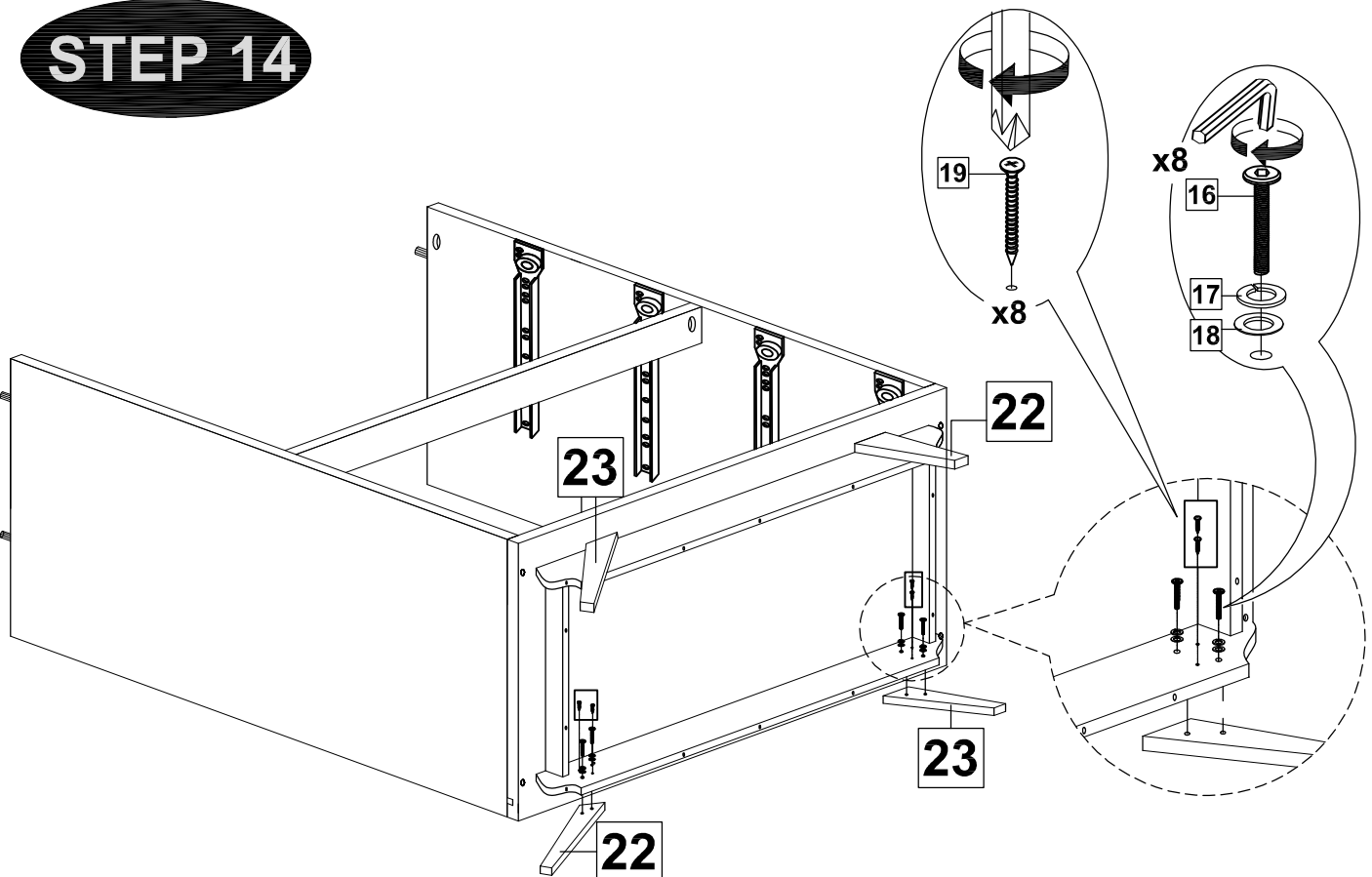
MODEL NAME:

DC 8380-01

**STEP 13**



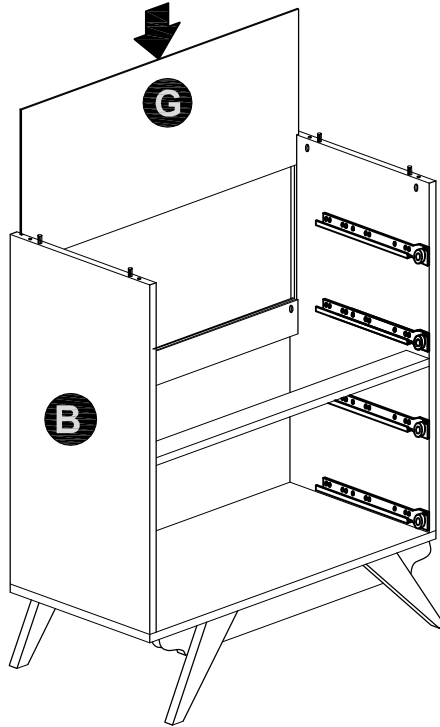
**STEP 14**



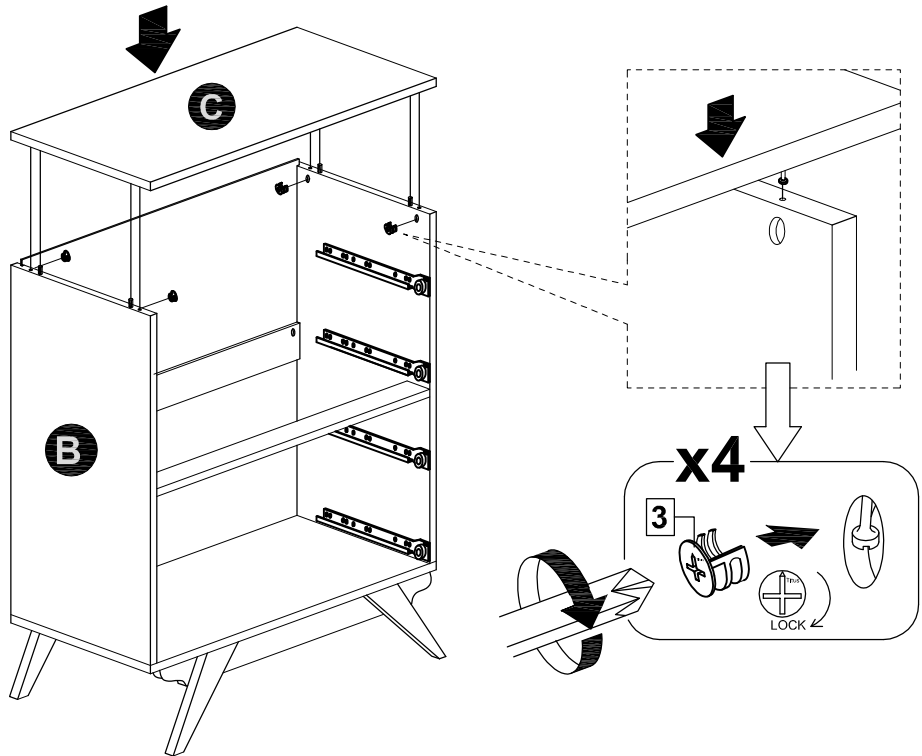
MODEL NAME:

DC 8380-01

**STEP 15**



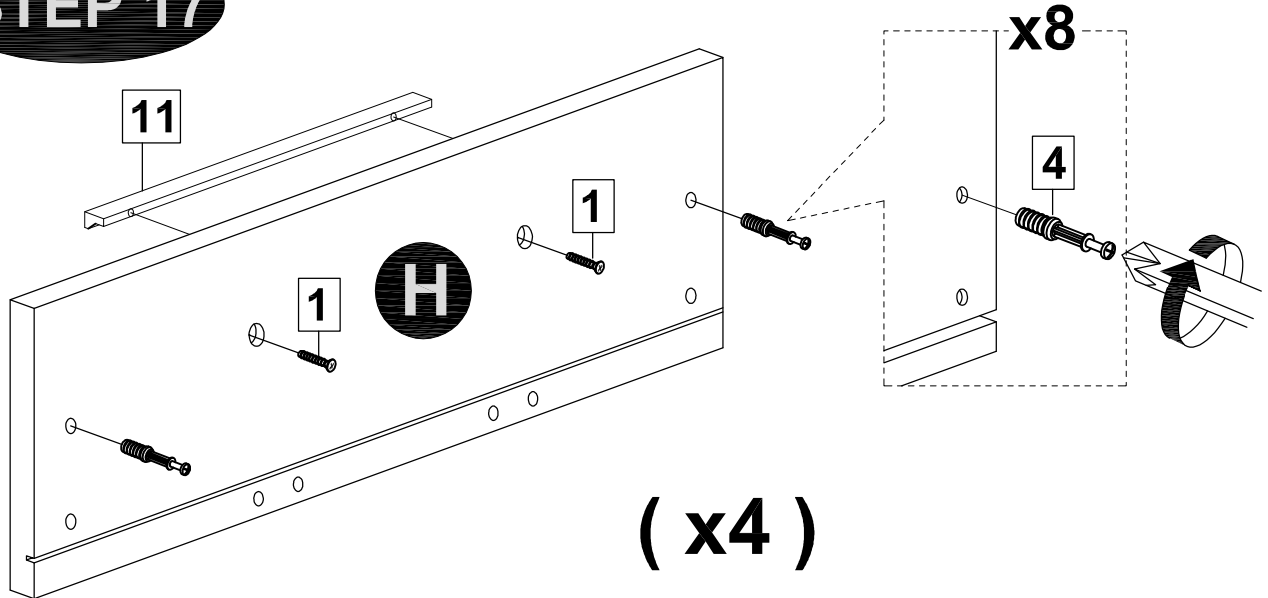
**STEP 16**



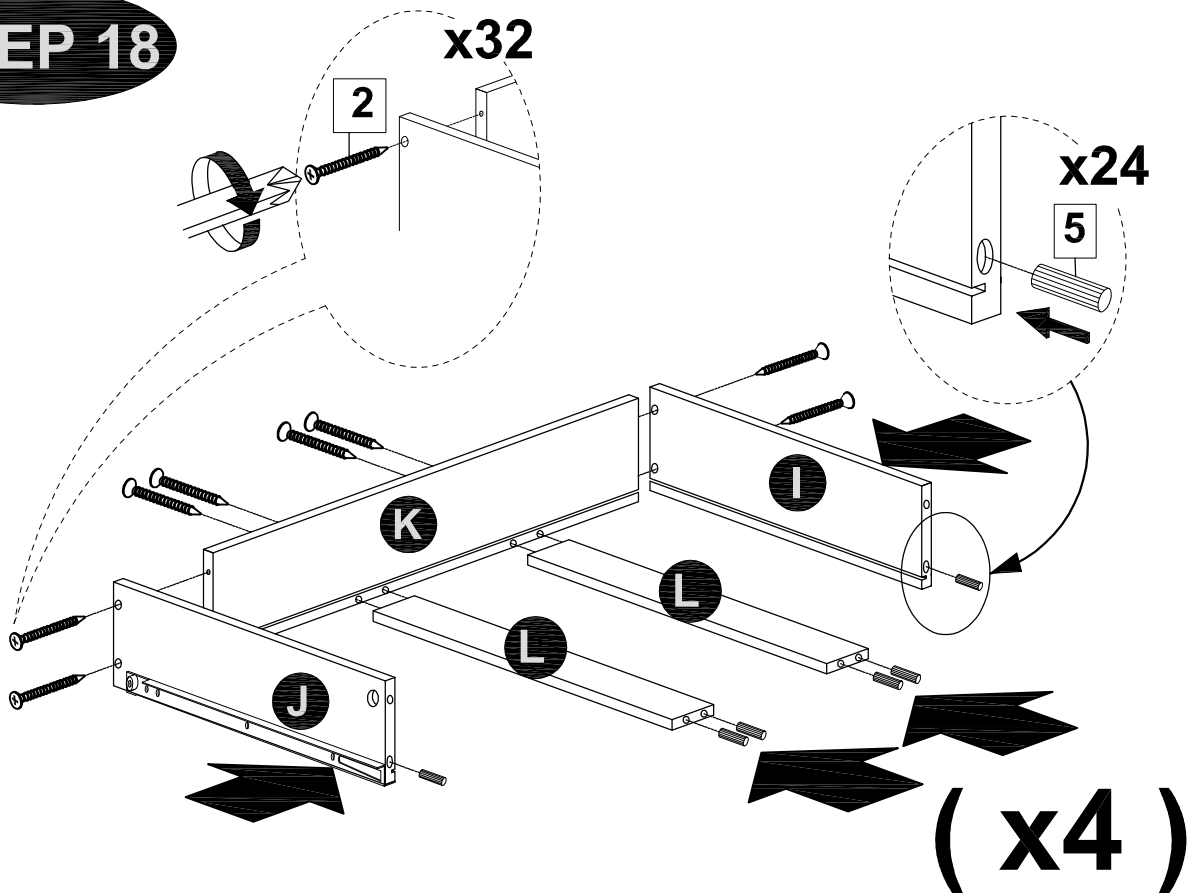
MODEL NAME:

DC 8380-01

**STEP 17**



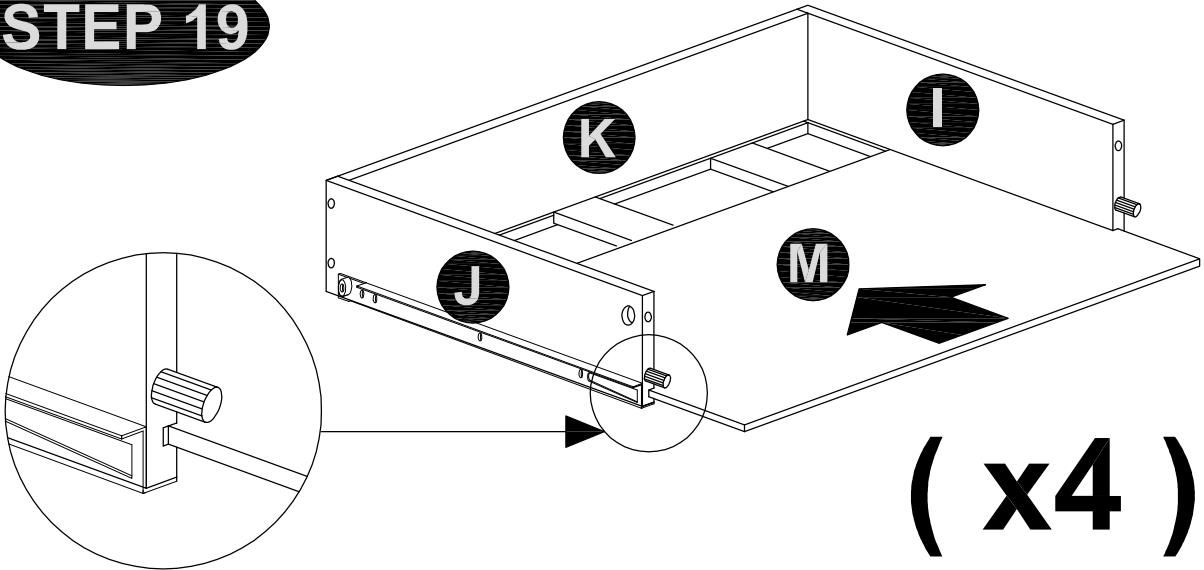
**STEP 18**



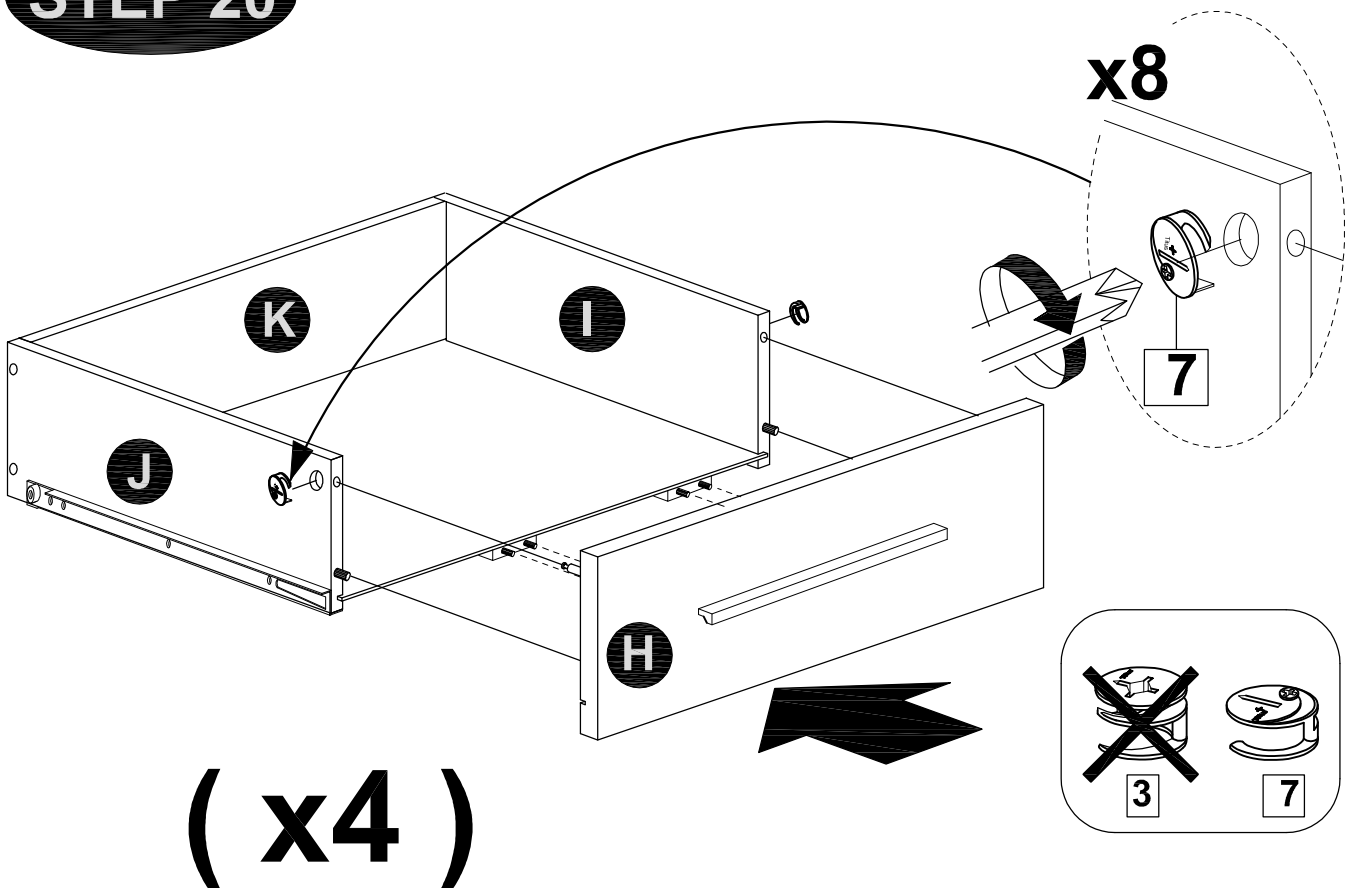
MODEL NAME:

DC 8380-01

**STEP 19**



**STEP 20**

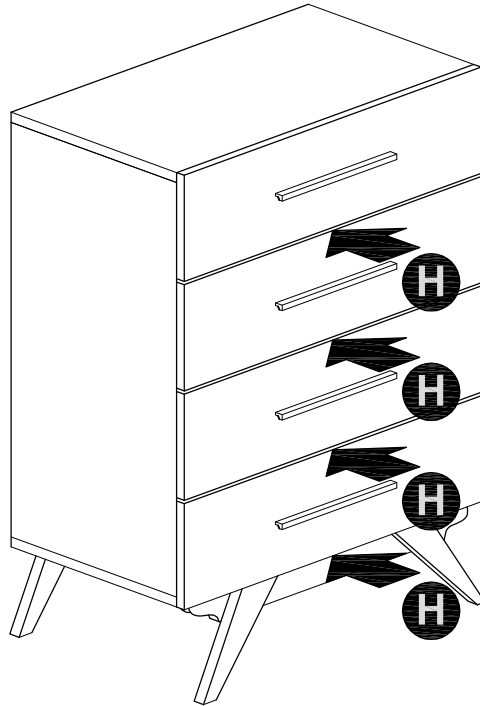




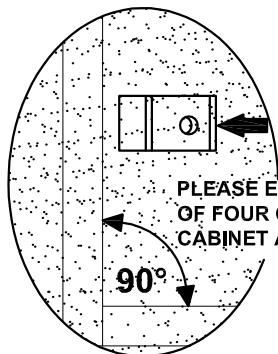
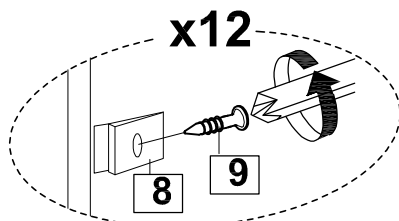
MODEL NAME:

DC 8380-01

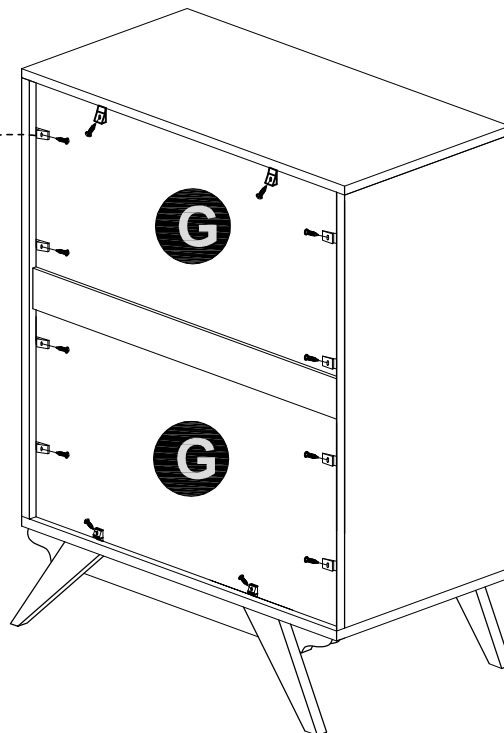
**STEP 21**



**STEP 22**



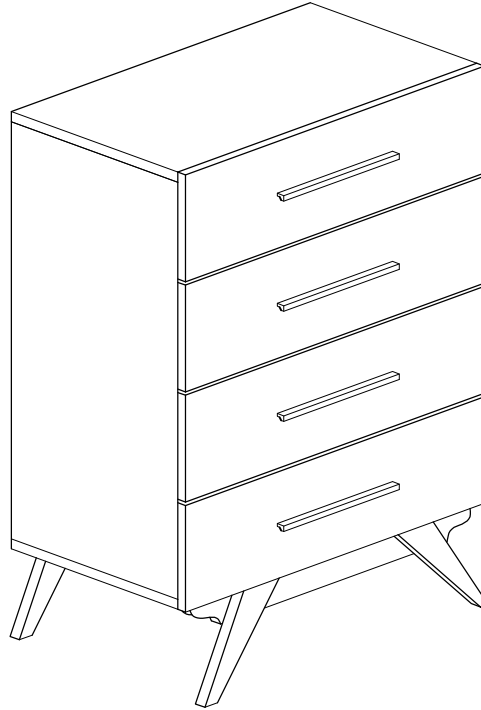
PLEASE ENSURE THAT EACH  
OF FOUR CORNERS OF  
CABINET ARE SQUARE



**MODEL NAME:**

**DC 8380-01**

**STEP 23**



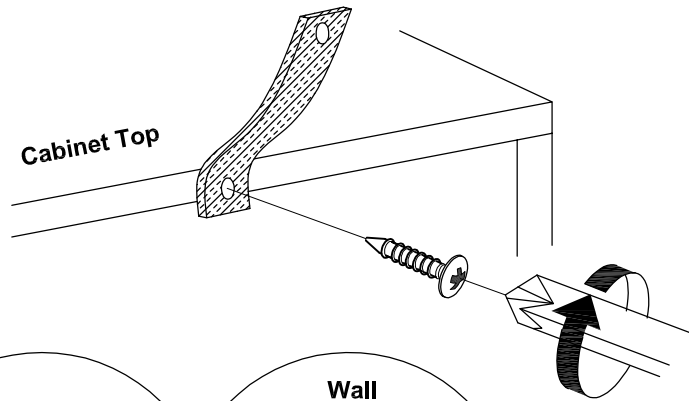
## SAFETY WARNING :

It is recommended that you fit the anti-tip bracket to this item to avoid tipping and causing injury.

## FITTING OF ANTI-TIP BRACKET

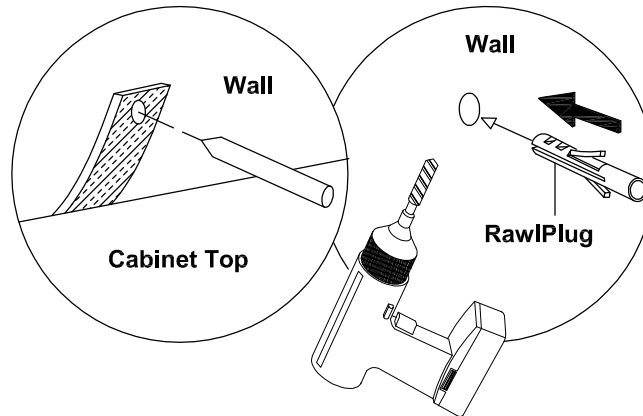
### STEP 1 :

Insert screws through bracket into pre-drilled holes in cabinet.



### STEP 2 :

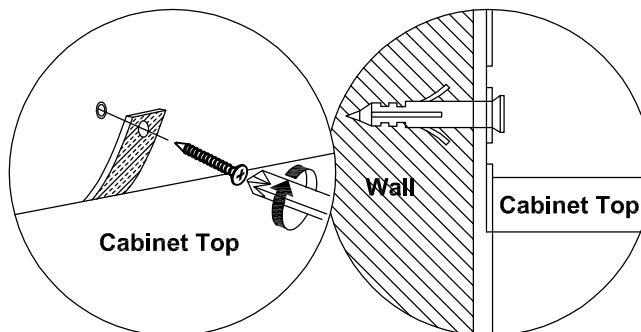
Make a mark on the wall through the bracket.



Drill a hole in the wall and insert the rawlplug.

### STEP 3 :

Insert screw through bracket into hole in wall



**NOTE :** Wall fixings are not supplied with this product as different wall materials require different types of fixing devices (such as Rawl plugs on brick work). You must use fixing devices suitable for the type of wall you intend to mount this product to. Please ensure that the head of any screw used has a diameter greater than the diameter of the mounting hole on the bracket and that the fixing is safe and secure before use.

The screw supplied is to fix the anti-tip strap to the cabinet.

### HARDWARE LIST



Anti-Tip Strap - 2pcs



M4 x 16MM - 2pcs