

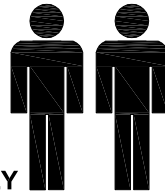
MODEL NAME:

DC 5310-00

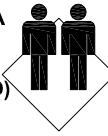
90min

APPROXIMATE ASSEMBLY TIME

2 PEOPLE FOR ASSEMBLY

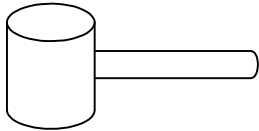


FLOOR AREA
2.2M X 1.0M
(FLAT BUILD)

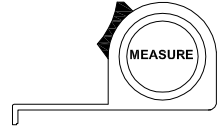
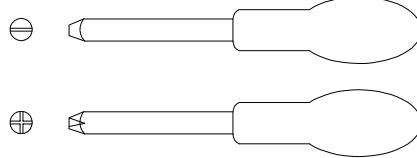


CEILING HEIGHT
2.2M

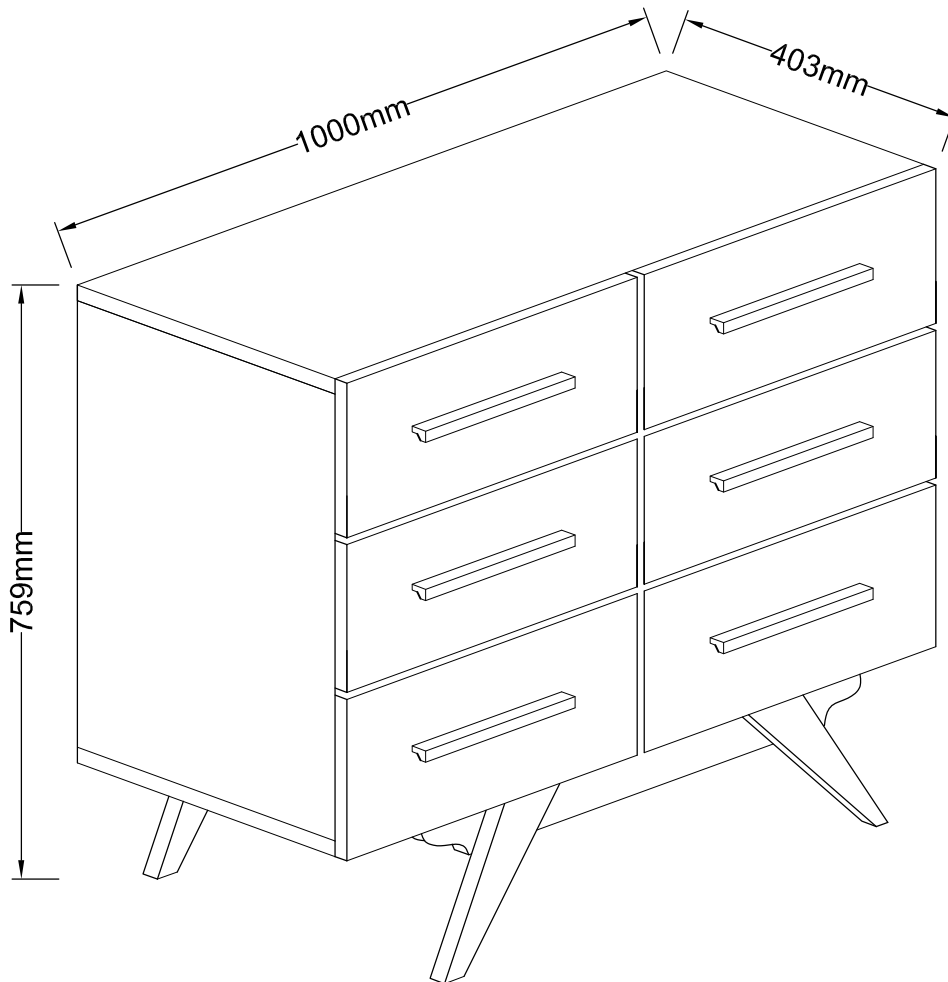
REQUIRED ASSEMBLY SPACE



REQUIRED ASSEMBLY TOOLS



ASSEMBLED DIMENSIONS



NOTE : THE MAXIMUM WEIGHT THIS PRODUCT CAN HOLD UP TO IS 25 KGS.

MODEL NAME:

DC 5310-00

NO. PART LIST

- (A) RIGHT SIDE PANEL
- (B) LEFT SIDE PANEL
- (C) CENTRE PANEL
- (D) TOP PANEL
- (E) BOTTOM PANEL
- (F) BACK SUPPORT
- (G) CENTRE SUPPORT
- (H) BACK PANEL

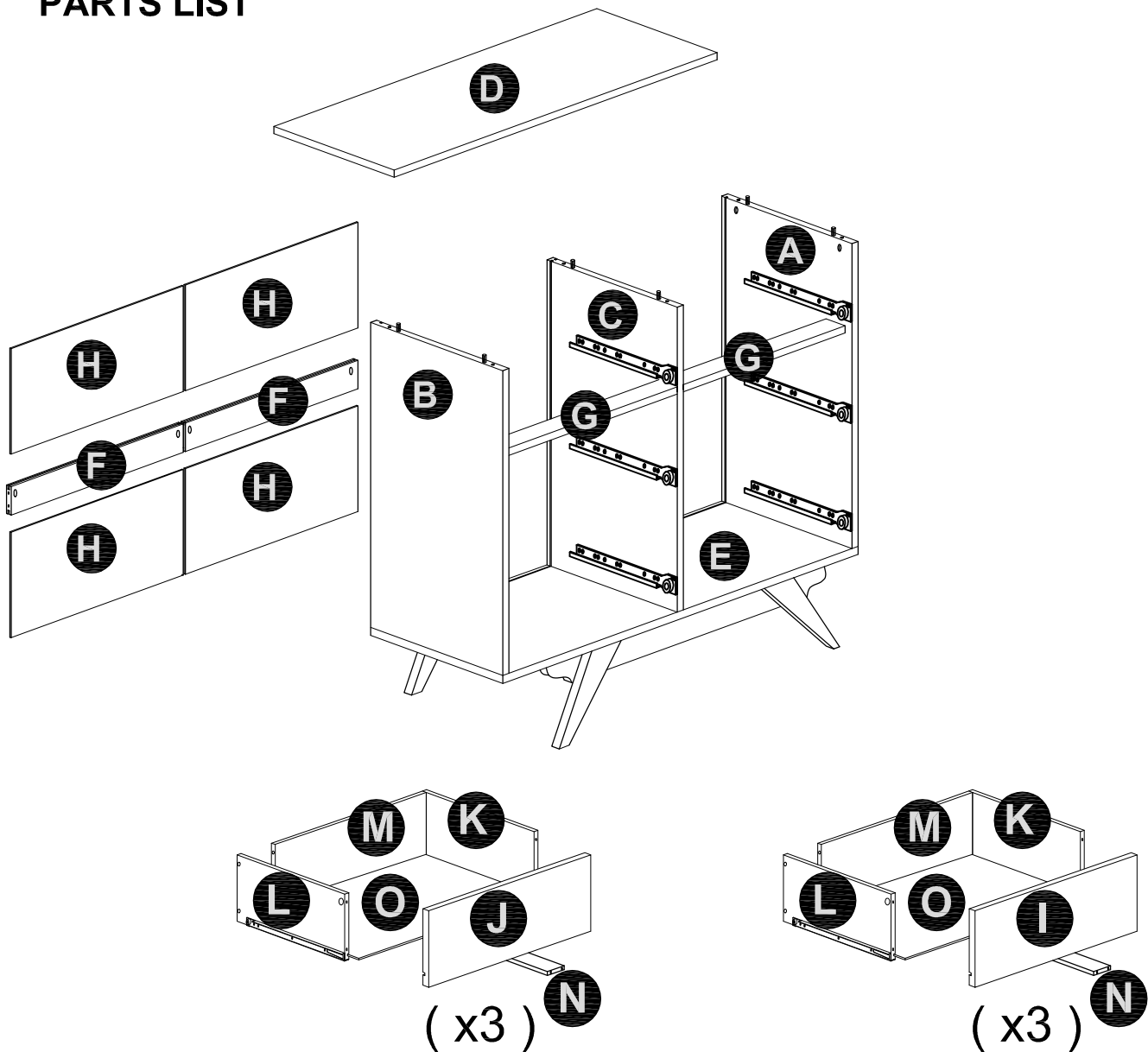
QTY NO. PART LIST

- 1 (I) DRAWER FRONT(RIGHT)
- 1 (J) DRAWER FRONT(LEFT)
- 1 (K) DRAWER SIDE (RIGHT)
- 1 (L) DRAWER SIDE (LEFT)
- 1 (M) DRAWER BACK PANEL
- 2 (N) DRAWER BOTTOM SUPPORT
- 2 (O) DRAWER BASE

QTY

- 3
- 3
- 6
- 6
- 6
- 6
- 6

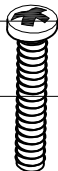






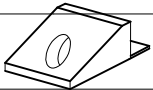
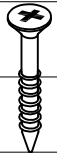

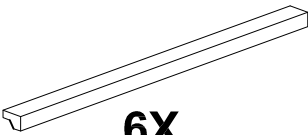
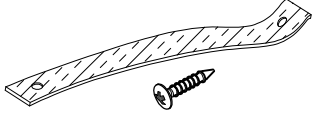
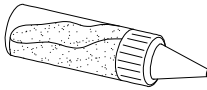


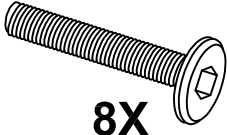


PARTS LIST



MODEL NAME:

DC 5310-00

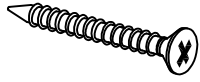
HARDWARE LIST

					3cm 2cm 1cm 0cm
12X M4 x 19mm 1 PAN HEAD BOLT	36X M3.5 x 25mm 2 FLAT HEAD SCREW	14X Dia. 15mm 3 CAM-LOCK	26X M6.5 4 CAM BOLT	44X Dia. 6 x 30mm 5 WOOD DOWEL	
					4cm 3cm 2cm 1cm 0cm
6X M8 x 38mm 6 FLAT HEAD SCREW	12X Dia. 15mm 7 DRAWER CAM-LOCK	12X 8 BACKPLY STOPPER	12X M3 x 20mm 9 FLAT HEAD SCREW	1X M4 10 ALLEN KEY	
					
6X 11 HANDLE	2X 12 ANTI TIP STRAP	2X 13 GLUE 10CC	8X Dia. 8 x 30mm 14 WOOD DOWEL		
					
14X M8 x 50mm 15 FLAT HEAD SCREW	8X M5 x 40mm 16 ALLEN HEAD BOLT	8X Ø12 x 1mm 17 SPRING WASHER	8X Ø12 x 0.5mm 18 FLAT WASHER		

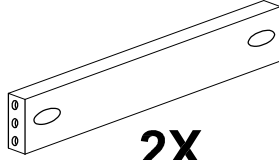
MODEL NAME:

DC 5310-00

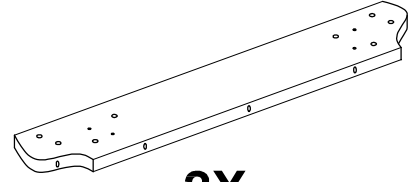
HARDWARE LIST



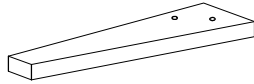
12X
M8 x 32mm
19
FLAT HEAD
SCREW



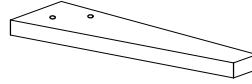
2X
20
SIDE PROFILE
283 x 45 x 20 mm



2X
21
FRONT PROFILE
764 x 70 x 20 mm



2X
22
RIGHT LEG PROFILE
300 x 70 x 28 mm



2X
23
LEFT LEG PROFILE
300 x 70 x 28 mm

MODEL NAME:

DC 5310-00

Top Tips before you start!

1. Please check that all parts are present before you start the assembly of your furniture.
2. For ease and speed of assembly, we recommend that before you commence each step of the assembly, that you identify all the parts required for that step.
3. For larger items, please ensure that you have sufficient space and people (as indicated on page 1) to assemble your product safely
4. We recommend that, where possible, all items are assembled near to the area in which they will be placed in use, to avoid moving the product unnecessarily once assembled.
5. For the protection of your furniture, particularly items of high gloss finish, we recommend that the product is placed on a protected surface during assembly to prevent any damage.
6. Caution - Electric / Battery operated screw driver NOT RECOMMENDED.
7. During assembly please take care not to over-tighten any fittings, as this may damage the product.
8. Always place the product on a flat, steady and stable surface.
9. Do not sit or stand on the product.
Do not use the product as a stepladder.
10. This product is intended for indoor, household use only as it is non industrial product.
11. This product is constructed from re-inforced hollow board. Excessive pressure cause irreparable damage. Please do not kneel on any part of this product during assembly.

Care and Maintenance of your Furniture

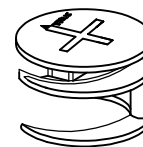
- Please periodically check all fittings and re-tighten as necessary.
- To clean your item, please use a damp cloth and wipe clean.
- Never allow any kind of liquid to remain on your furniture.
- Please do not place hot items (e.g. hot drinks) directly on to the wood surface.
- Please do not drag and pull your furniture.

MODEL NAME:

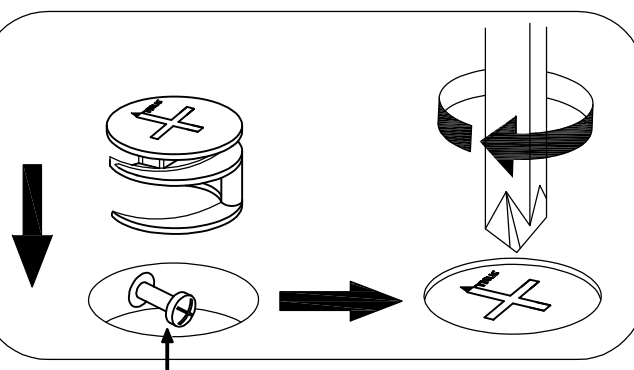
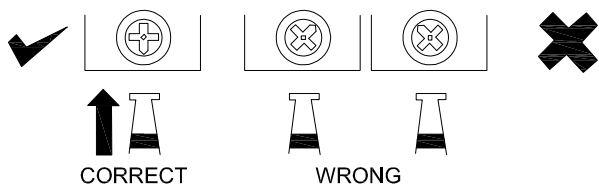
DC 5310-00

SPECIAL TIPS FOR FITTING CAM-LOCKS AND CAM BOLT

CAM-LOCK

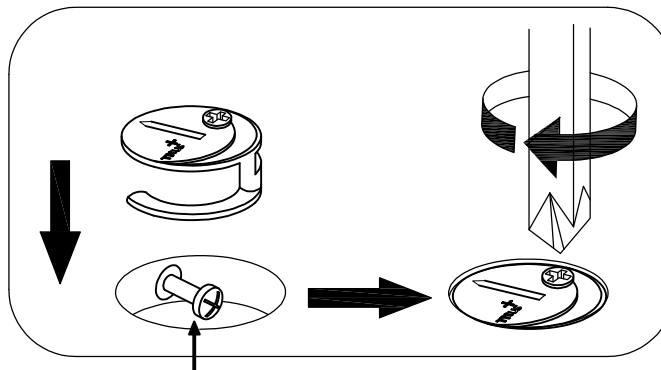


WHEN FITTING CAM-LOCK
ENSURE STARTING POSITION IS CORRECT
BEFORE YOU INSERT CONNECTING CAM BOLT
TURN CLOCKWISE UNTIL SECURE



Cam bolt head needs to be in centre

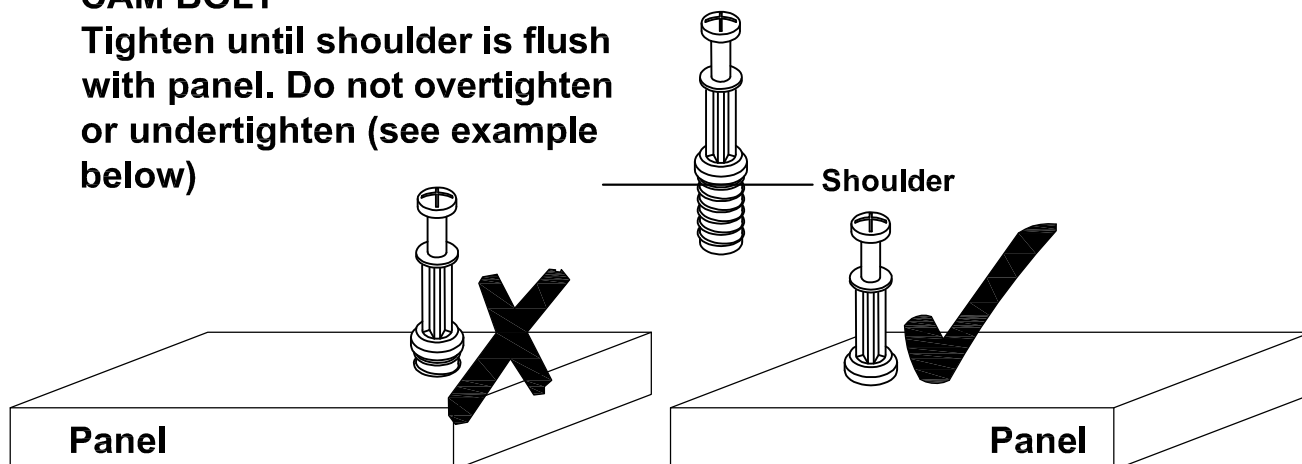
DRAWER
CAM-LOCK



Cam bolt head needs to be in centre

CAM BOLT

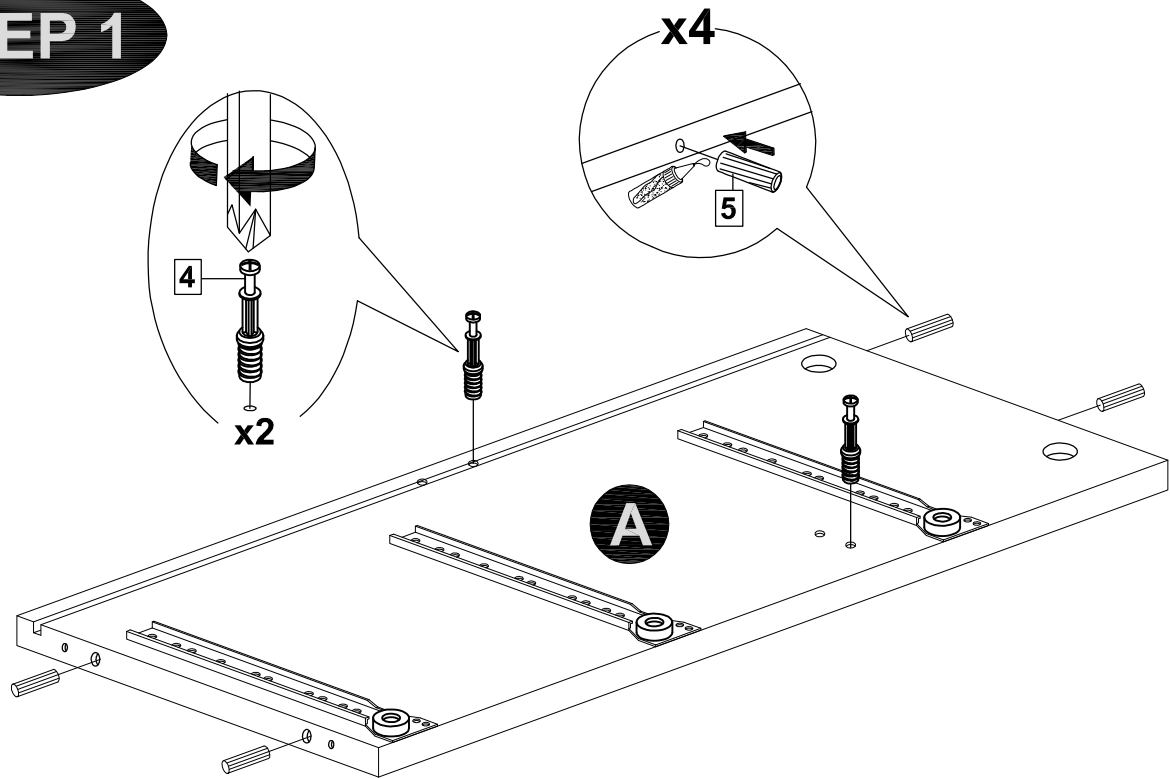
Tighten until shoulder is flush with panel. Do not overtighten or undertighten (see example below)



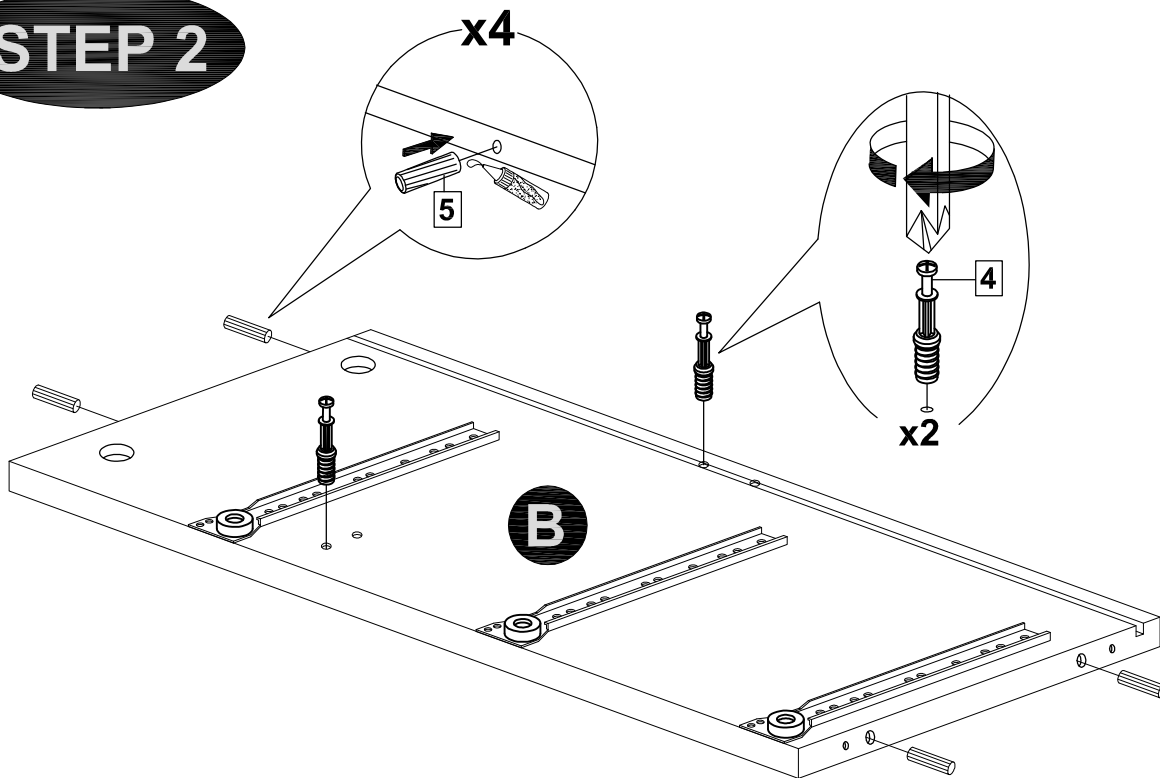
MODEL NAME:

DC 5310-00

STEP 1



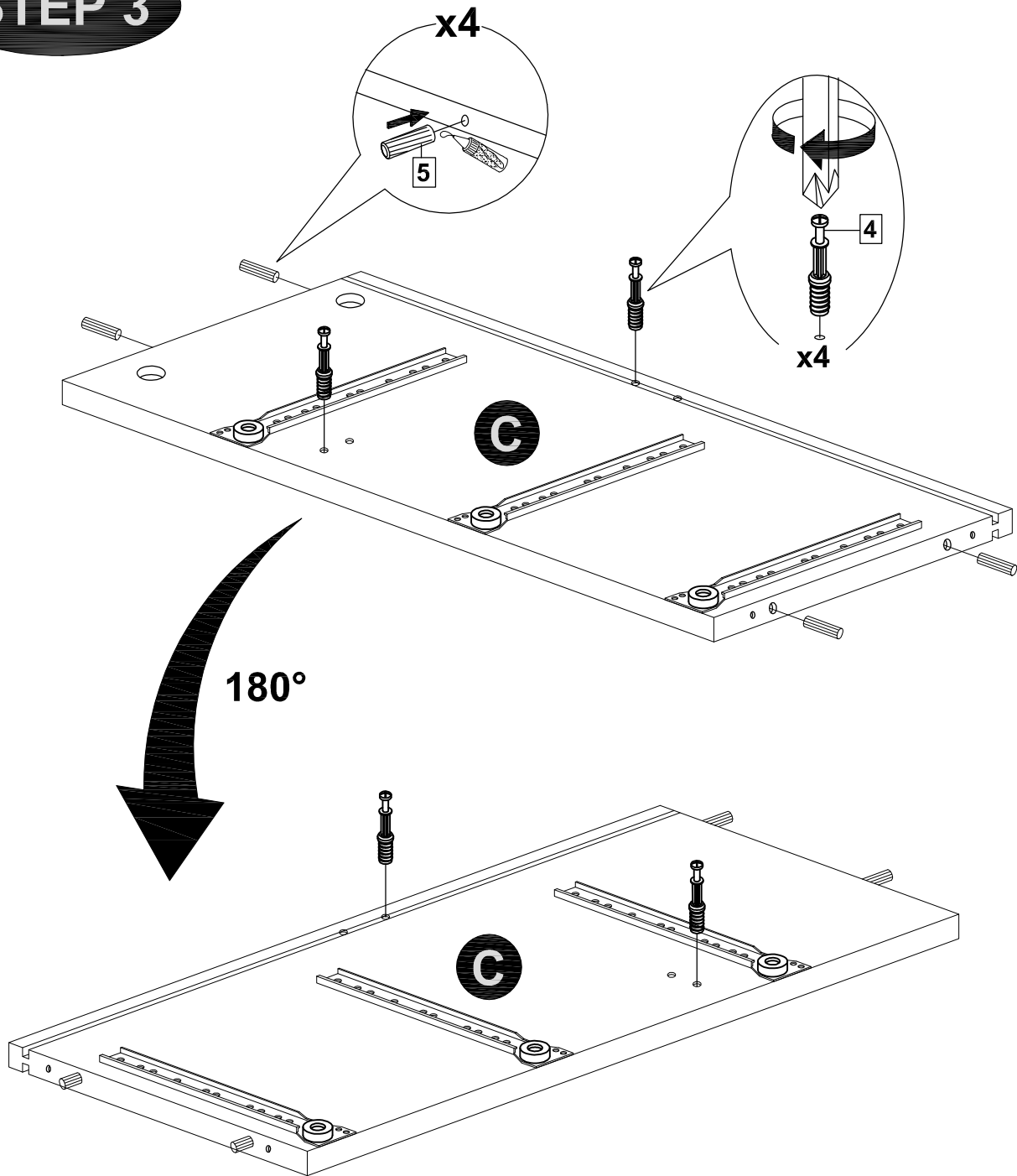
STEP 2



MODEL NAME:

DC 5310-00

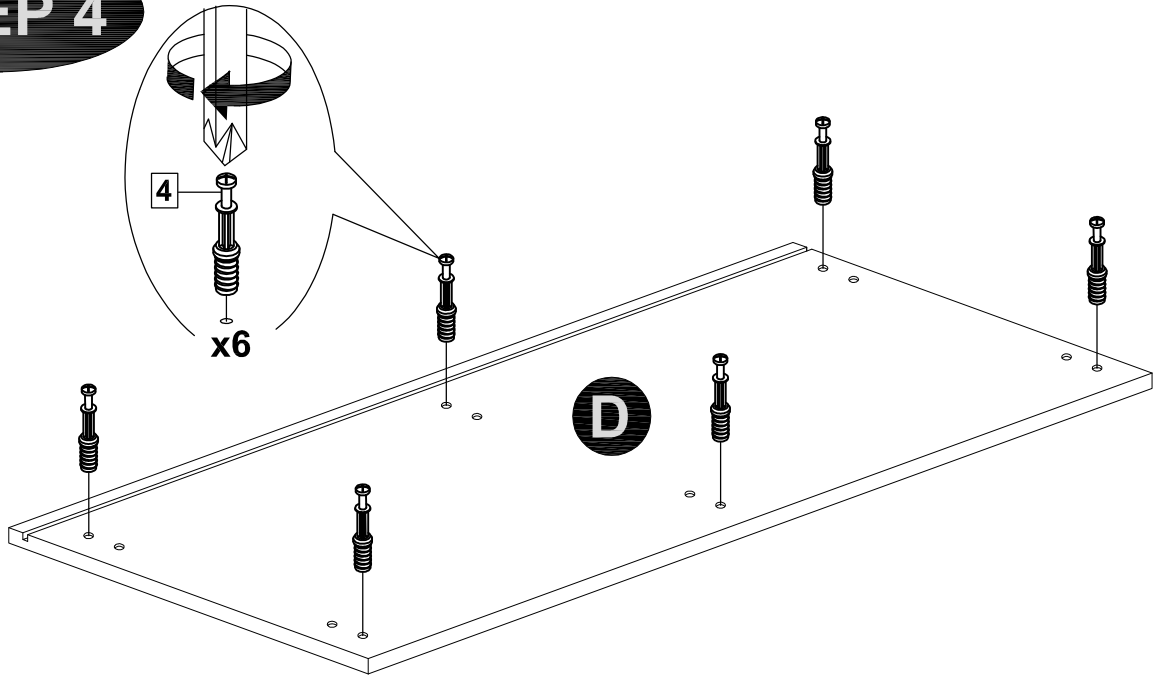
STEP 3



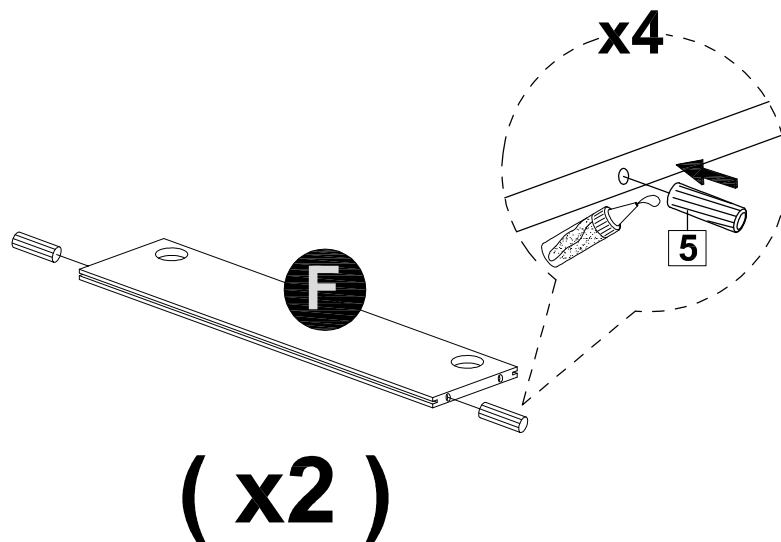
MODEL NAME:

DC 5310-00

STEP 4



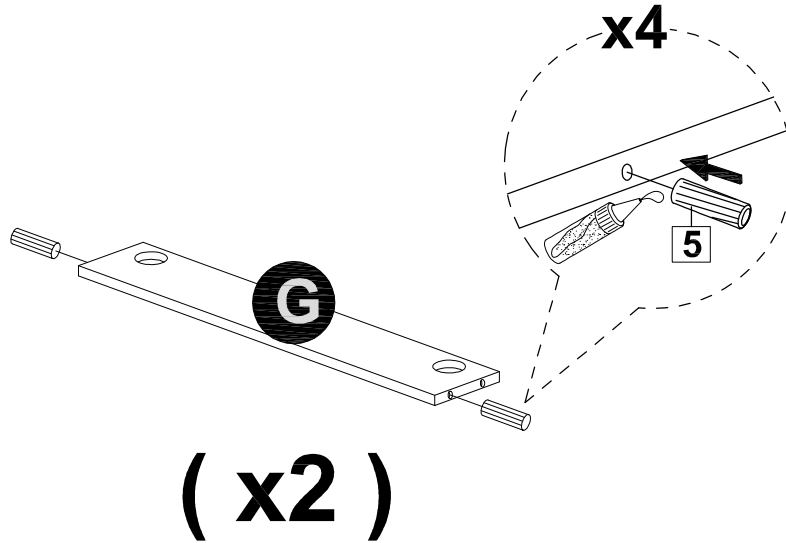
STEP 5



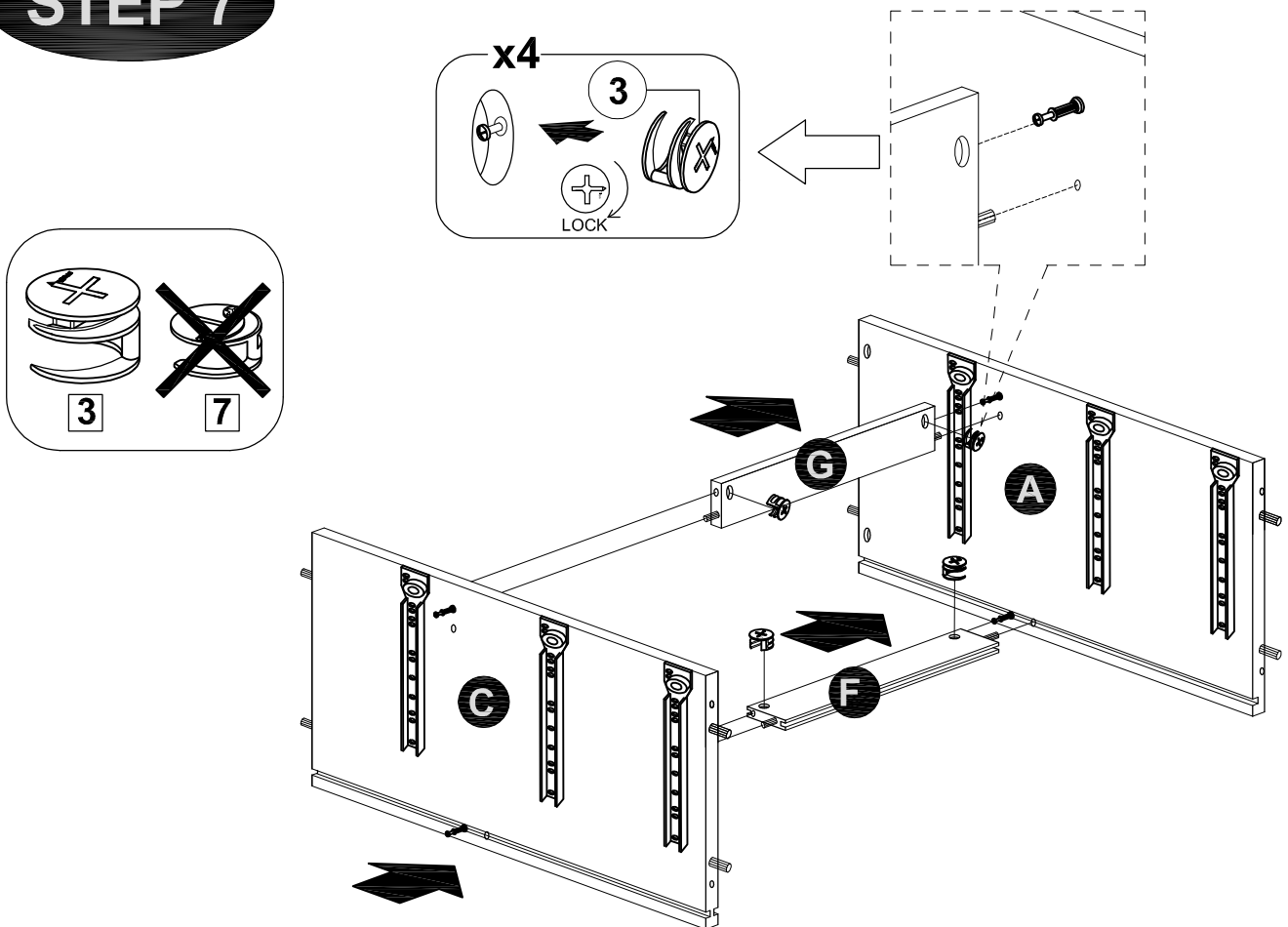
MODEL NAME:

DC 5310-00

STEP 6



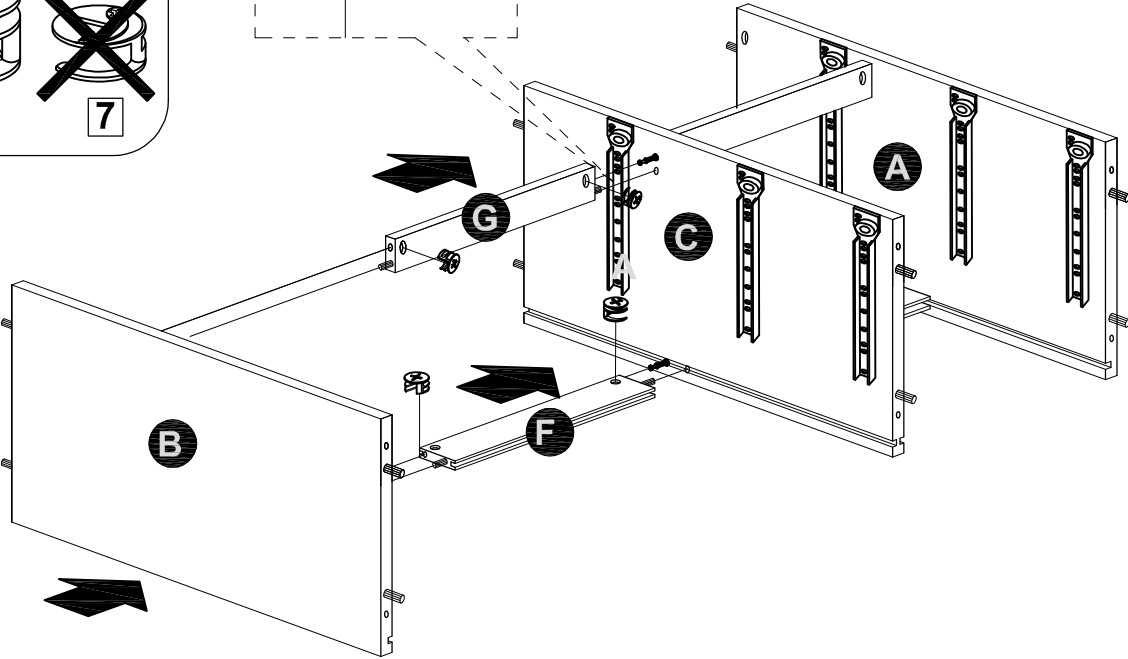
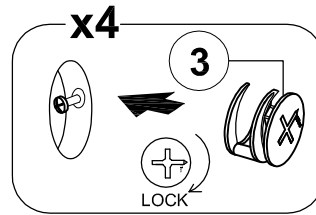
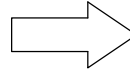
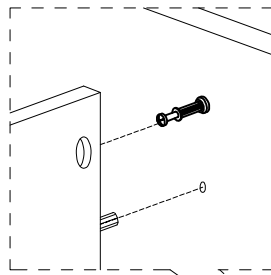
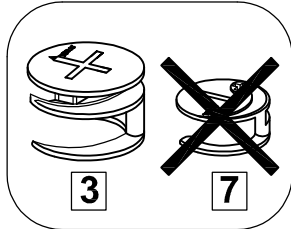
STEP 7



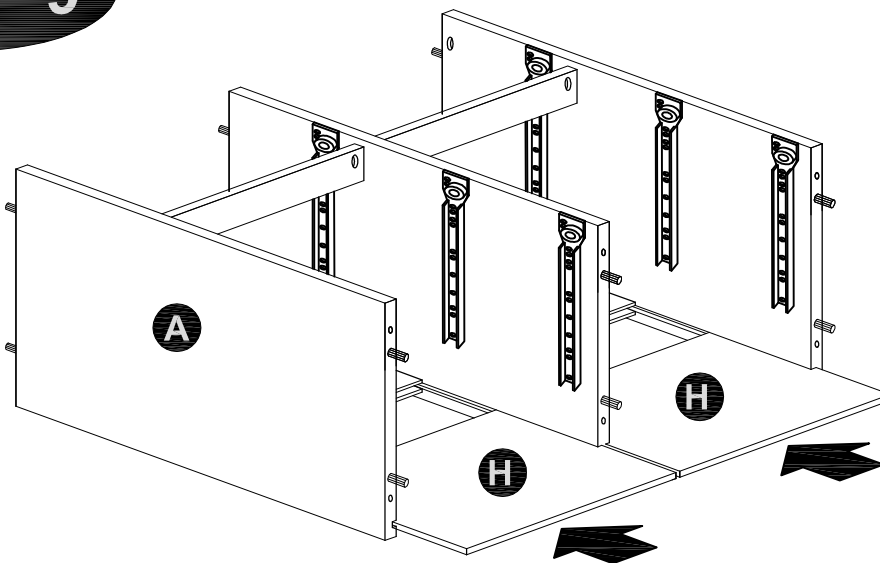
MODEL NAME:

DC 5310-00

STEP 8



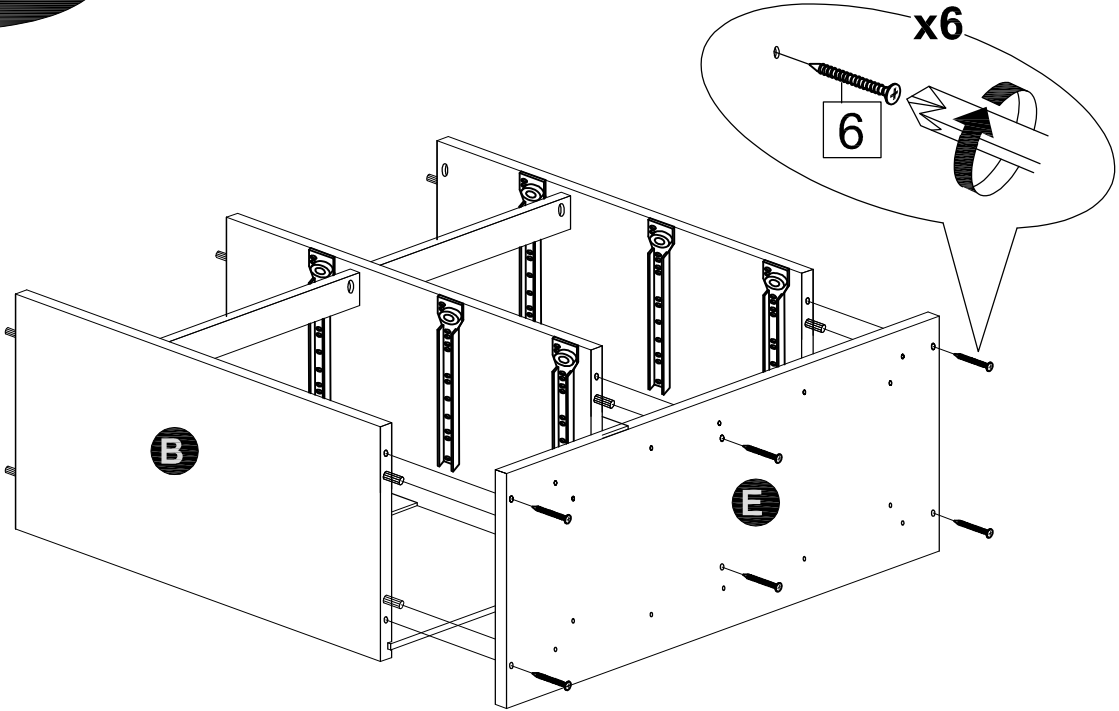
STEP 9



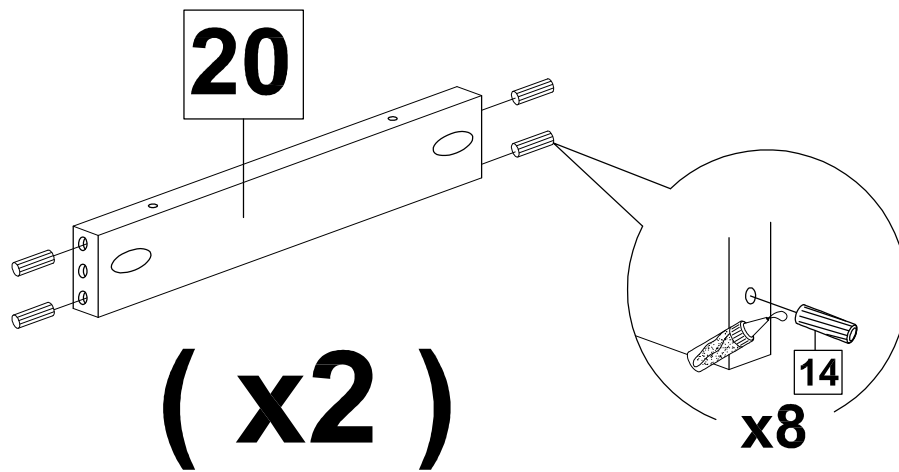
MODEL NAME:

DC 5310-00

STEP 10



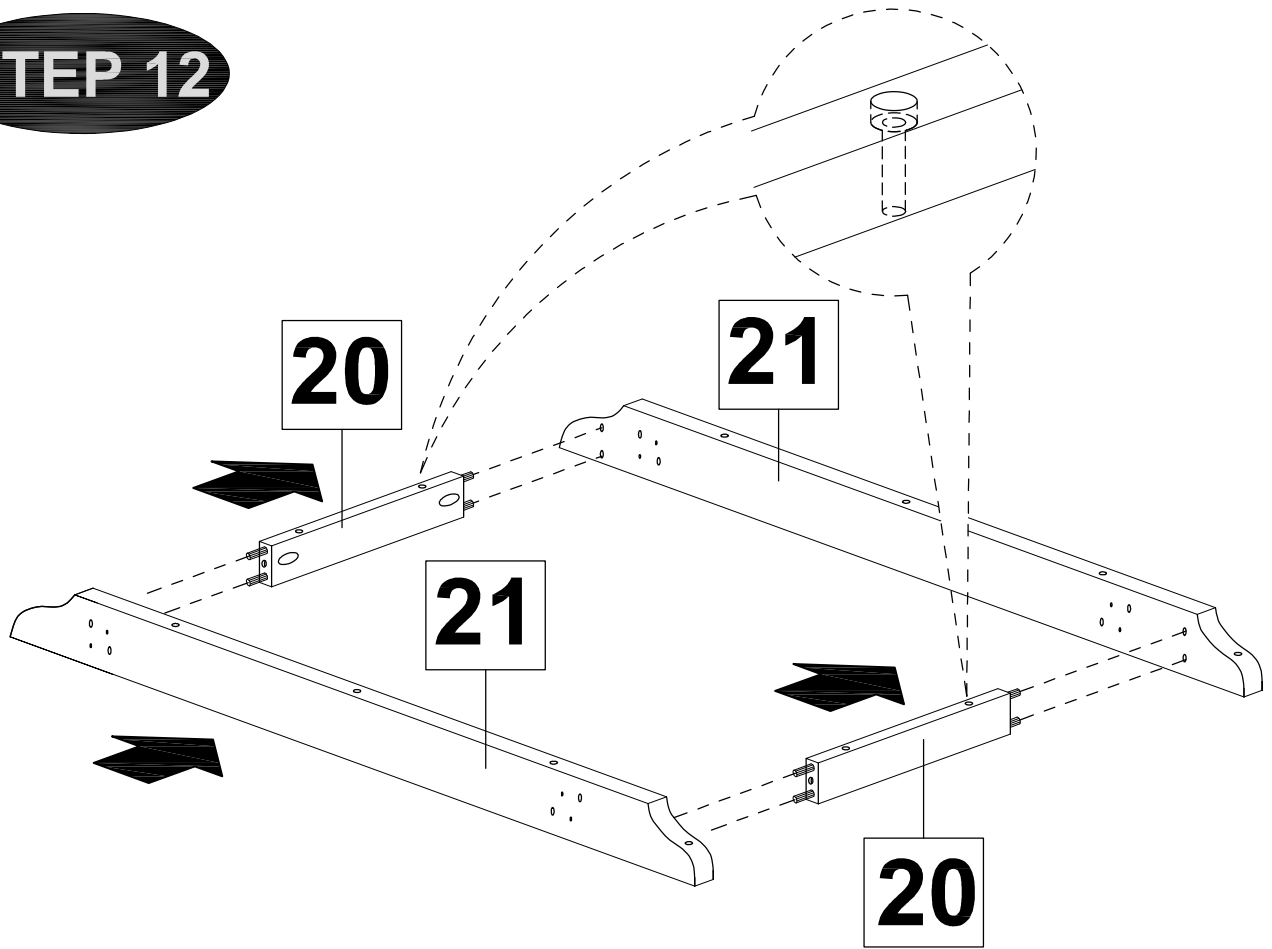
STEP 11



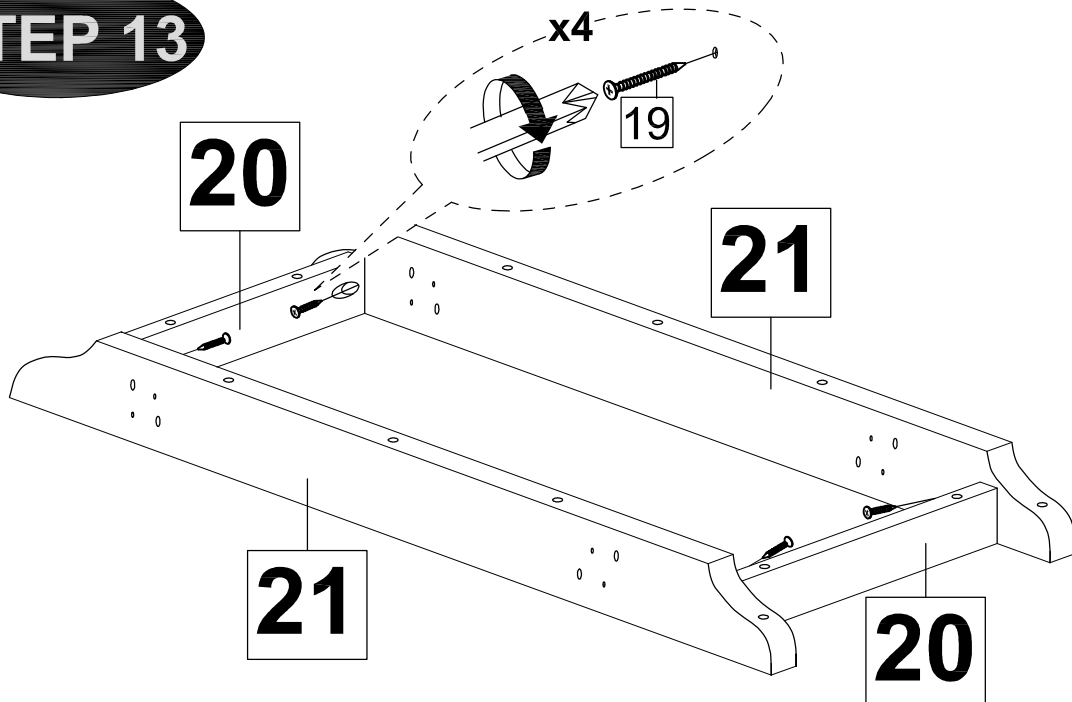
MODEL NAME:

DC 5310-00

STEP 12



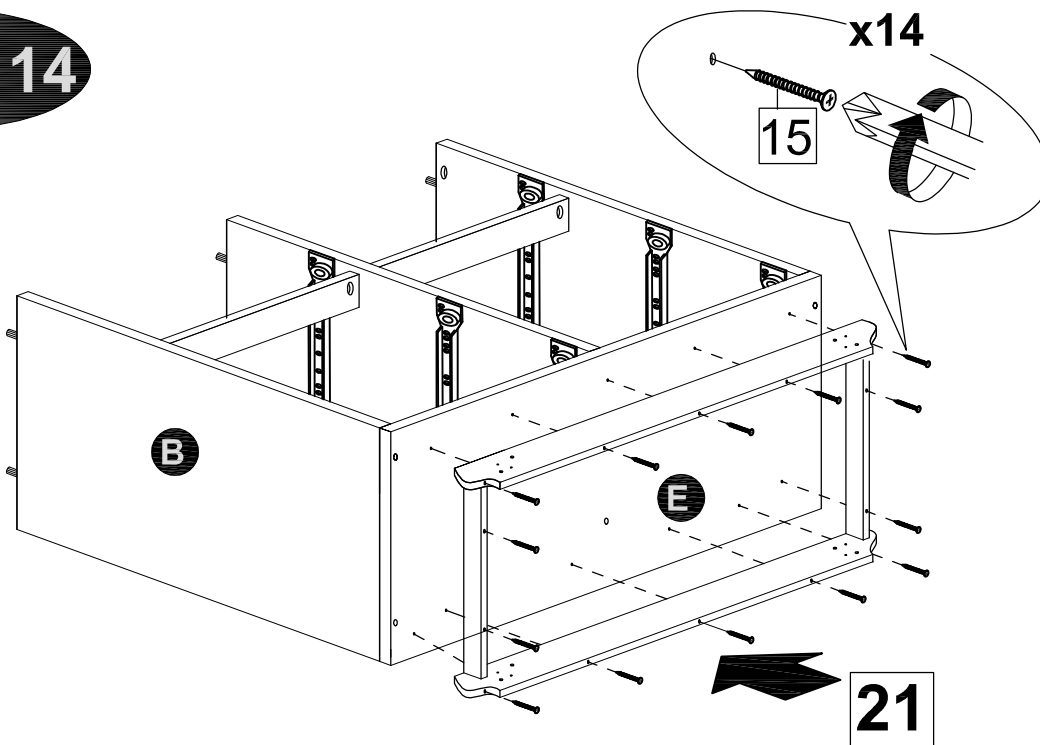
STEP 13



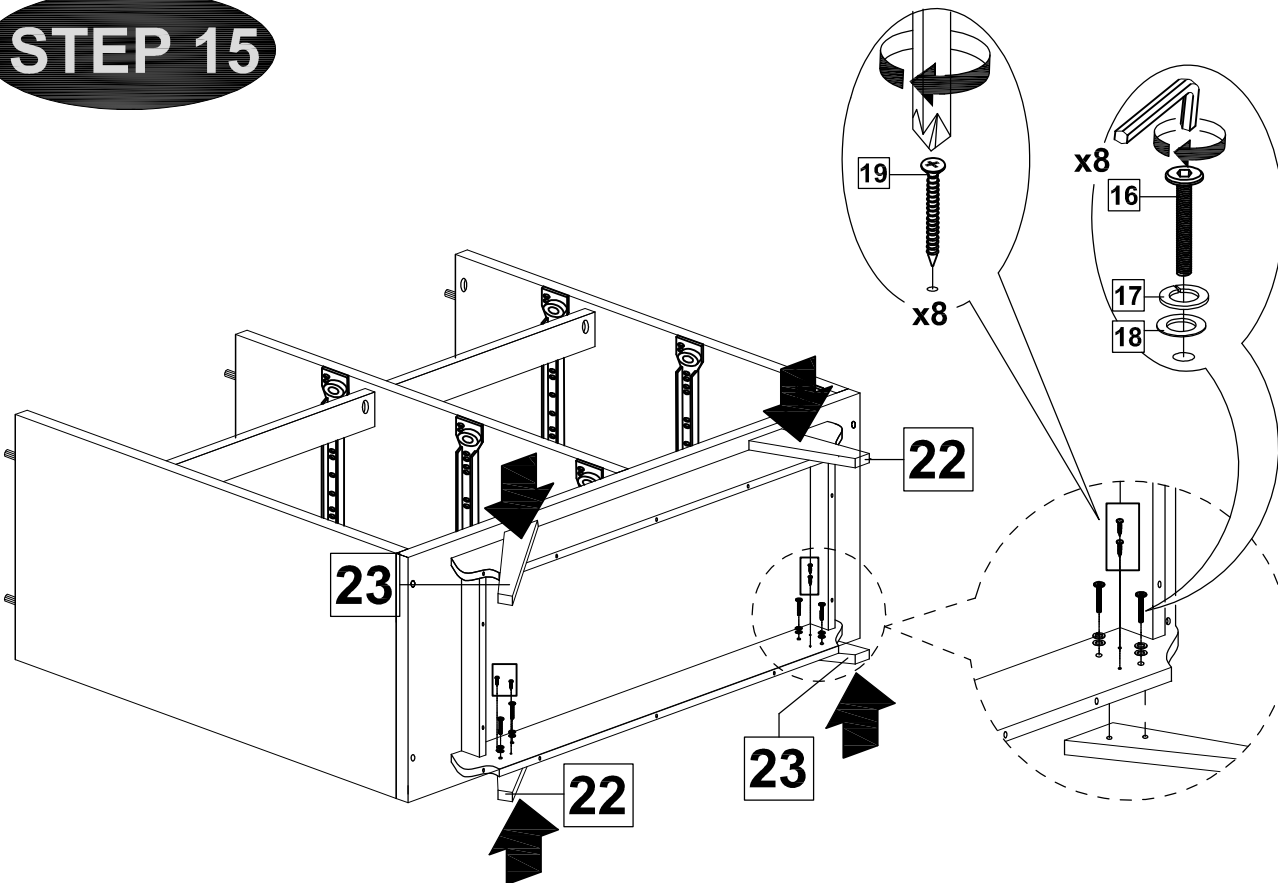
MODEL NAME:

DC 5310-00

STEP 14



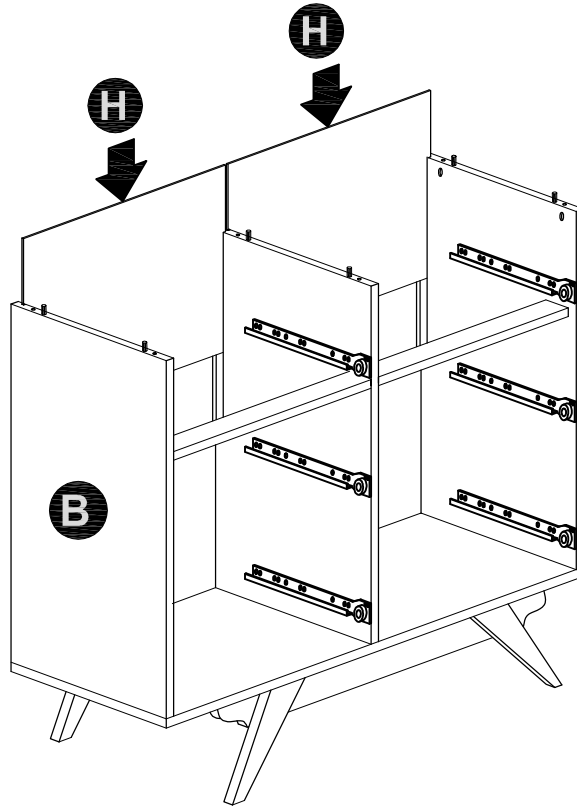
STEP 15



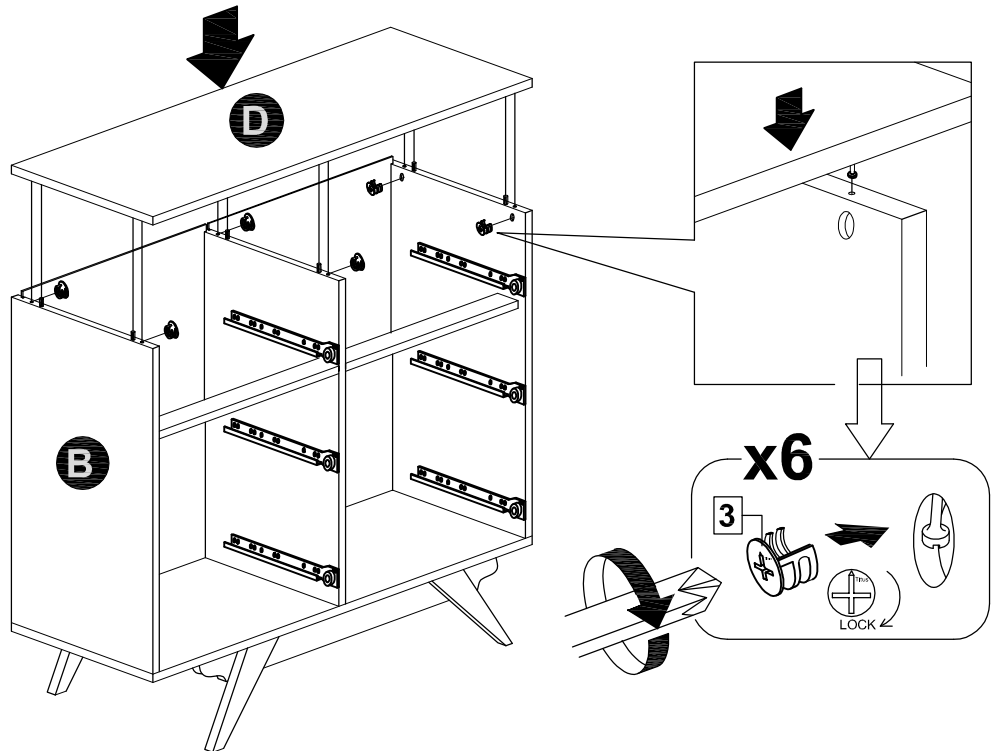
MODEL NAME:

DC 5310-00

STEP 16



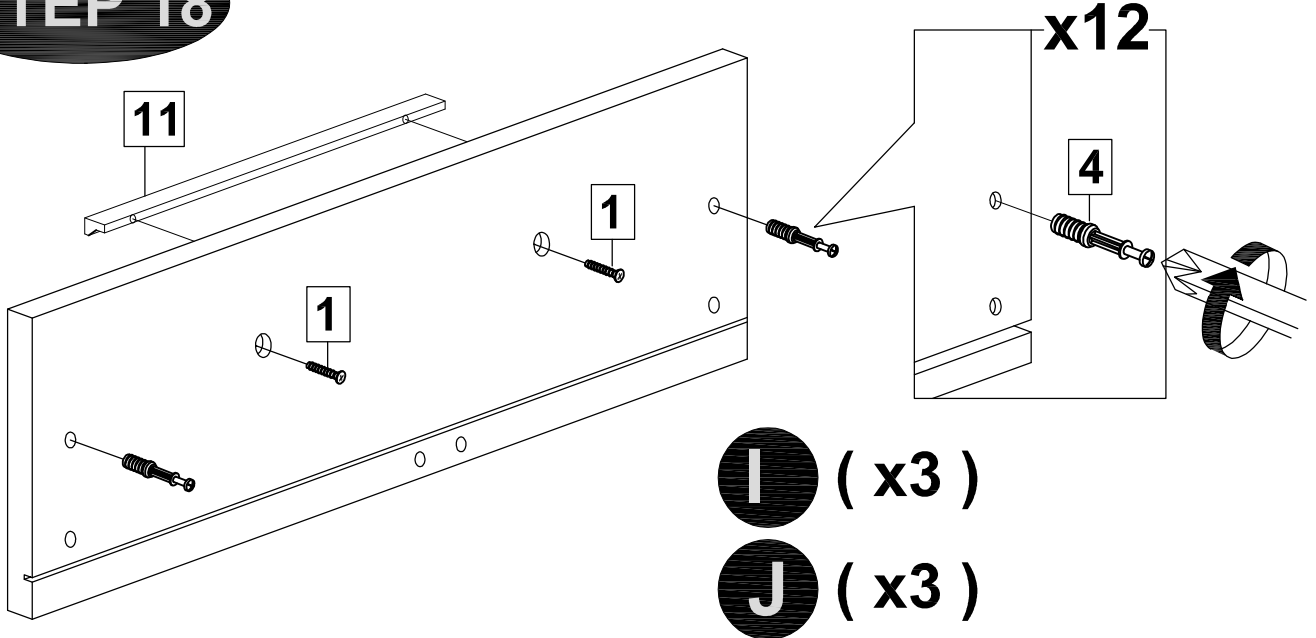
STEP 17



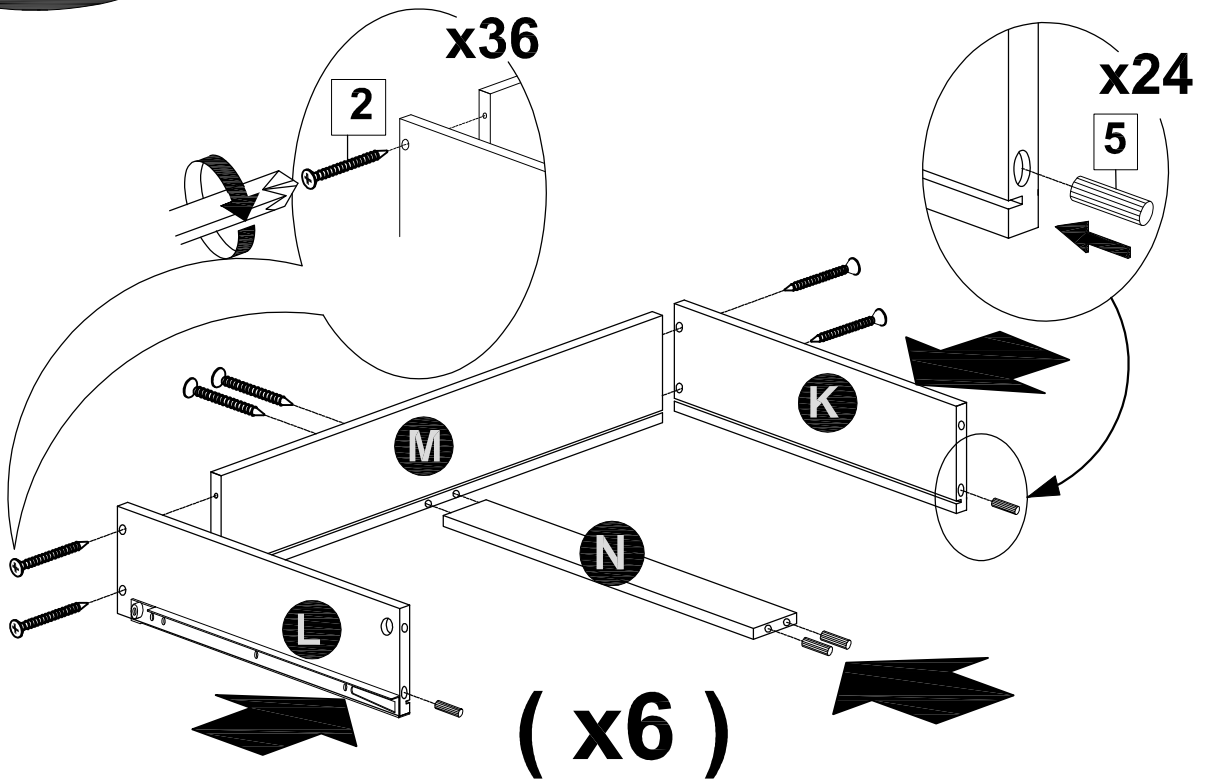
MODEL NAME:

DC 5310-00

STEP 18



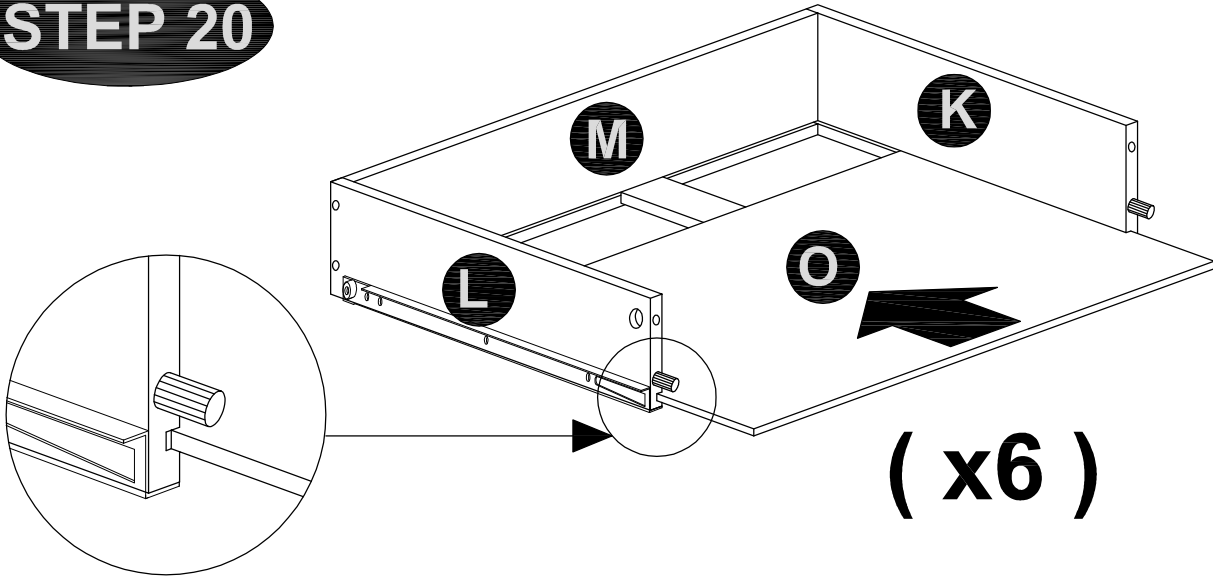
STEP 19



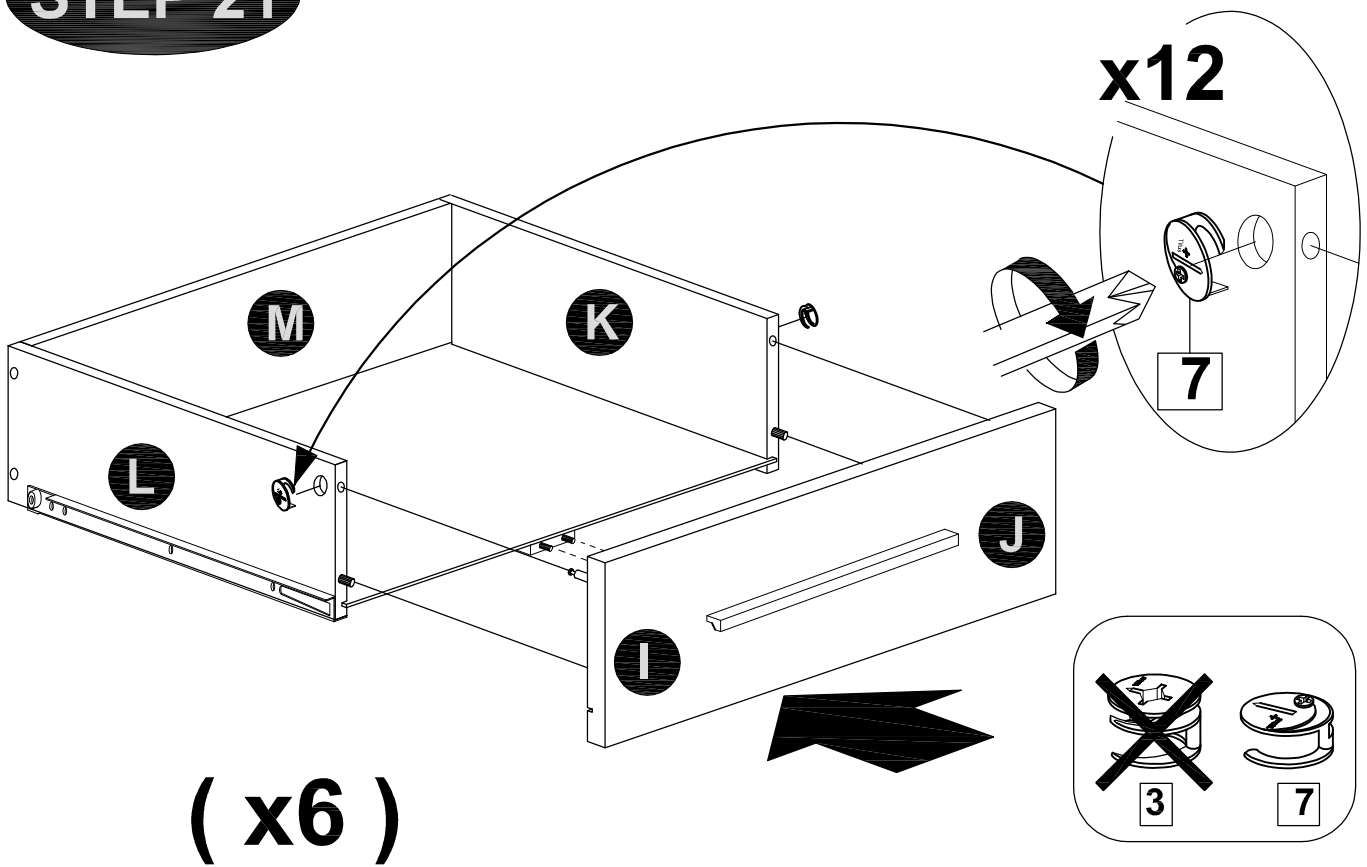
MODEL NAME:

DC 5310-00

STEP 20



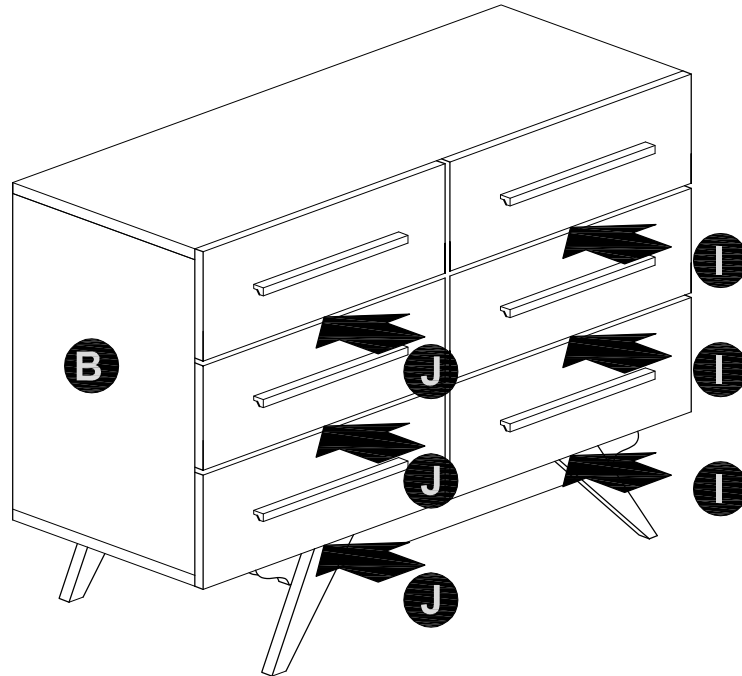
STEP 21



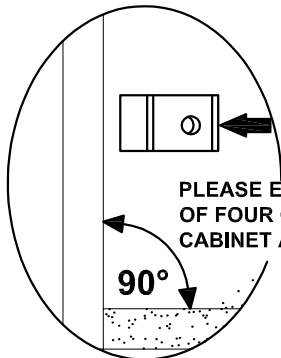
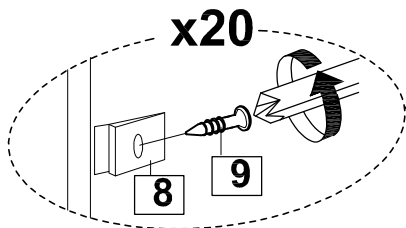
MODEL NAME:

DC 5310-00

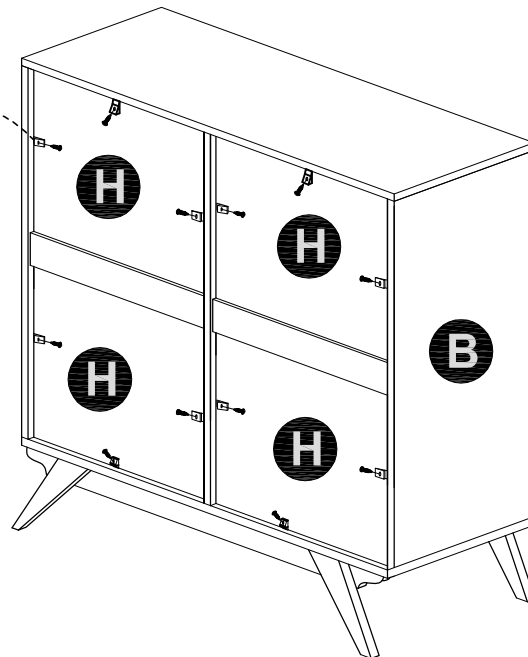
STEP 22



STEP 23



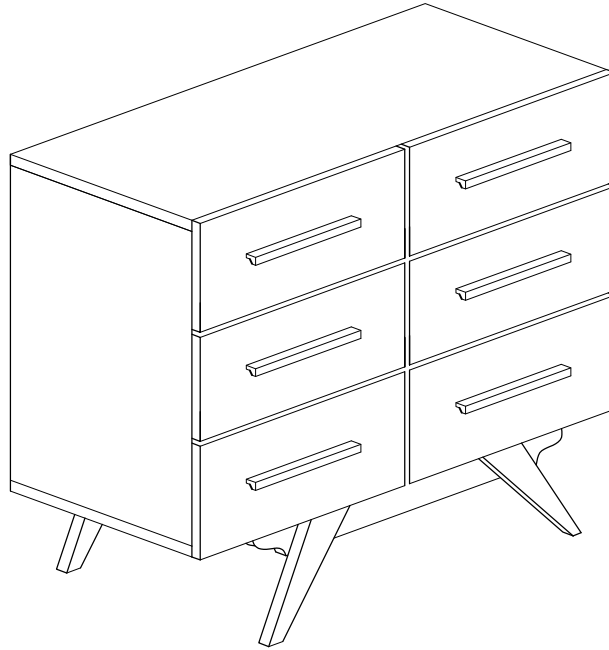
PLEASE ENSURE THAT EACH OF FOUR CORNERS OF CABINET ARE SQUARE



MODEL NAME:

DC 5310-00

STEP 24



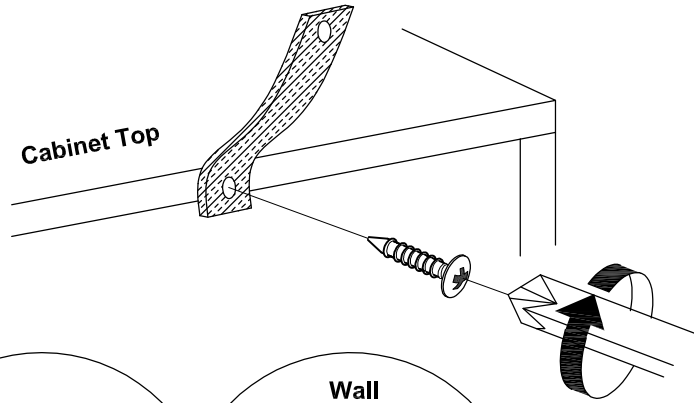
SAFETY WARNING :

It is recommended that you fit the anti-tip bracket to this item to avoid tipping and causing injury.

FITTING OF ANTI-TIP BRACKET

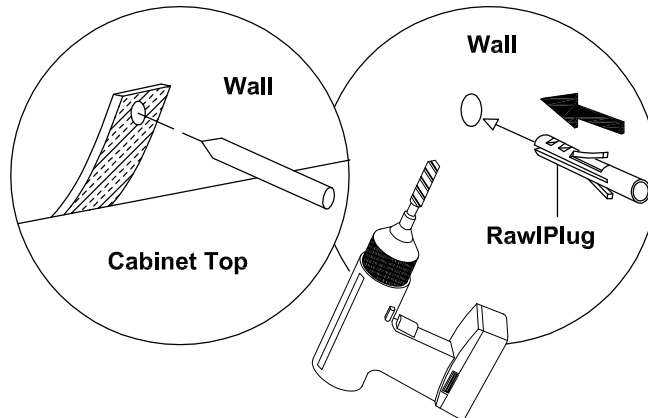
STEP 1 :

Insert screws through bracket into pre-drilled holes in cabinet.



STEP 2 :

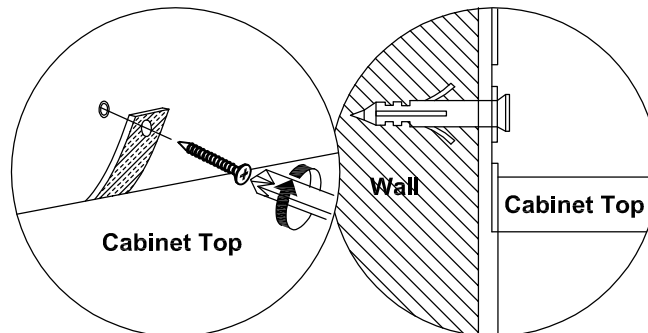
Make a mark on the wall through the bracket.



Drill a hole in the wall and insert the rawlplug.

STEP 3 :

Insert screw through bracket into hole in wall



NOTE : Wall fixings are not supplied with this product as different wall materials require different types of fixing devices (such as Rawl plugs on brick work). You must use fixing devices suitable for the type of wall you intend to mount this product to. Please ensure that the head of any screw used has a diameter greater than the diameter of the mounting hole on the bracket and that the fixing is safe and secure before use.

The screw supplied is to fix the anti-tip strap to the cabinet.

HARDWARE LIST



Anti-Tip Strap - 2pcs



M4 x 16MM - 2pcs