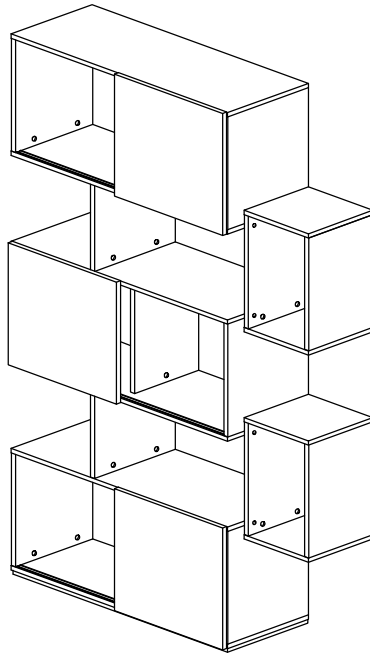
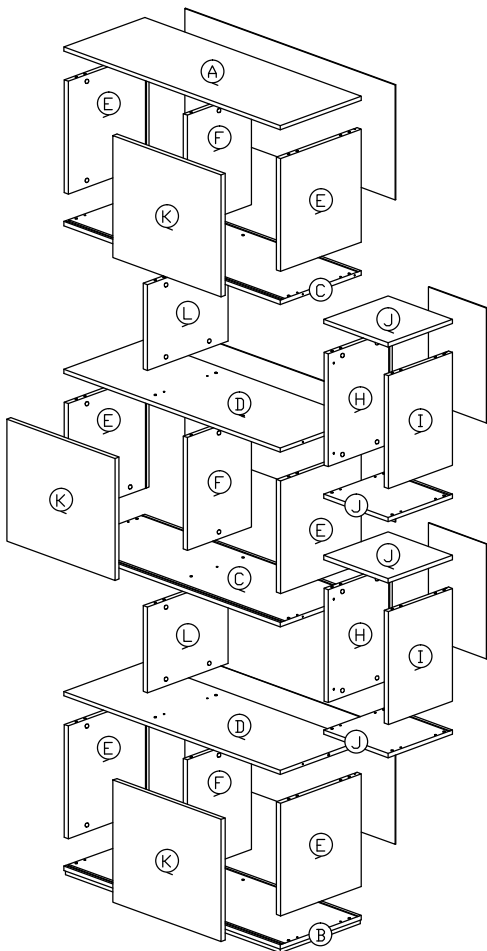


Assembly Instruction

Model : D - 300



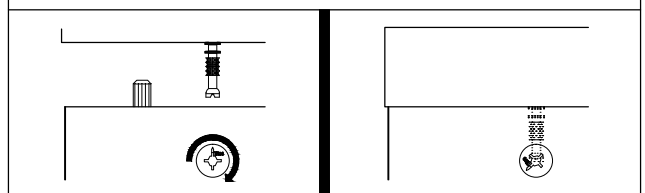
Part List



Hardware List

No.	SHAPE	DESCRIPTION	Qty.
1		8x25mm Wood Dowel	64Pcs
2		15MM Titus Mini Fix	54Sets
3		M3x12mm Screw	24Pcs
4		M5x38mm Screw	8Pcs
5		Nail Leg	6Pcs
6		15mm Minifix Cap	54Pcs
7		Screw Cap	8Pcs
8		PVC Sliding Lining - LH137 (769mm)	3Pcs
9		PVC Sliding Lining - M118 (769mm)	3Pcs
10		Sliding Roller T446	6Sets
11		M3x16mm Screw	24Pcs
12		Z Bracket	12Pcs

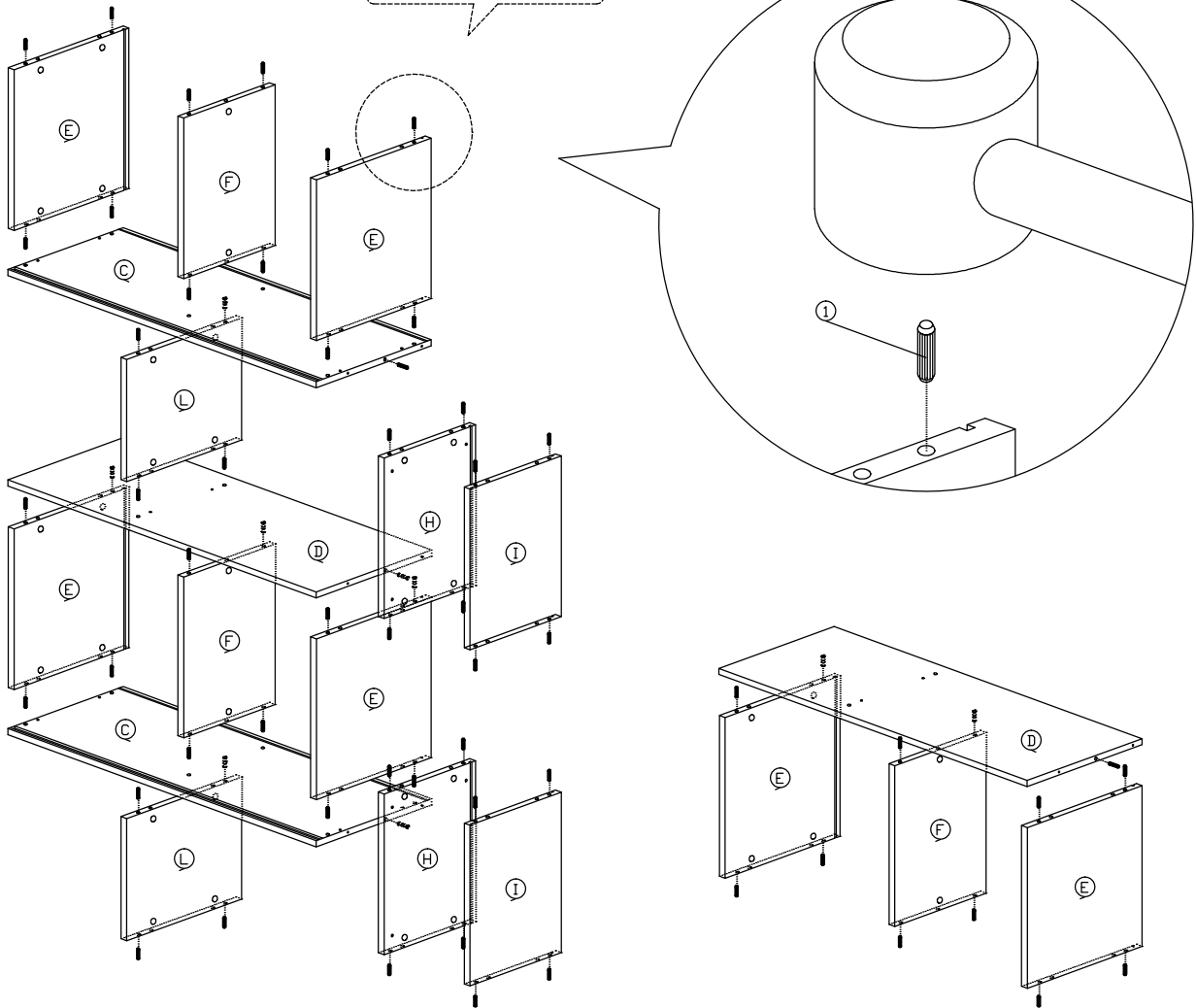
Dowel / Cam - Lock Installation



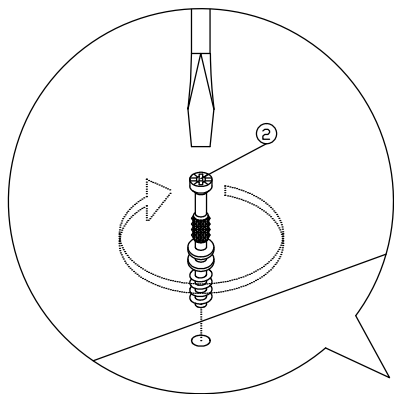
Assembly Instruction

Step 1

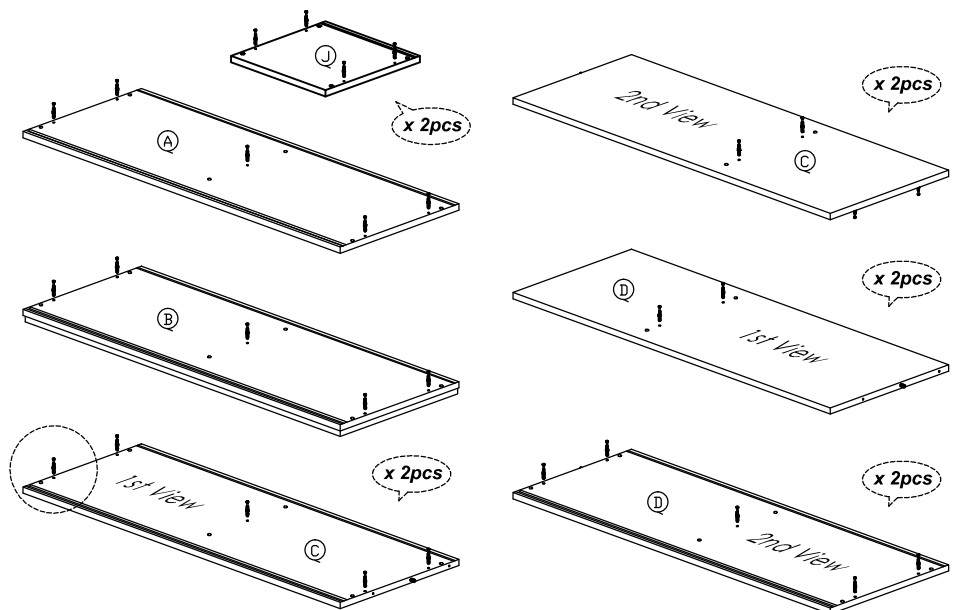
**Install Wood Dowel into all panels as shown.*



Step 2



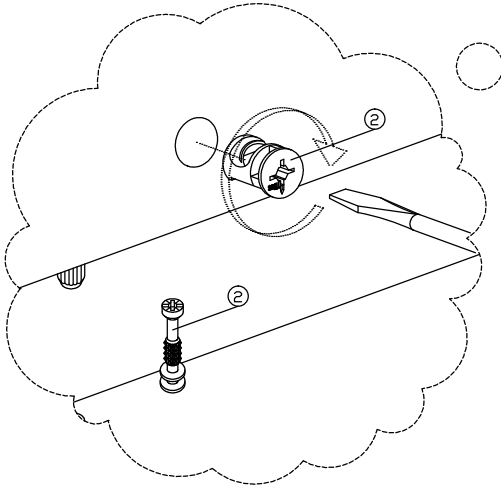
**Install minifix bolt to all panels as shown above.*



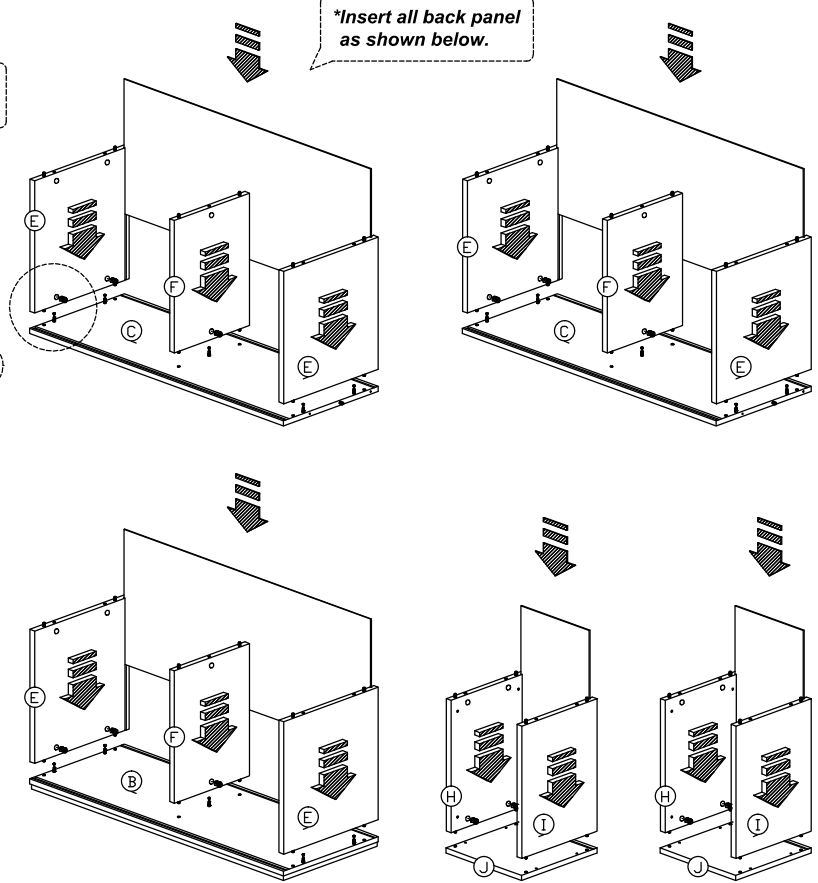
Assembly Instruction

Step 3

*Assemble all panels, secure with Minifix as shown below.

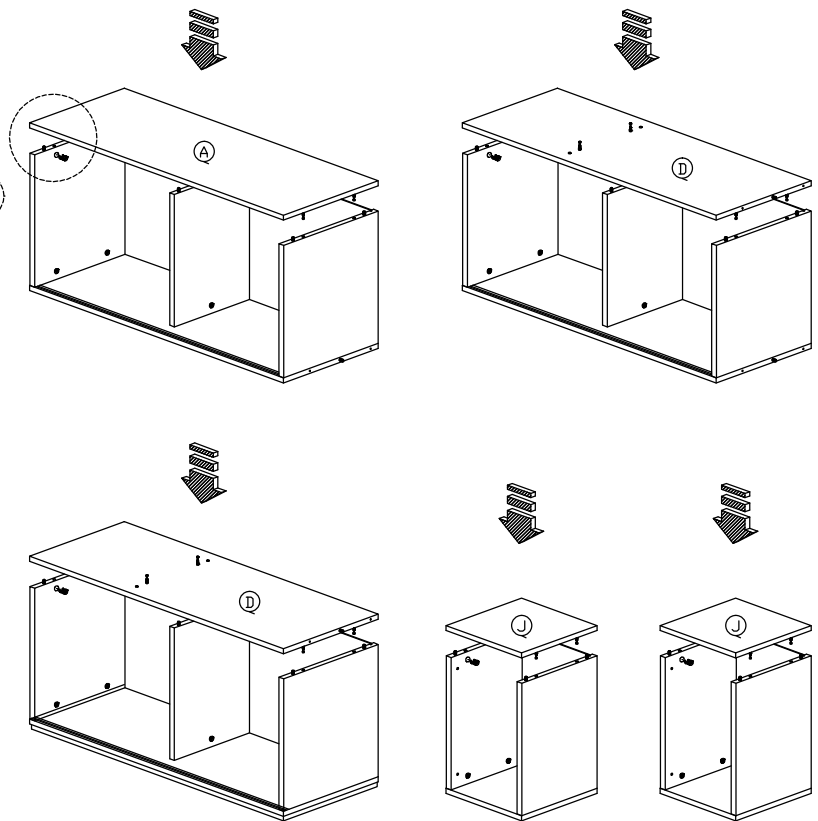
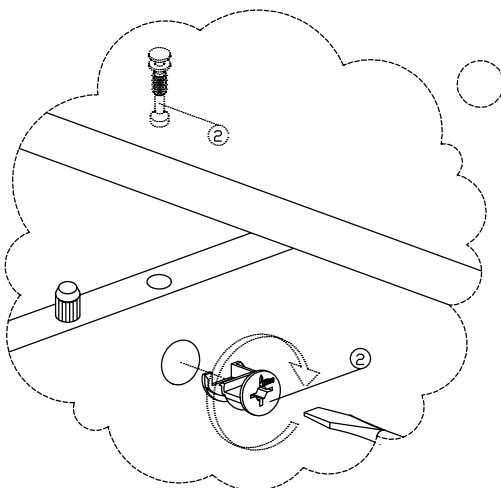


*Insert all back panel as shown below.



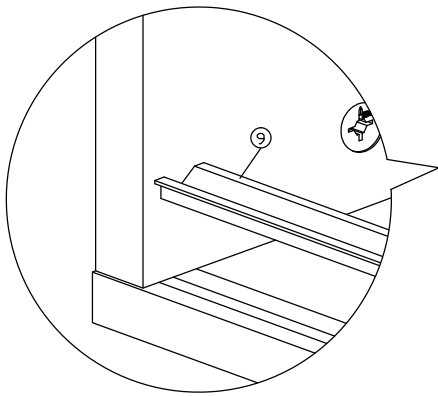
Step 4

*Assemble all panels, secure with Minifix as shown below.

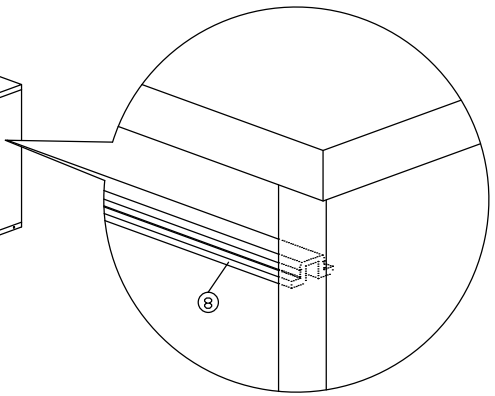
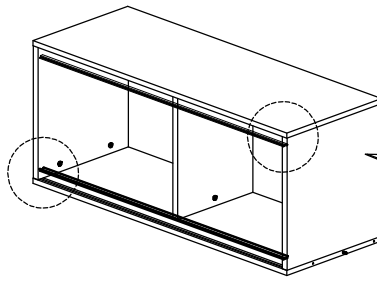


Assembly Instruction

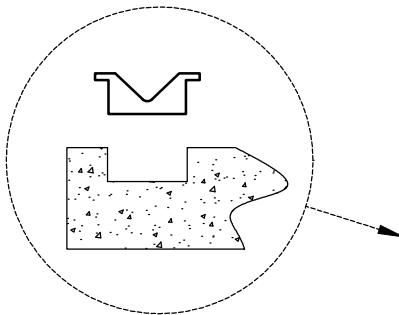
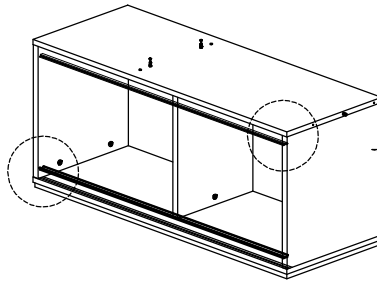
Step 5



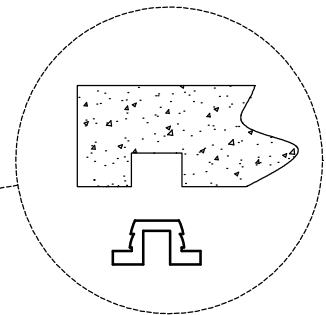
**Install lining M118 to bottom panel as shown. (follow this step to other panels)*



**Install lining LH137 to top panel as shown. (follow this step to other panels)*

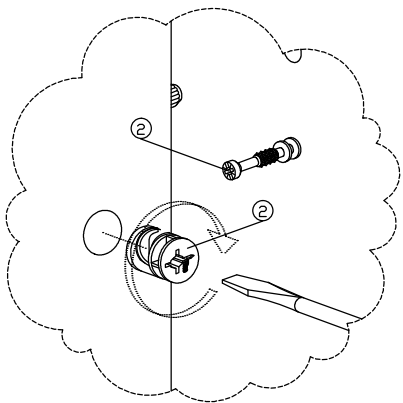


*DIRECTIONS
(SIDE VIEW)*

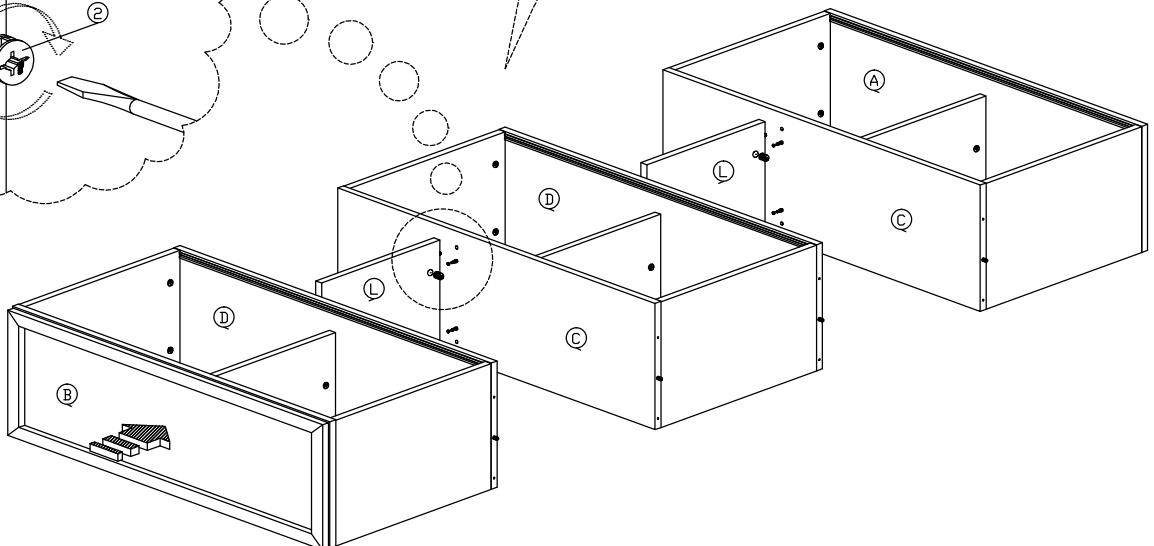


*DIRECTIONS
(SIDE VIEW)*

Step 6

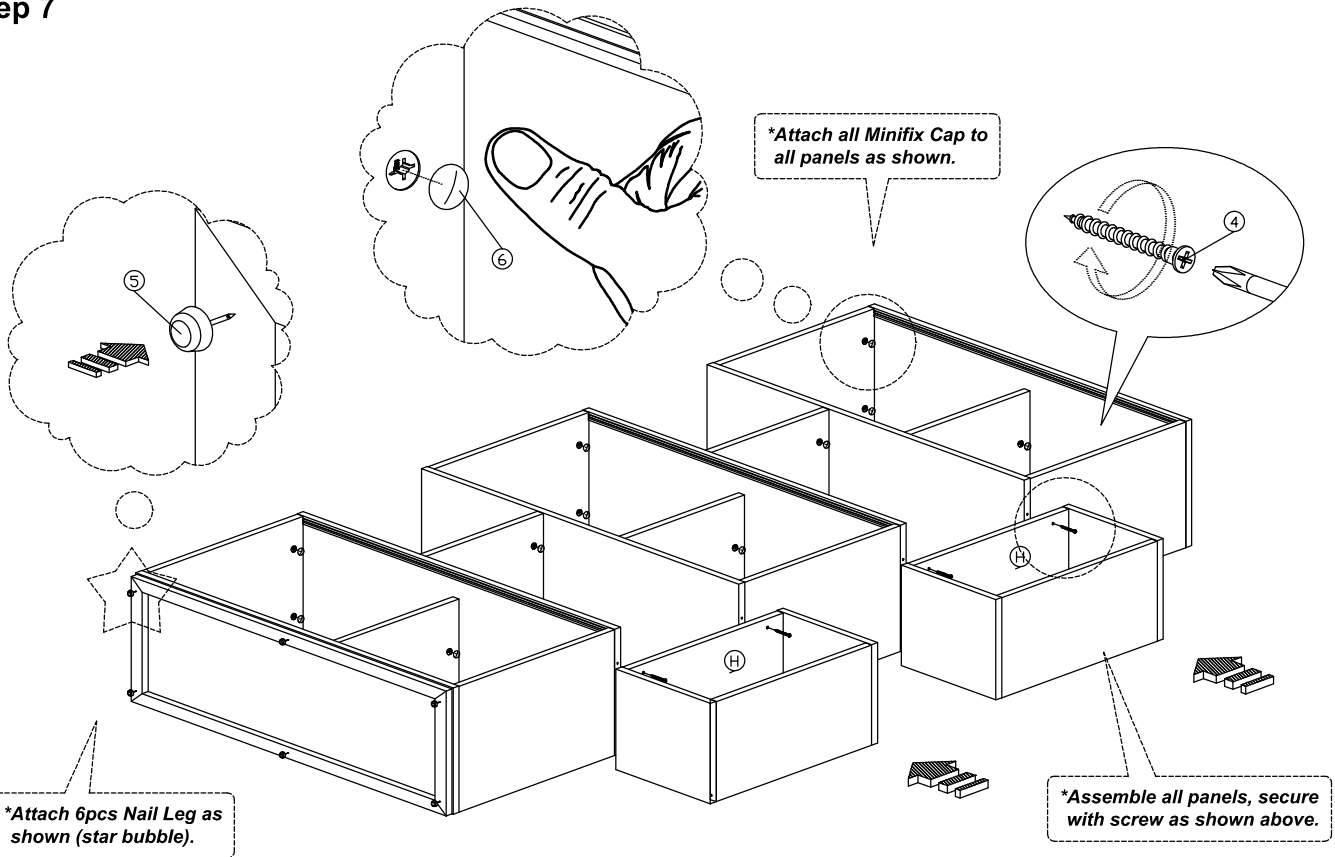


**Assemble all panels, secure with Minifix as shown below. (Use the same steps)*

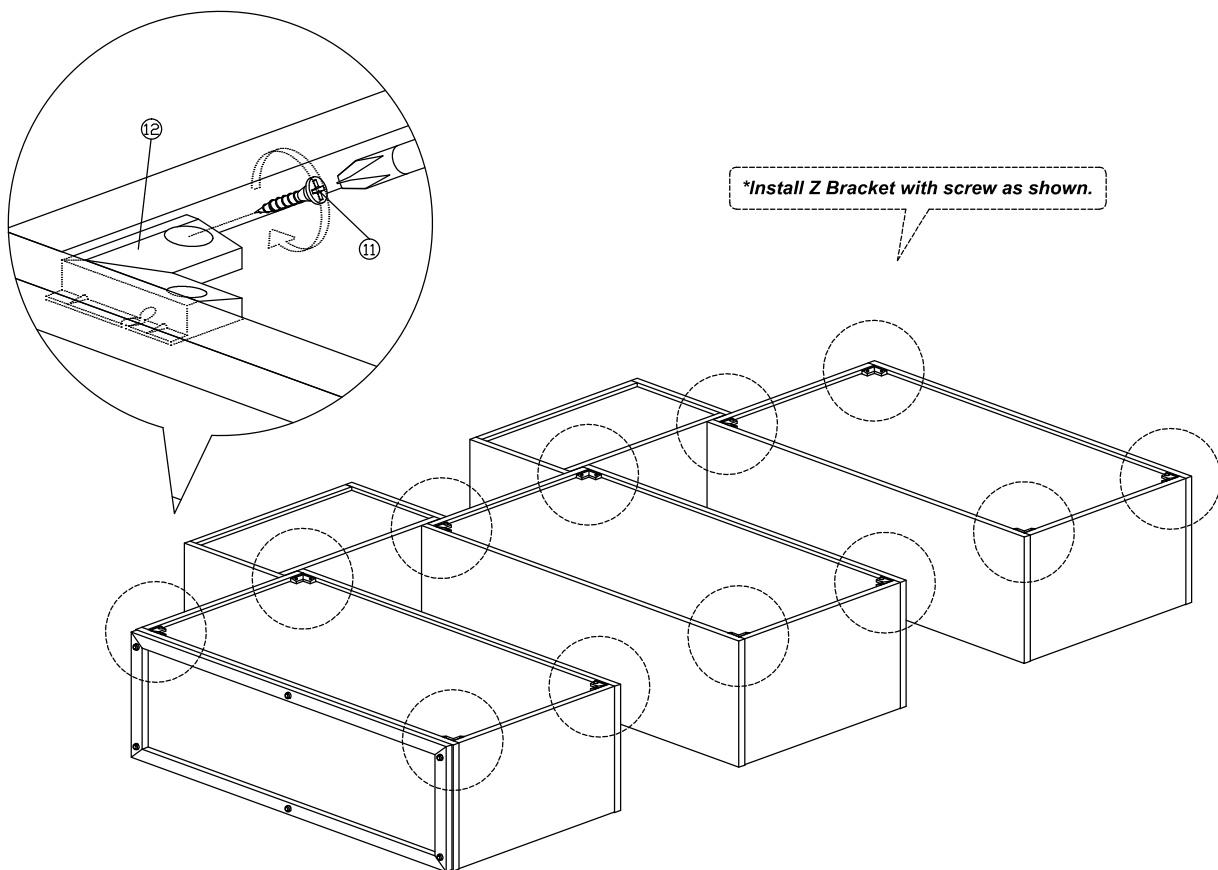


Assembly Instruction

Step 7

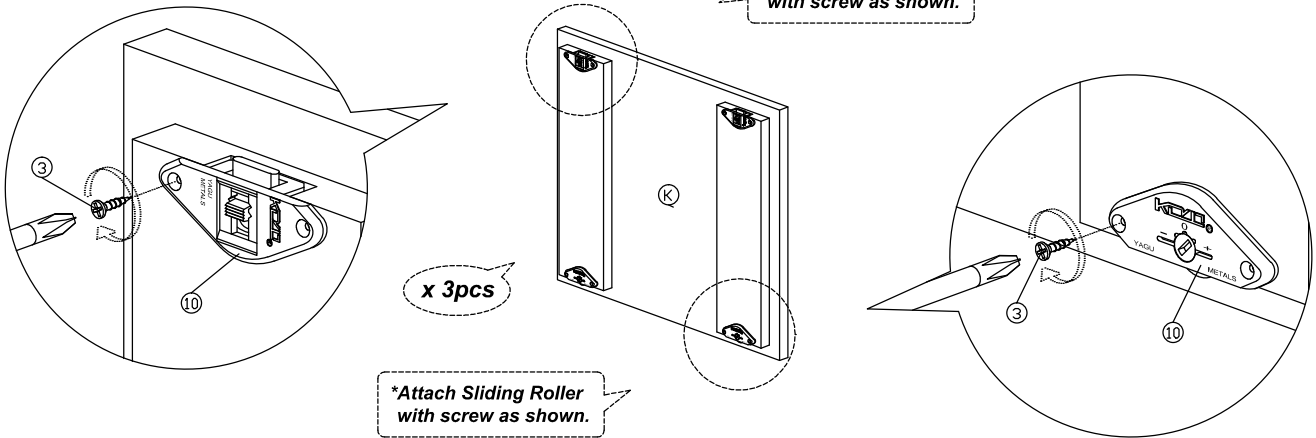


Step 8



Assembly Instruction

Step 9



Step 10

