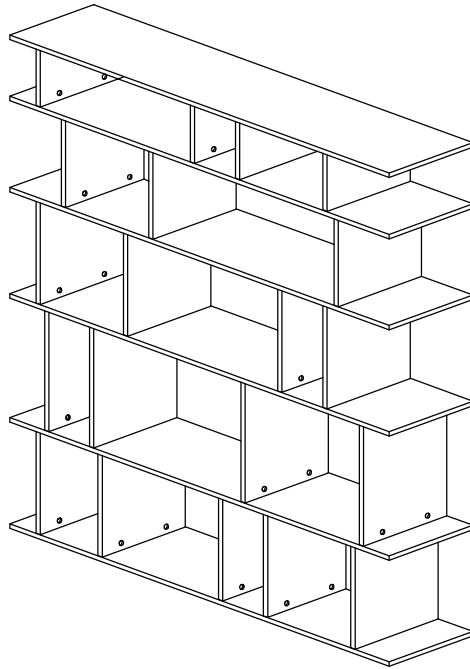
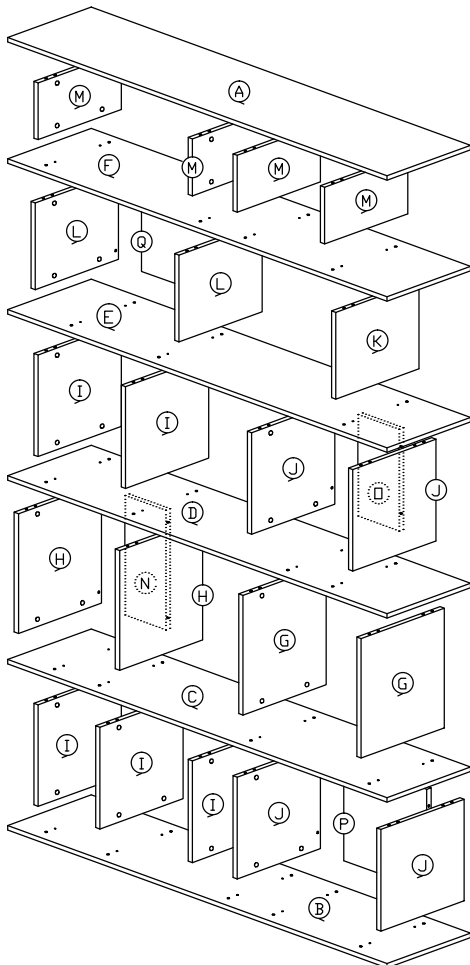


Assembly Instruction

Model : D - 293



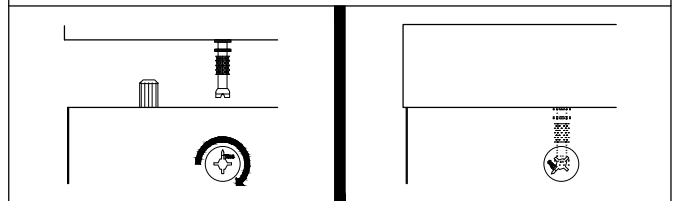
Part List



Hardware List

No.	SHAPE	DESCRIPTION	Qty.
1		8x25mm Wood Dowel	96Pcs
2		15MM Titus Minifix	80Sets
3		15mm Minifix Cap	80Pcs
4		Nail Leg	8Pcs

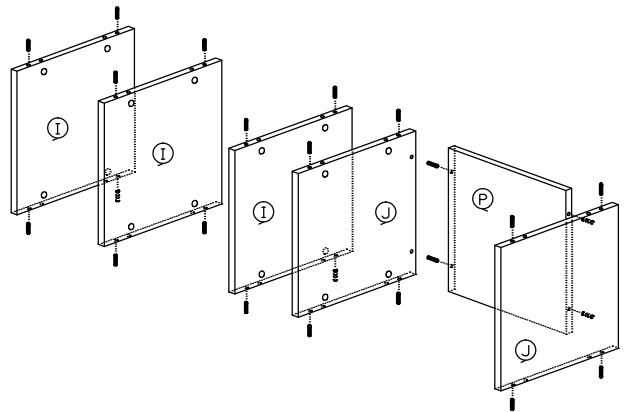
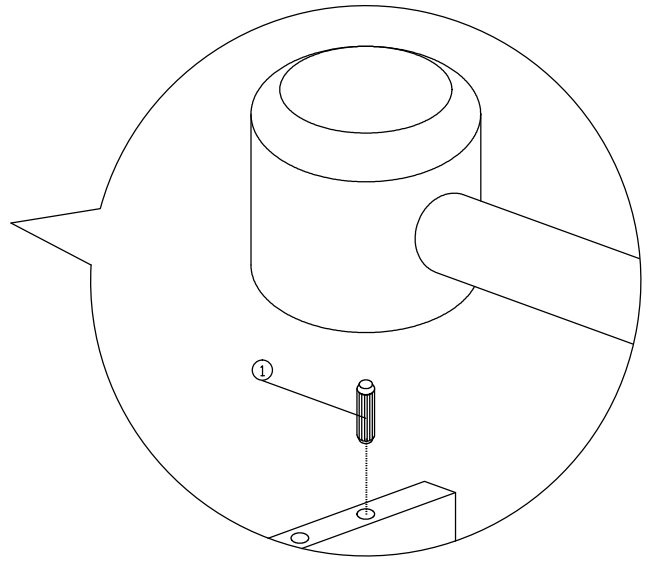
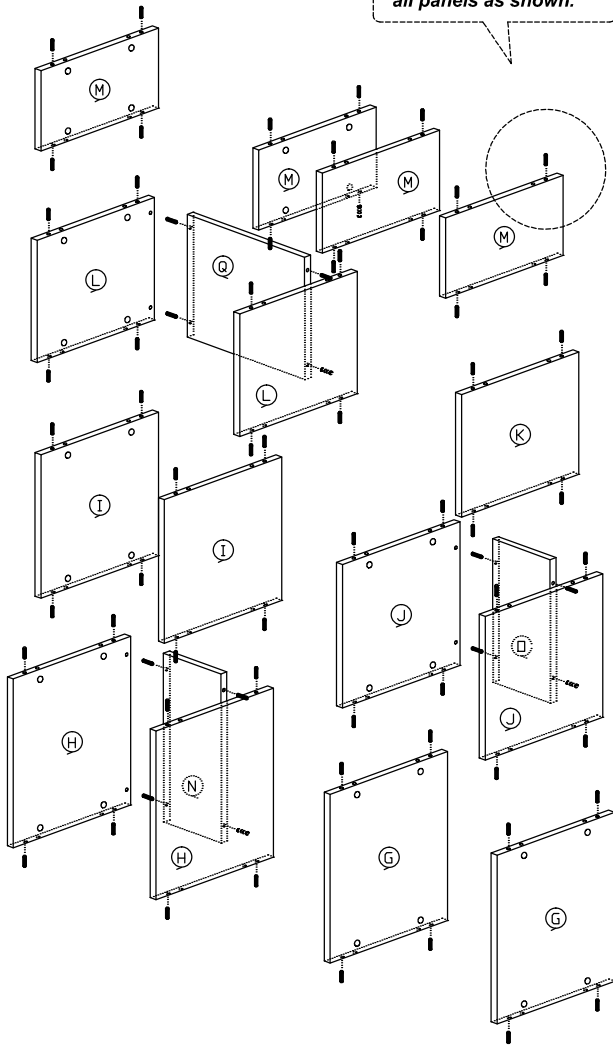
Dowel / Cam - Lock Installation



Assembly Instruction

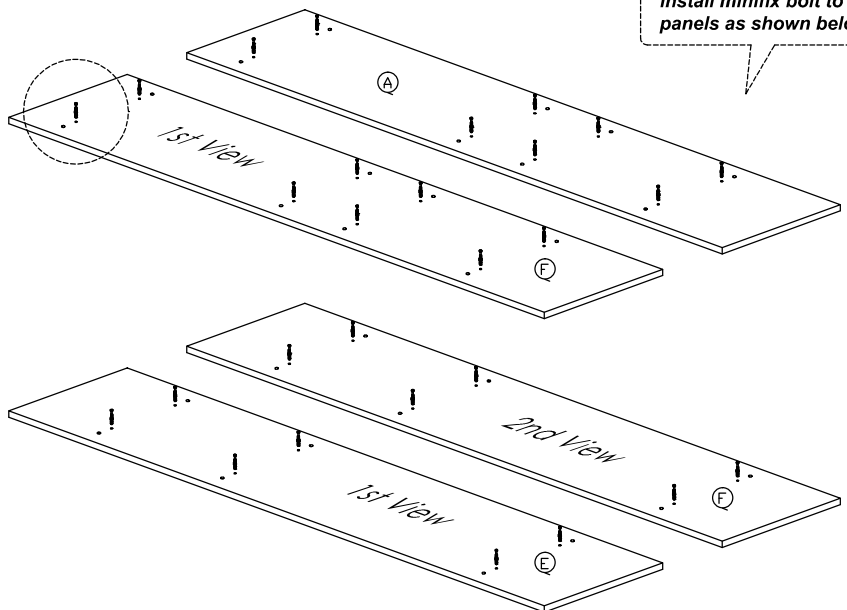
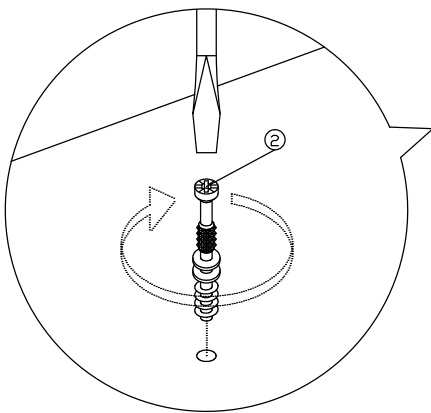
Step 1

*Install Wood Dowel into all panels as shown.



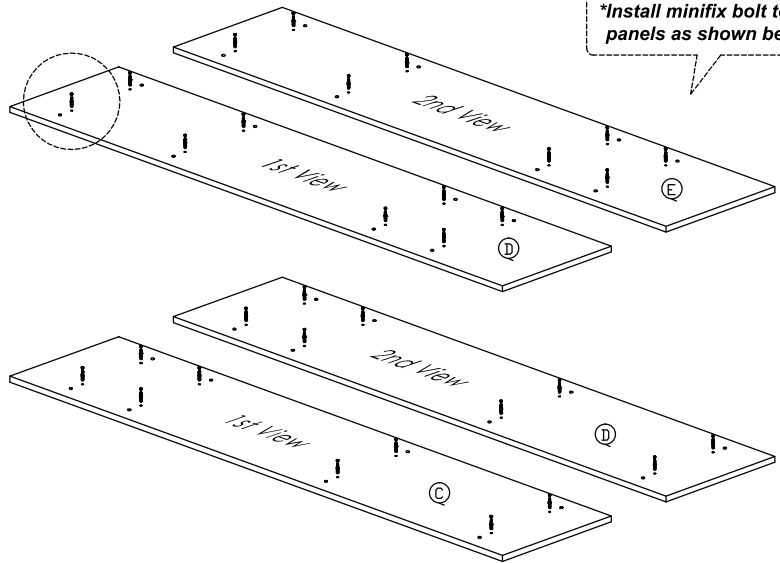
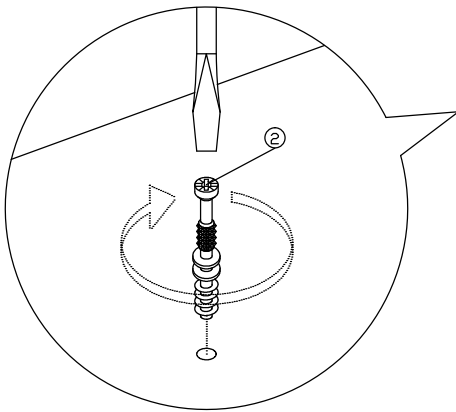
Step 2

*Install minifix bolt to all panels as shown below.

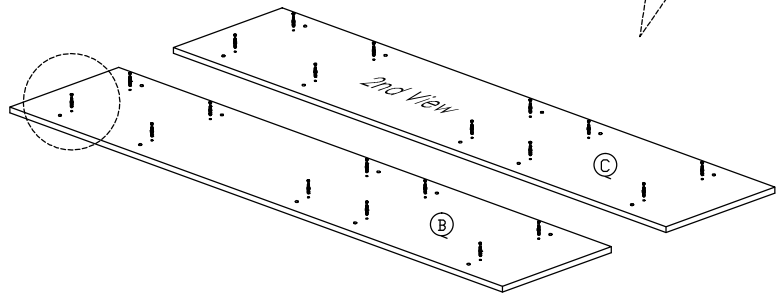
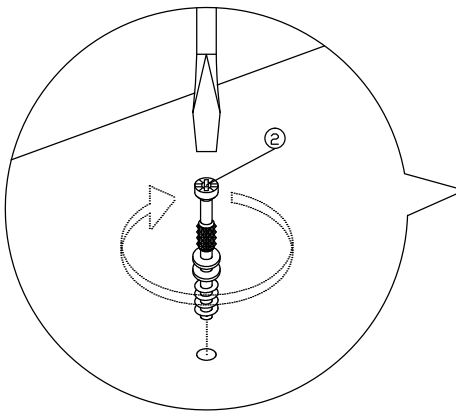


Assembly Instruction

Step 3

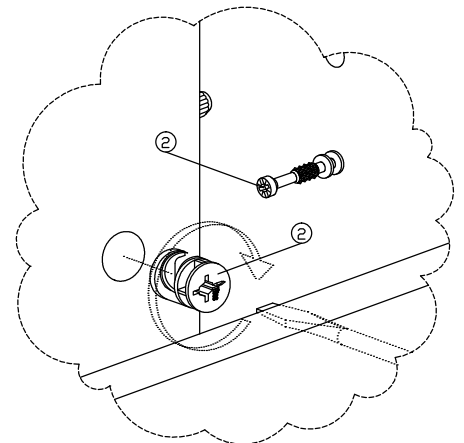
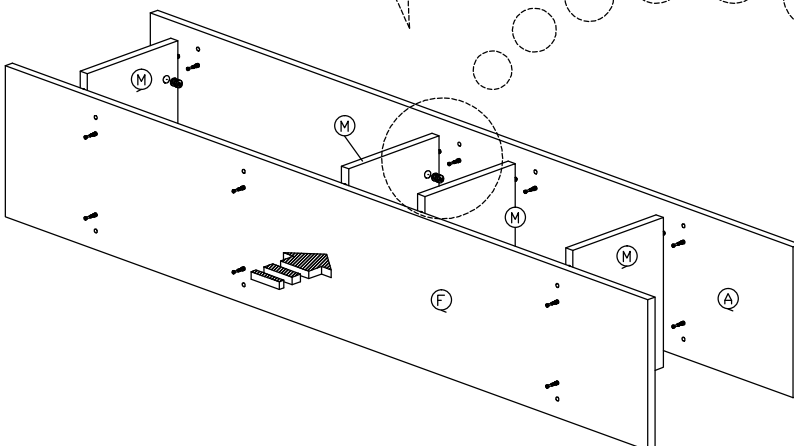


Step 4



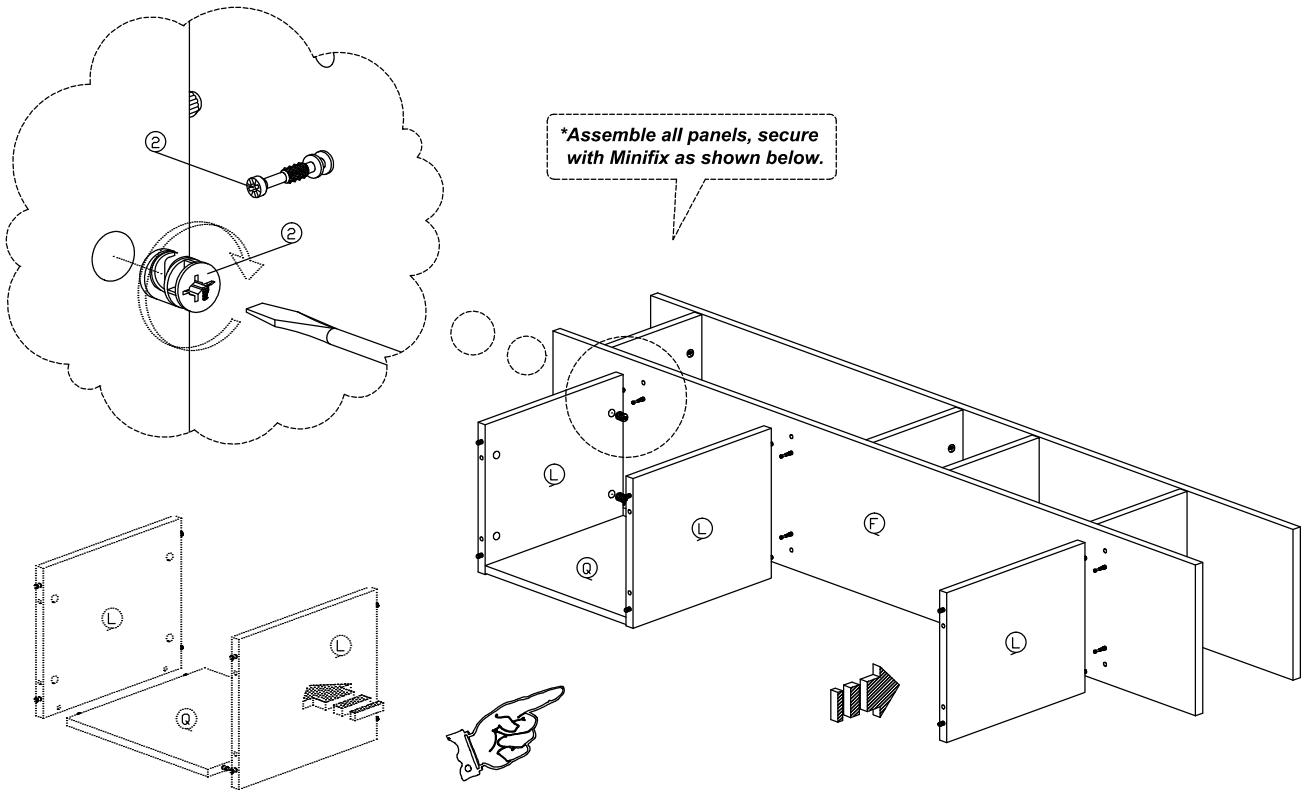
Step 5

*Assemble all panels, secure with Minifix as shown below.

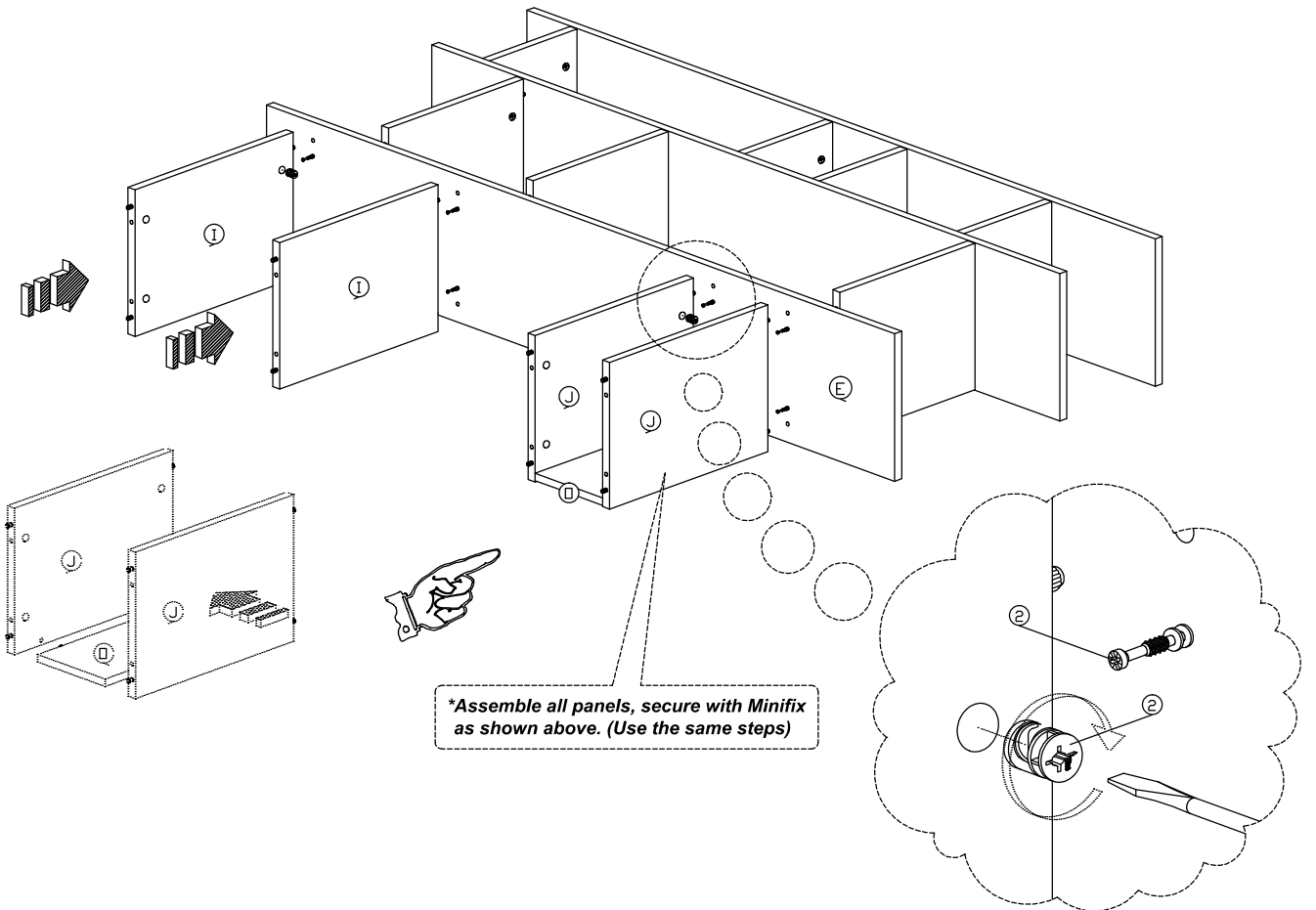


Assembly Instruction

Step 6

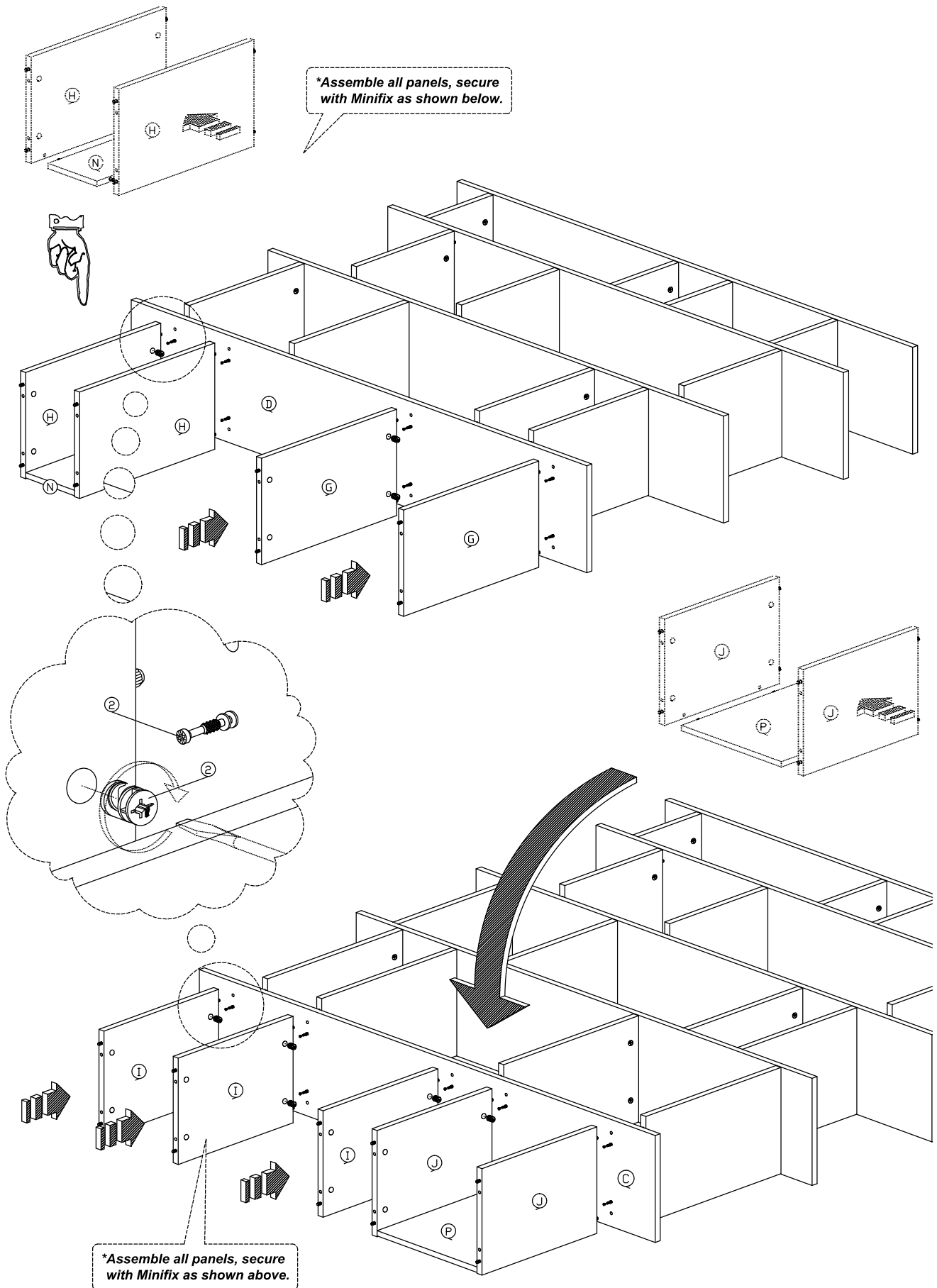


Step 7



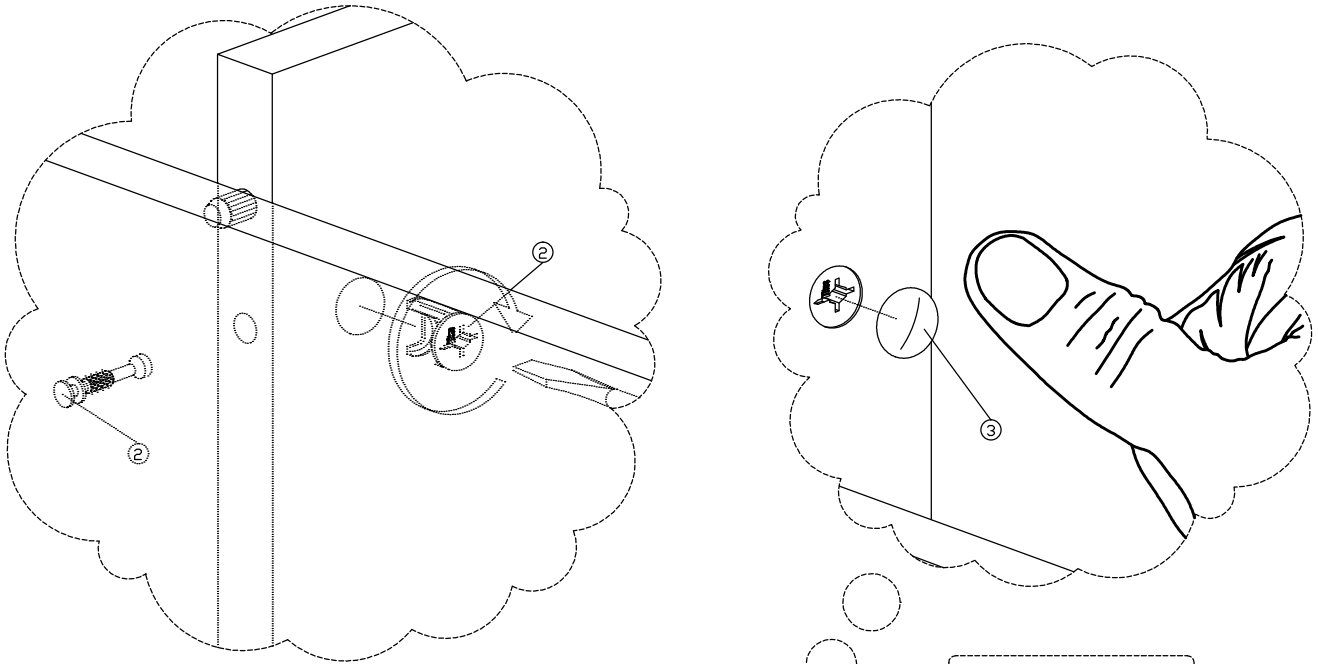
Assembly Instruction

Step 8

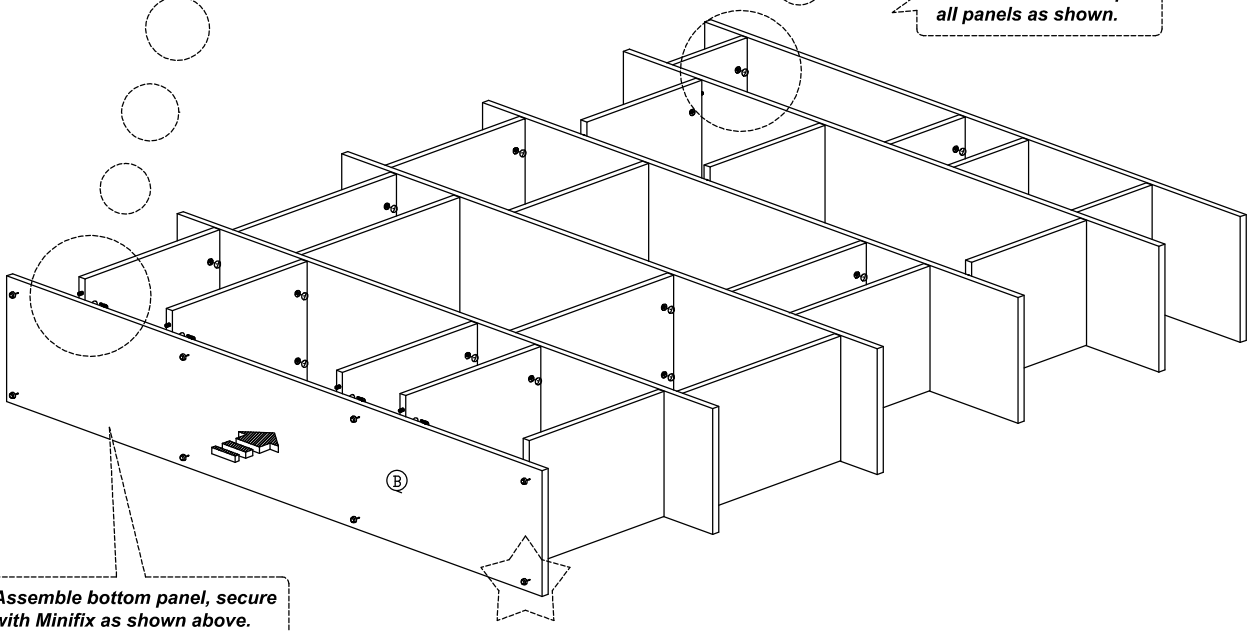


Assembly Instruction

Step 9



**Attach all Minifix Cap to all panels as shown.*



**Assemble bottom panel, secure with Minifix as shown above.*

**Attach 8pcs Nail Leg as shown (star bubble).*

