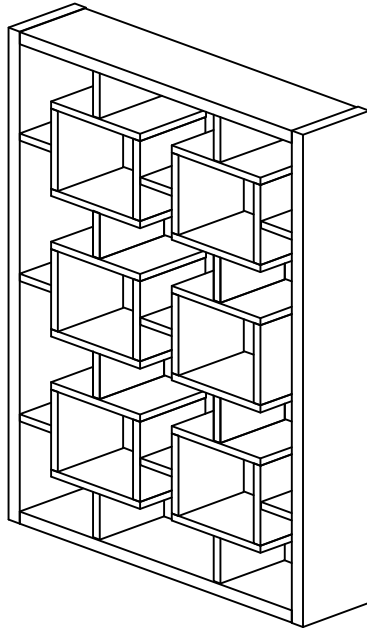


# Assembly Instruction

Model : WI5053

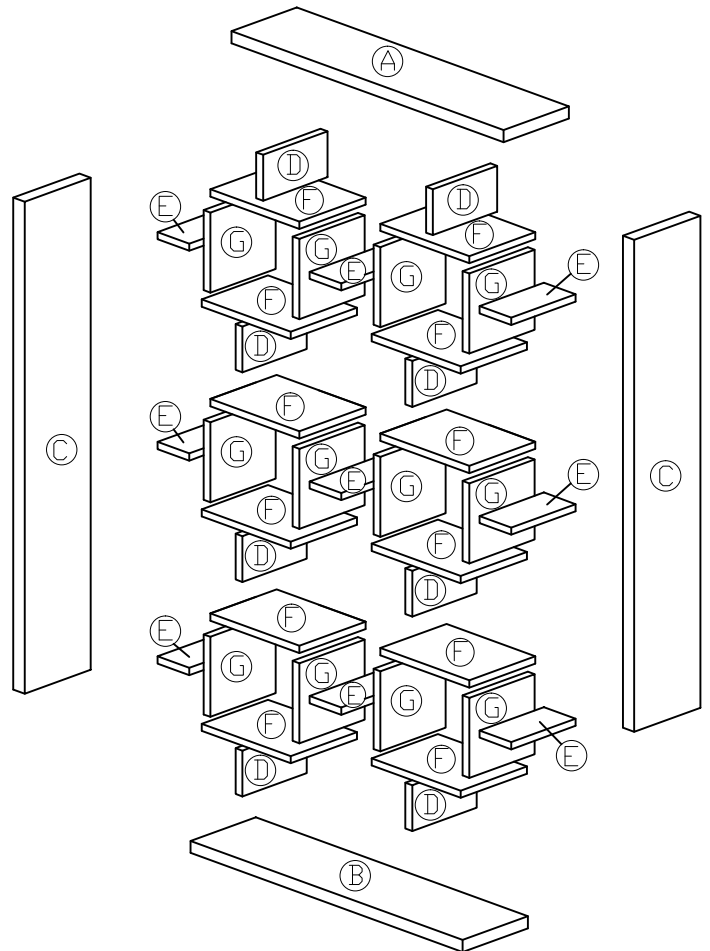
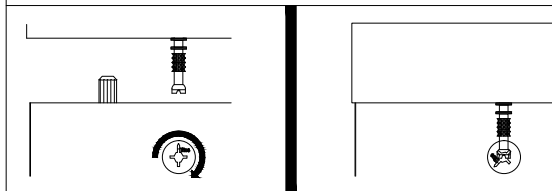


## Part List

### Hardware List

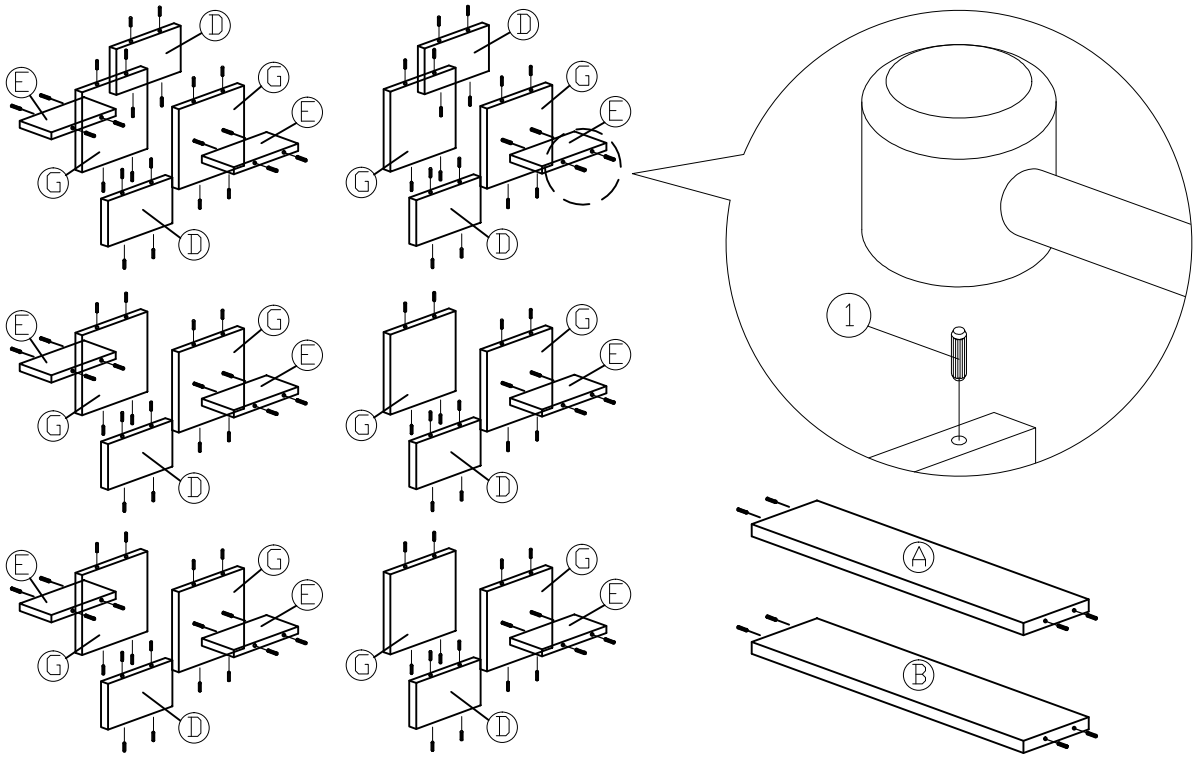
No.	SHAPE	DESCRIPTION	Qty.
1		<b>6x25mm Wood Dowel</b>	124Pcs
2		<b>15MM Titus Minifix</b>	28Sets
3		<b>15mm Minifix Cap</b>	24Pcs
4		<b>15mm Minifix Cap(Hole)</b>	2Pcs

### Dowel / Cam - Lock Installation

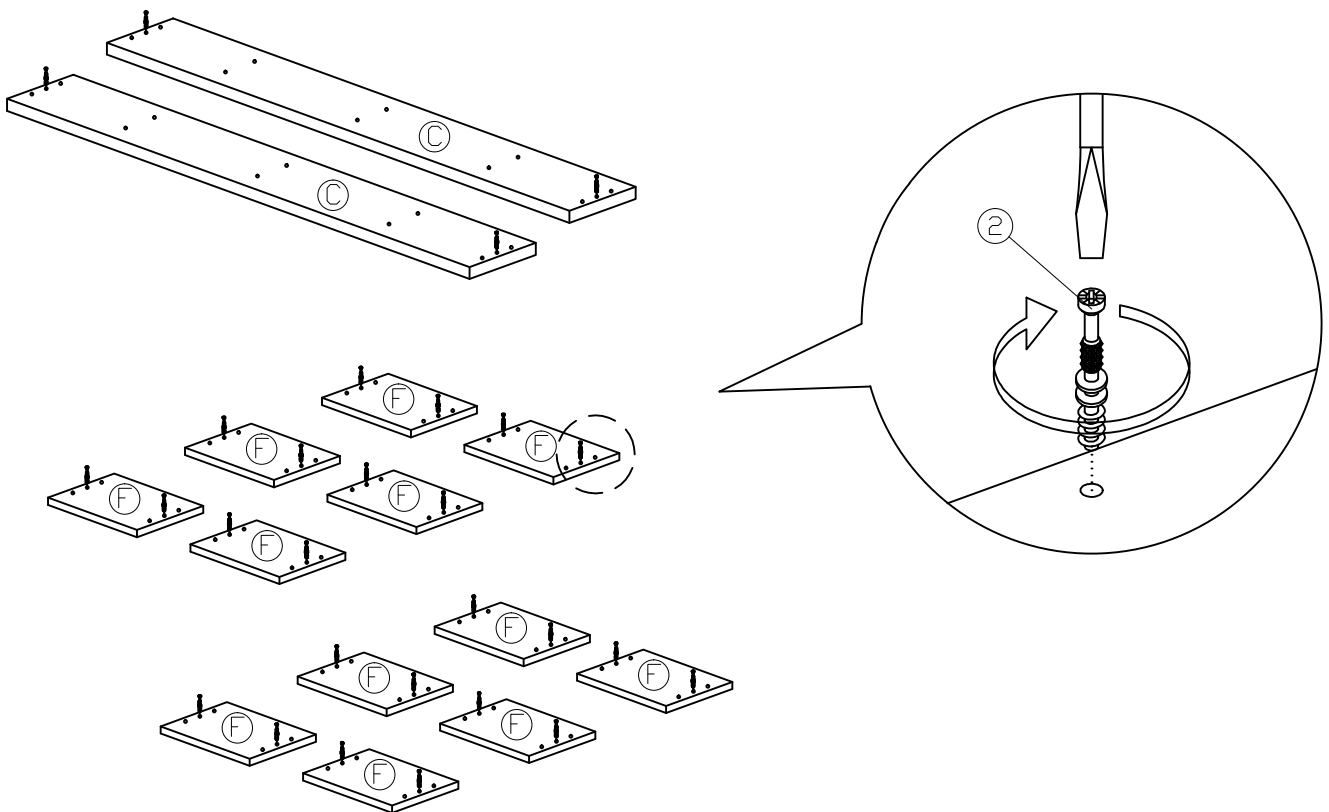


# Assembly Instruction

## Step 1



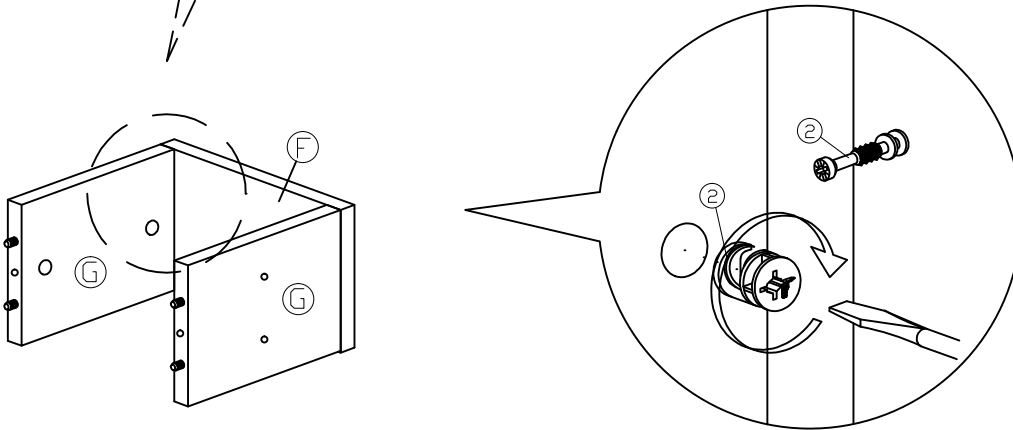
## Step 2



# Assembly Instruction

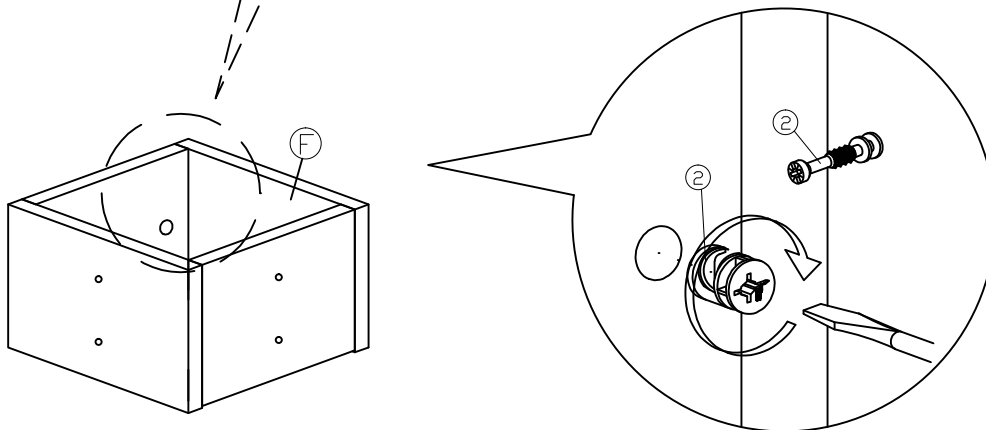
## Step 3

*\*Assemble 6 pcs (F) & all 12 pcs (G) panels, secure with Minifix as shown below. (use the same step)*



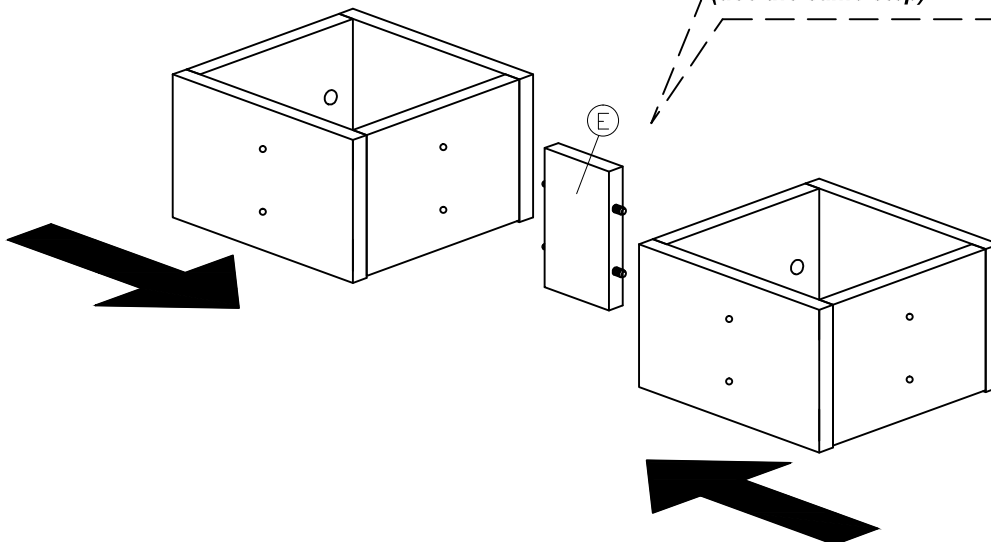
## Step 4

*\*Assemble 6 pcs (F) panels, secure with Minifix as shown below. (use the same step)*



## Step 5

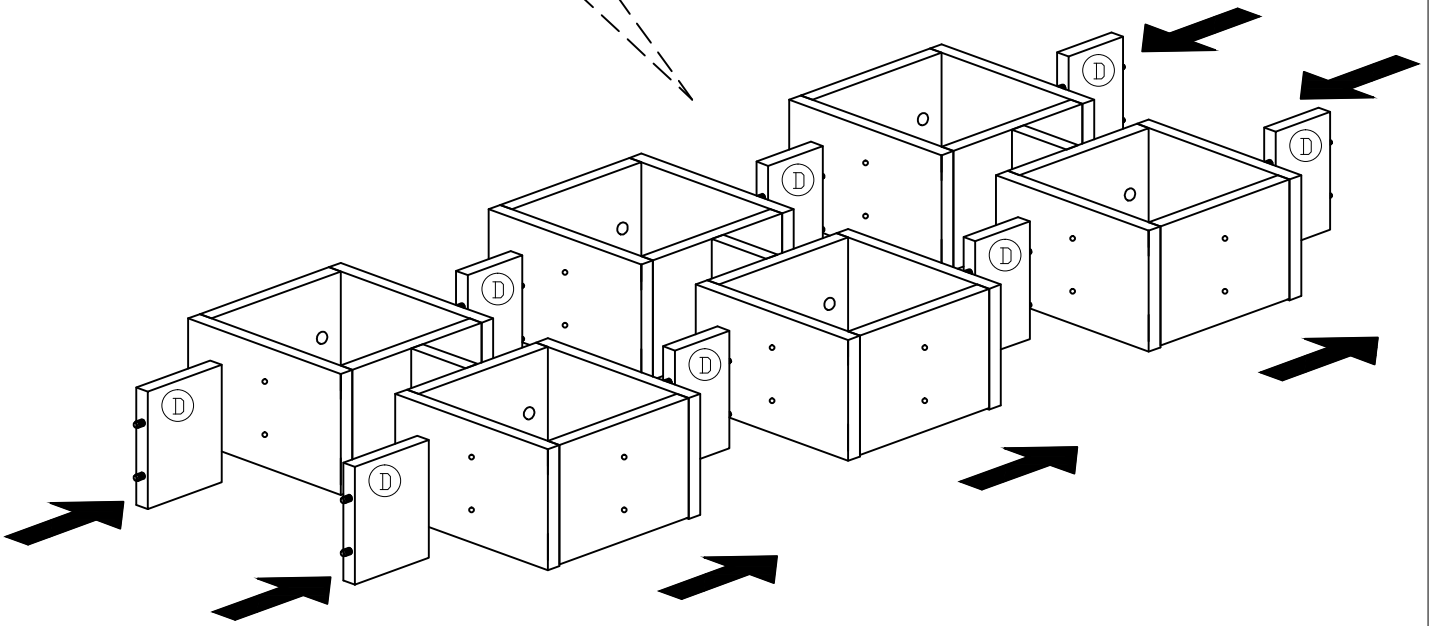
*\*Assemble 3 pcs (E) panels, as shown below. (use the same step)*



# Assembly Instruction

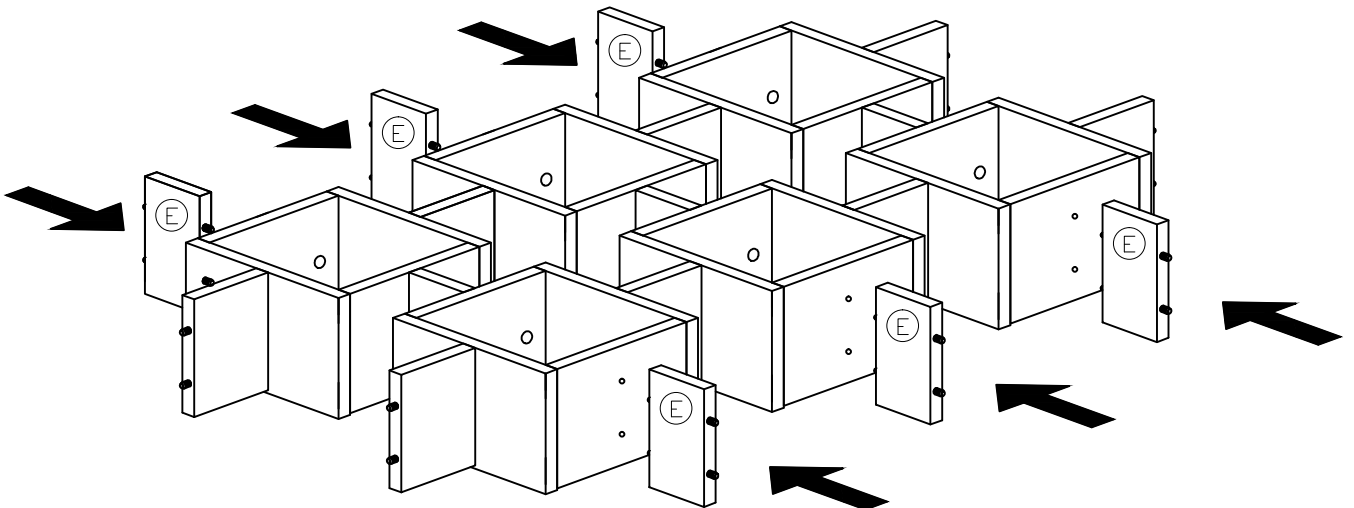
## Step 6

*\*Assemble 8 pcs (D) panels, as shown below.  
(use the same step)*



## Step 7

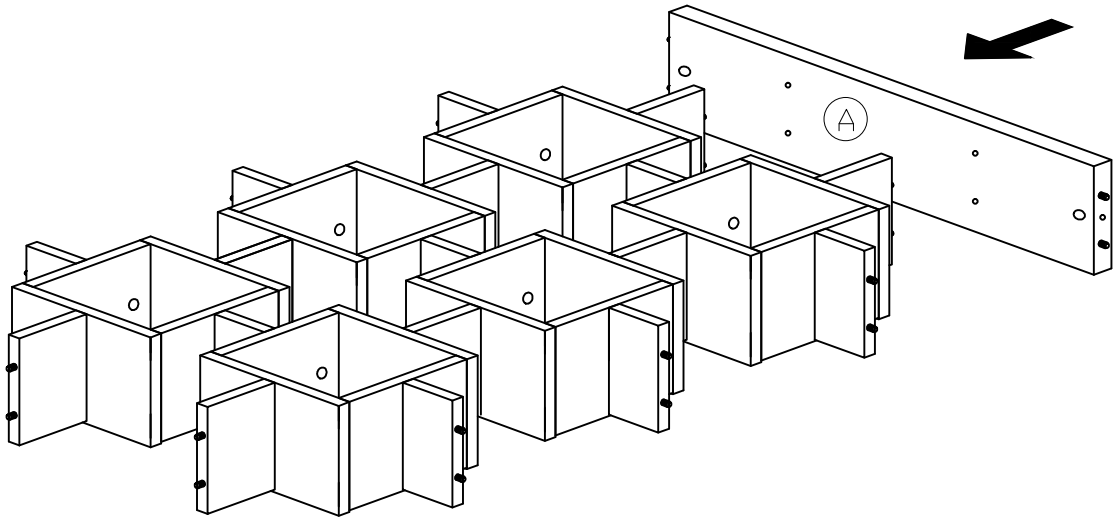
*\*Assemble 6 pcs (E) panels, as shown below.  
(use the same step)*



# Assembly Instruction

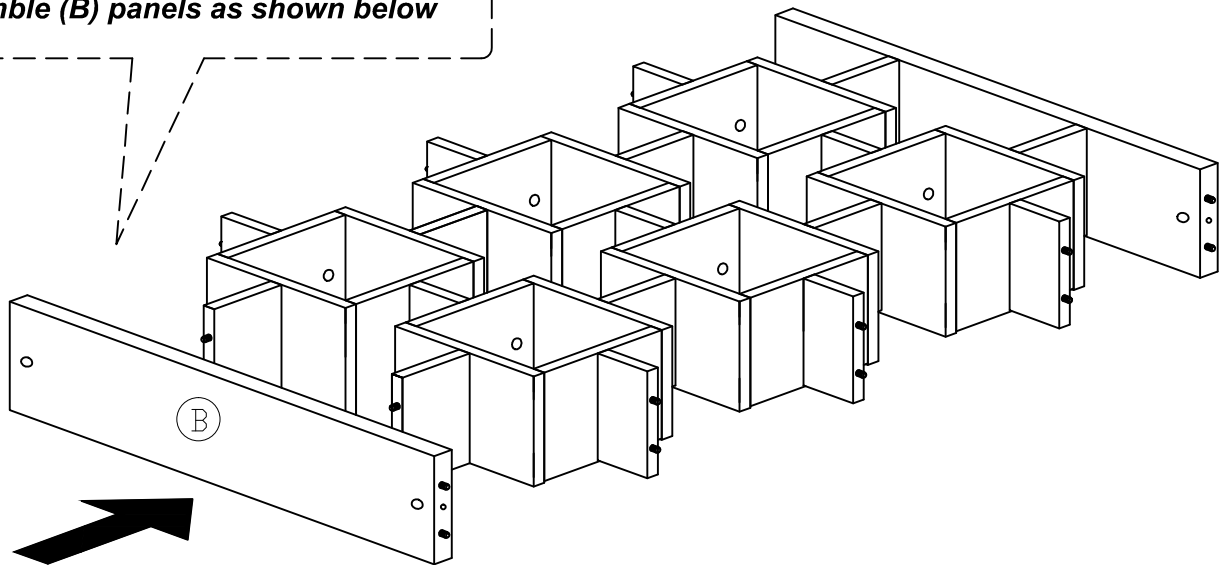
## Step 8

*\*Assemble (A) panels, as shown below.*



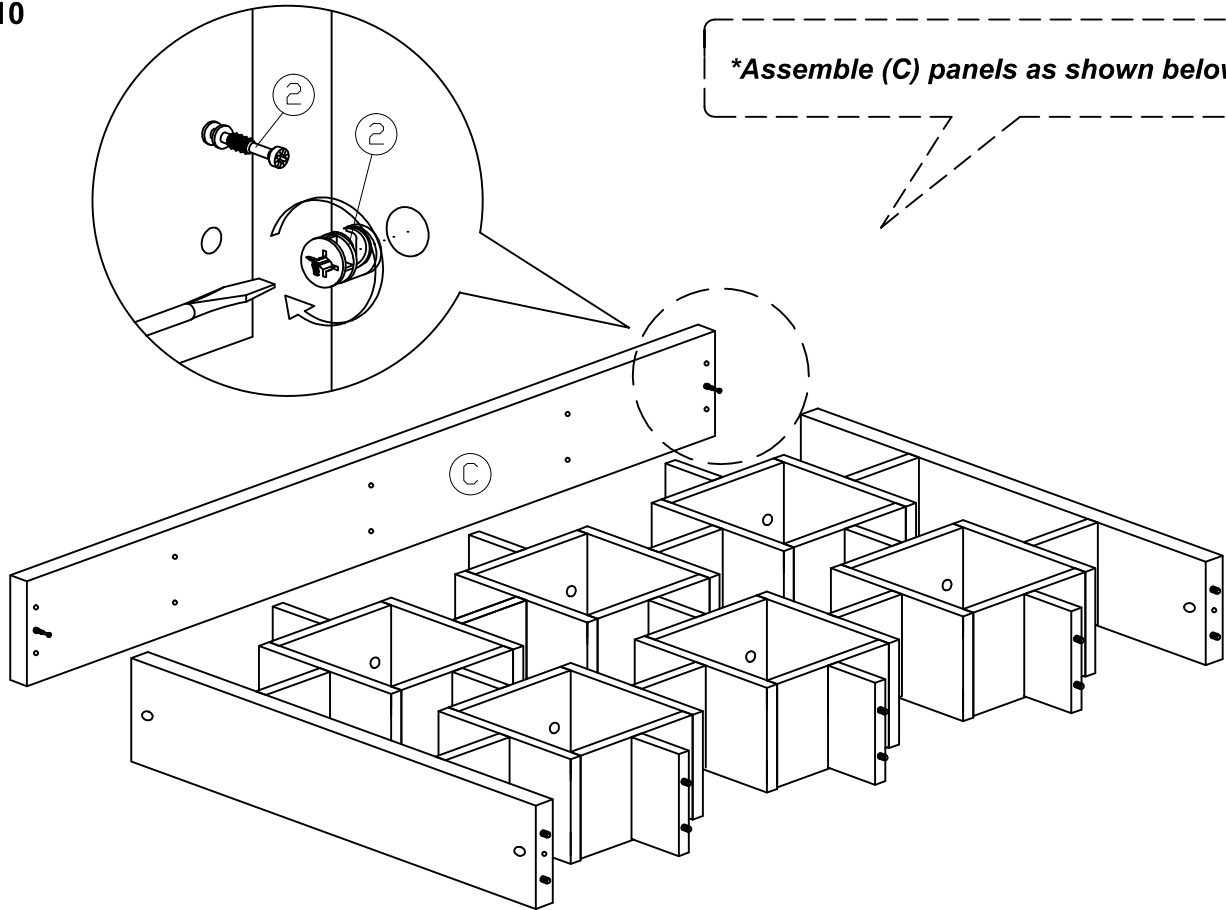
## Step 9

*\*Assemble (B) panels as shown below*

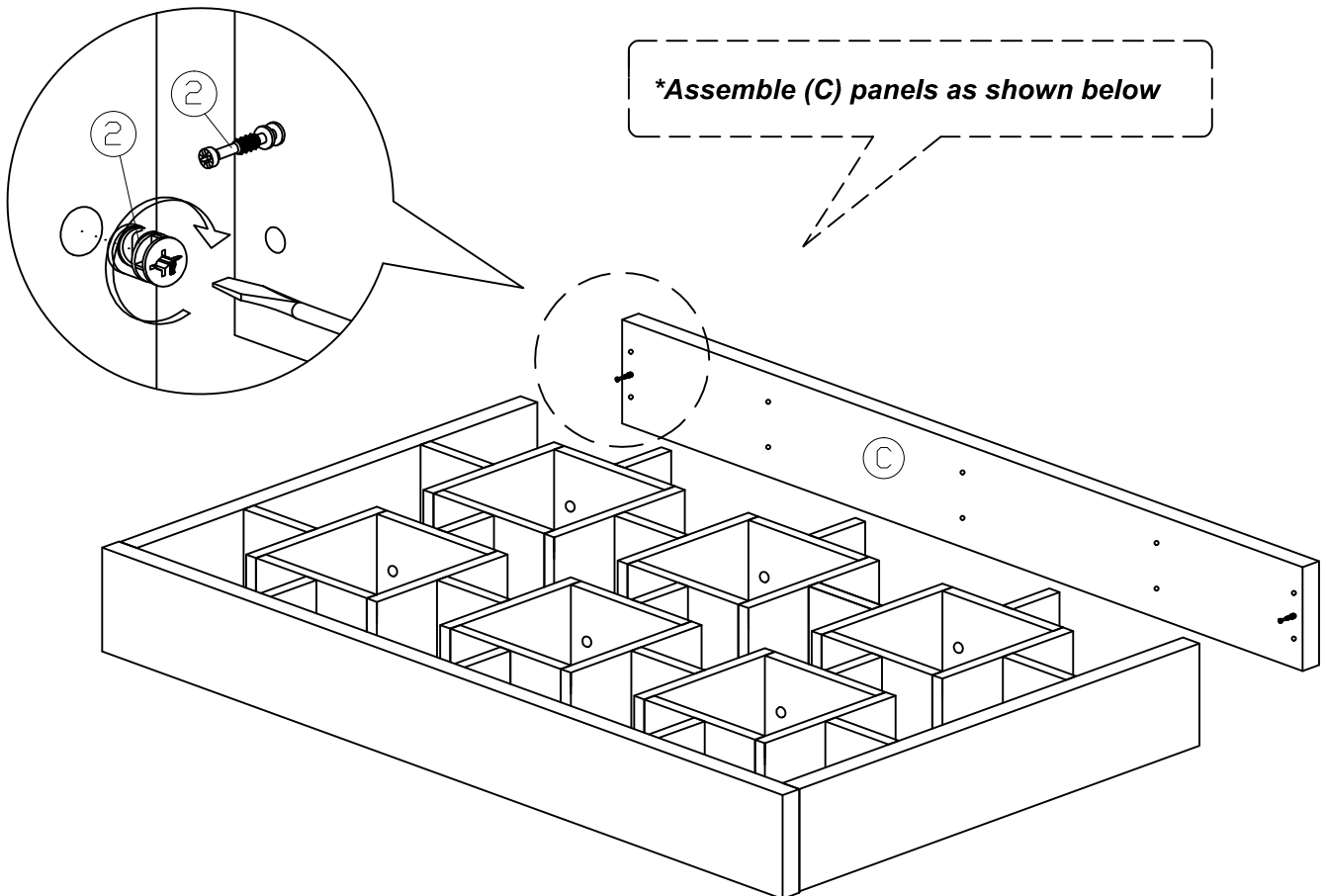


# Assembly Instruction

## Step 10



## Step 11

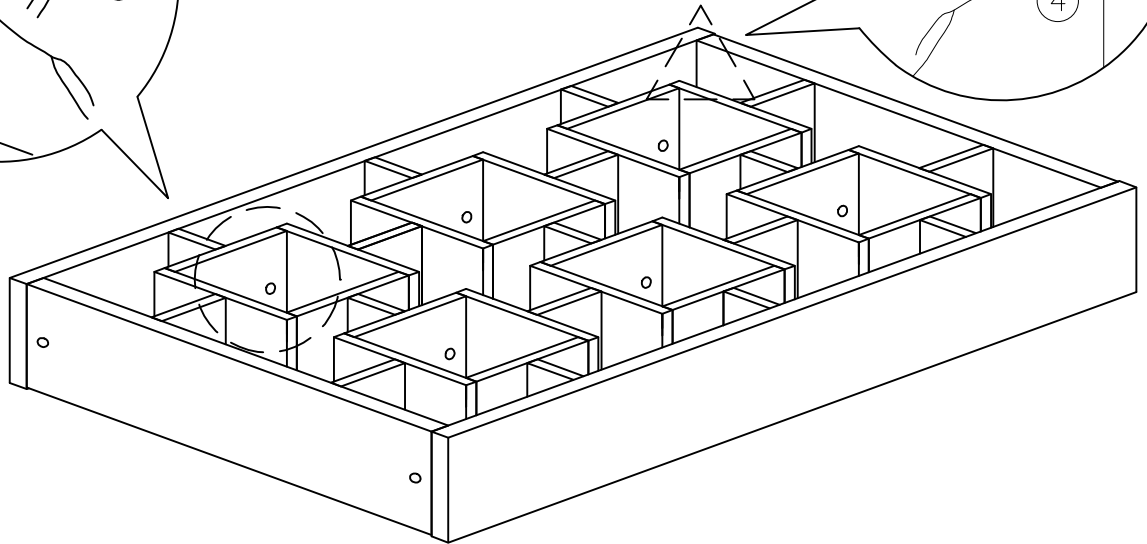
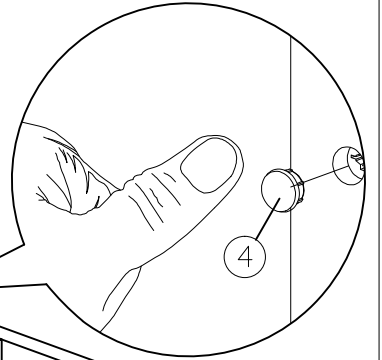
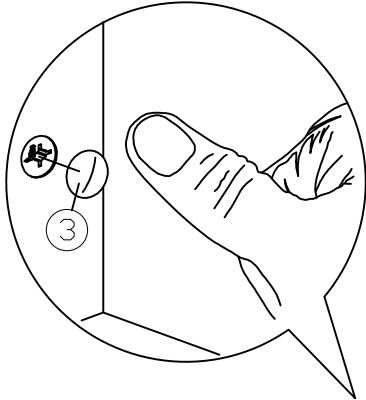


# Assembly Instruction

## Step 12

*\*Ensure to fix all 24pcs minifix cap on panel (G)*

*\*Ensure to fix 2pcs minifix cap (hole) on panel (A)*



## Completed

