



ASSEMBLY INSTRUCTIONS

MODEL : CODY DINING CHAIR

- IMPORTANT NOTE :**
- * PLACE ALL WOODEN PARTS ON A CLEAN AND SMOOTH SURFACE SUCH AS A RUG OR CARPET TO AVOID THE PARTS FROM BEING SCRATCHED.
 - * PLEASE FOLLOW ASSEMBLY INSTRUCTIONS STEP BY STEP.
 - * DO NOT FULLY TIGHTEN ALL SCREWS UNTIL THE CHAIR PARTS HAVE BEEN ASSEMBLED.

HARDWARE LIST		PART LIST			
A	JCBC M6 x 70mm + S/W M6 + F/W M6 x 13mm	1	BACK LEG	2PCS	
		4PCS	2	FRONT LEG	2PCS
	JCBC M6 x 35mm + S/W M6 + F/W M6 x 19mm	4PCS	3	CUSHION SEAT	1PC
C	ALLEN KEY M4 	1PC			

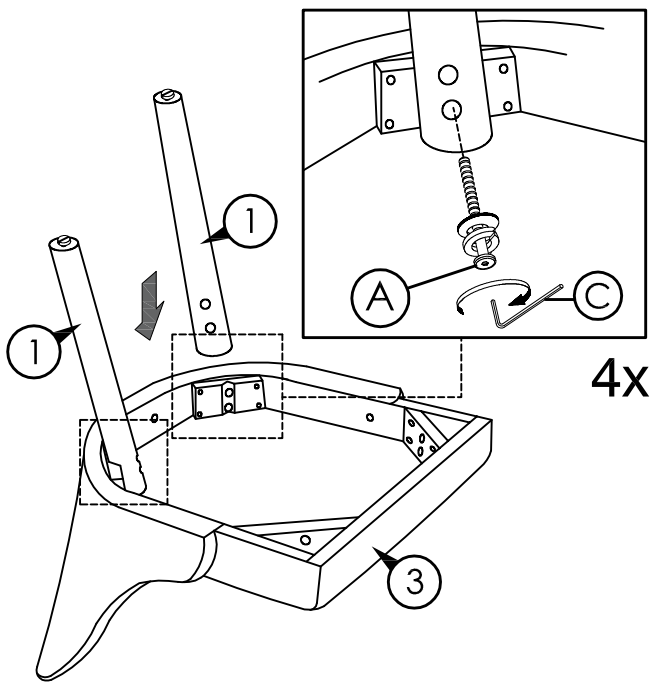
PLEASE NOTE :

(1) DO NOT FULLY-TIGHTEN THE NUTS AND BOLTS UNTIL ALL PARTS HAVE BEEN ASSEMBLED.

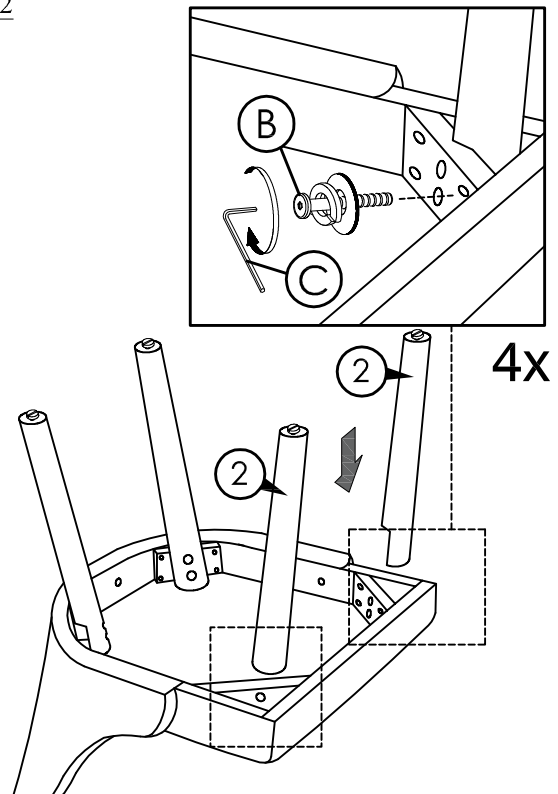
(TO AVOID CAUSING DAMAGE TO THE THREADS, DO NOT OVER-TIGHTEN THE NUTS AND BOLTS.)

(2) KEEP ALL PARTS OUT OF THE REACH OF CHILDREN.

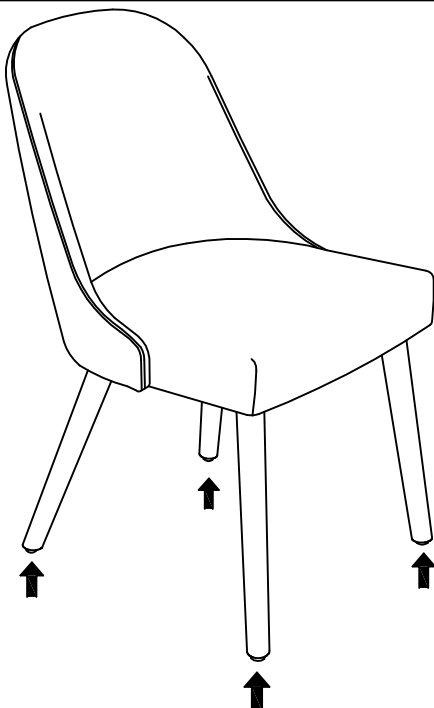
STEP 1



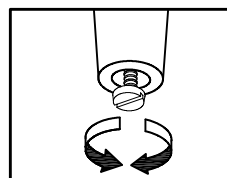
STEP 2



STEP 3



Turn clockwise or anti-clockwise to adjust leg leveller.



COMPLETED CHAIR ASSEMBLY.