

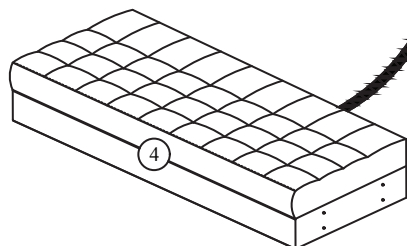
ASSEMBLY INSTRUCTION

ITEM : CLARA- SOFA

NO	PART LIST	QTY
1	BACK REST	1PC
2	SIDE PANEL (L)	1PC
3	SIDE PANEL (R)	1PC
4	SEAT	1PC
5	METAL LEGS	4PCS
6	BACK CUSHION	2PCS
7	BACK CUSHION COVER	2PCS
8	SUPPORT LEGS WITH ADJUSTABLE FEET	2PCS
ITEM	HARDWARE	QTY
A	JCBB SCREW M8 x 50MM	14PCS
B	JCBCREW M6 x 35MM	12PCS
C	SPRING WASHER	14PCS
D	FLAT WASHER	14PCS
E	L - KEY M5 x 65MM	1PC
F	L - KEY M4 x 65MM	1PC

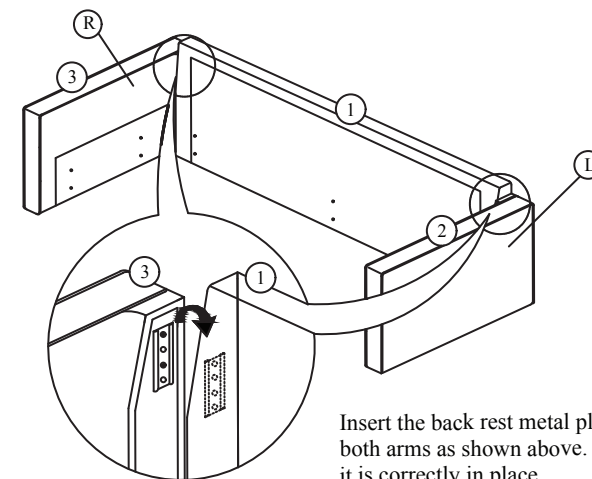
STEP 1

Parts are keep in the compartments under the seat (4) as shown. Carefully unpack all of the parts & hardware to identify them and ensure to have all the parts needed for the assembly.



- Parts :
- 1 . Back Rest x1
 - 2 . Side Panel (L) x1
 - 3 . Side Panel (R) x1
 - 4 . Seat x1
 - 5 . Metal Legs x4
 - 6 . Back Cushion x2
 - 7 . Back Cushion Cover x2
 - 8 . Hardware Bag

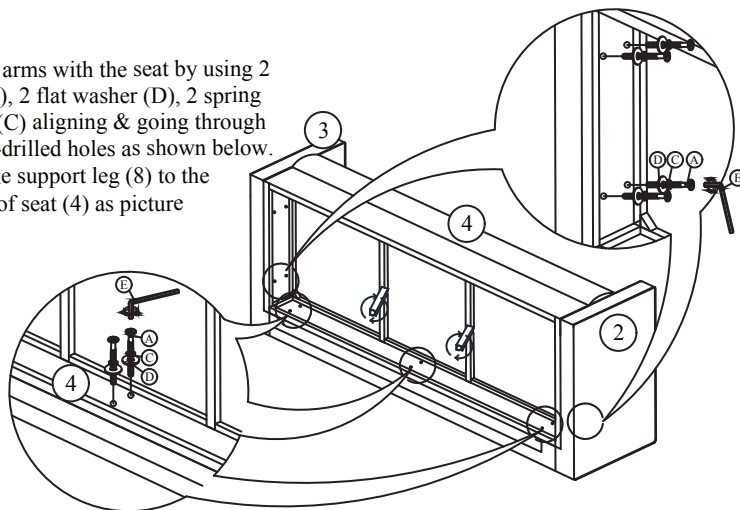
STEP 2



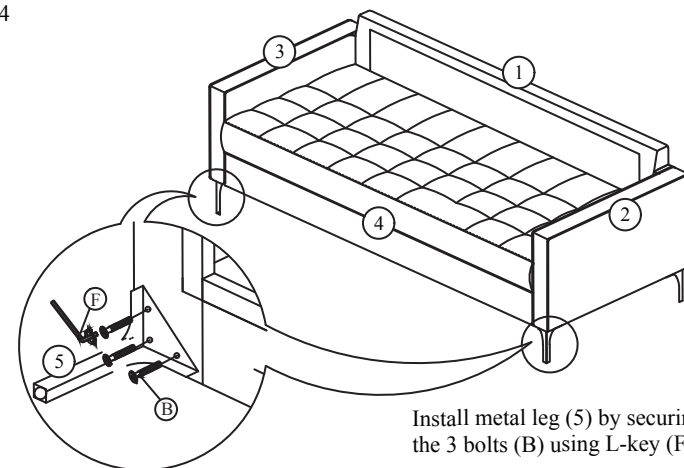
Insert the back rest metal plates to both arms as shown above. Ensuring it is correctly in place

STEP 3

Join the arms with the seat by using 2 bolts (A), 2 flat washer (D), 2 spring washer (C) aligning & going through the pre-drilled holes as shown below. Insert the support leg (8) to the bottom of seat (4) as picture shown

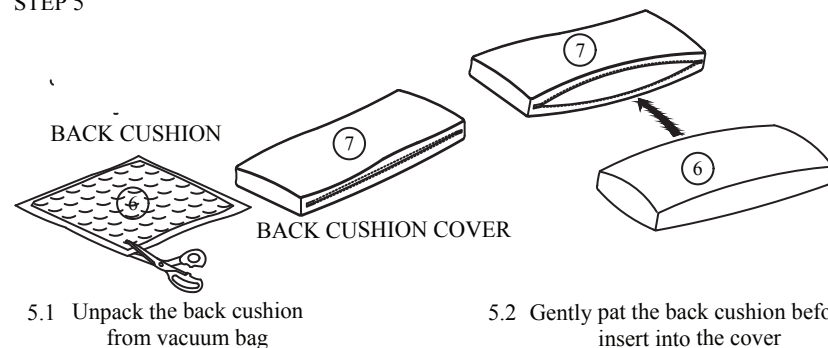


STEP 4



Install metal leg (5) by securing with the 3 bolts (B) using L-key (F).

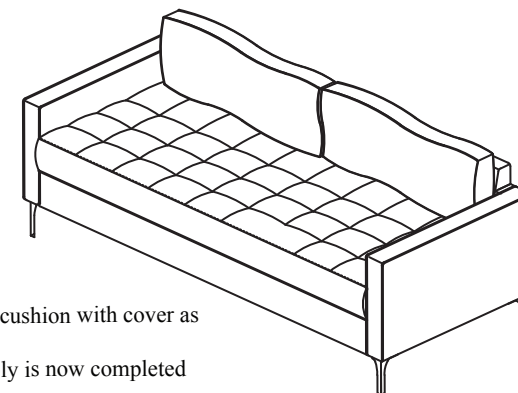
STEP 5



5.1 Unpack the back cushion from vacuum bag

5.2 Gently pat the back cushion before insert into the cover

STEP 6



Put the back cushion with cover as shown.
Your assembly is now completed

Please do not tighten the hardware until the entire assembly is completed.