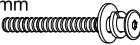





# ASSEMBLY INSTRUCTIONS

## MODEL : CASSIE DINING CHAIR

**IMPORTANT NOTE :**

- \* PLACE ALL WOODEN PARTS ON A CLEAN AND SMOOTH SURFACE SUCH AS A RUG OR CARPET TO AVOID THE PARTS FROM BEING SCRATCHED.
- \* PLEASE FOLLOW ASSEMBLY INSTRUCTIONS STEP BY STEP.
- \* DO NOT FULLY TIGHTEN ALL SCREWS UNTIL THE CHAIR PARTS HAVE BEEN ASSEMBLED.

HARDWARE LIST			PART LIST		
A	JCBC M6 x 80mm + S/W M6 + F/W M6 x 19mm 	4PCS	1	BACK REST	1PC
B	JCBC M6 x 60mm + S/W M6 + F/W M6 x 19mm 	4PCS	2	BOX SEAT	1PC
C	JCBC M6 x 40mm + S/W M6 + F/W M6 x 19mm 	2PCS	3	FRONT LEG	2PCS
D	ALLEN KEY M4 	1PC			

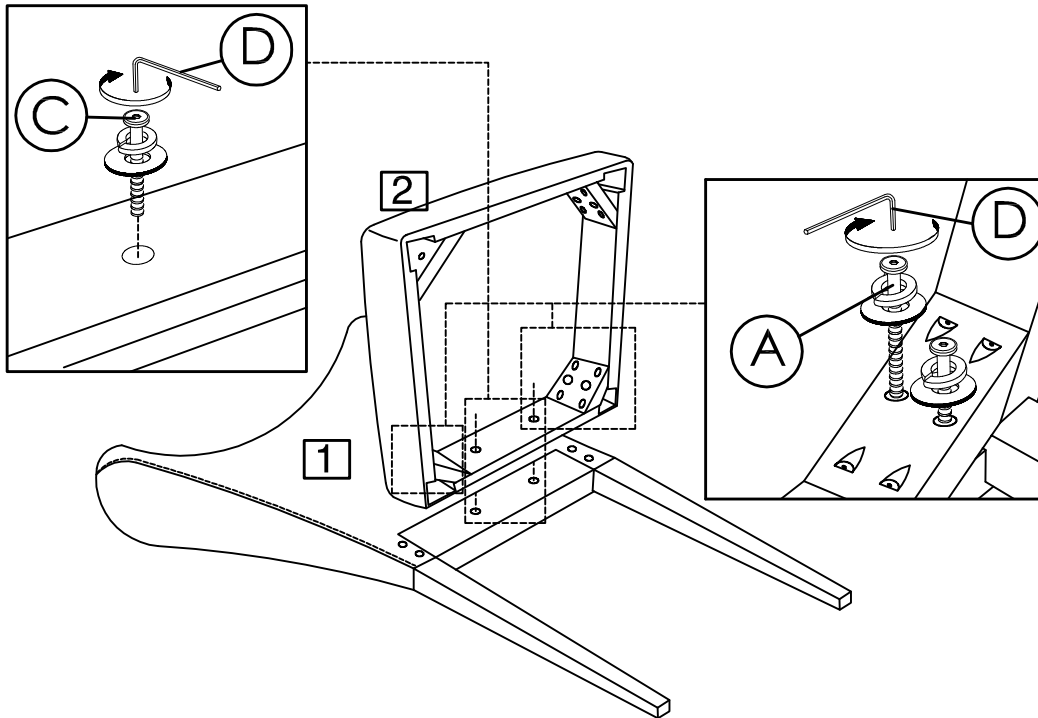
**PLEASE NOTE :**

(1) DO NOT FULLY-TIGHTEN THE NUTS AND BOLTS UNTIL ALL PARTS HAVE BEEN ASSEMBLED.

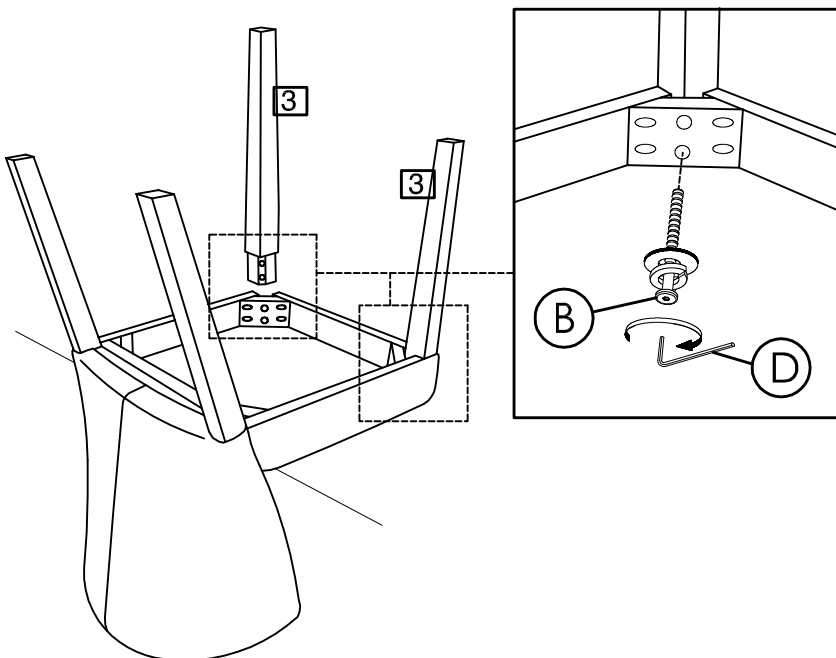
(TO AVOID CAUSING DAMAGE TO THE THREADS, DO NOT OVER-TIGHTEN THE NUTS AND BOLTS.)

(2) KEEP ALL PARTS OUT OF THE REACH OF CHILDREN.

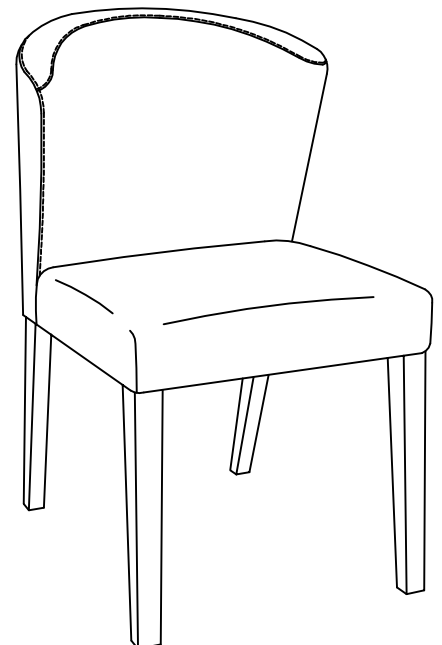
### STEP 1



### STEP 2



### STEP 3



COMPLETED CHAIR.