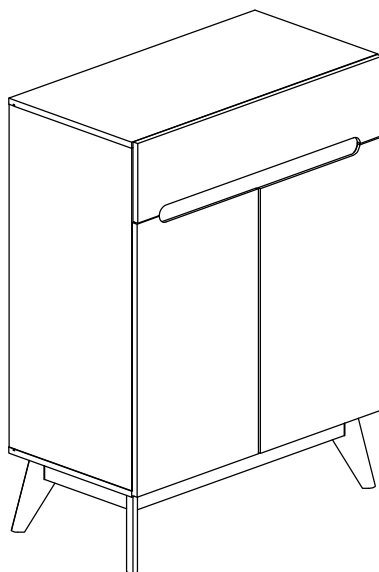
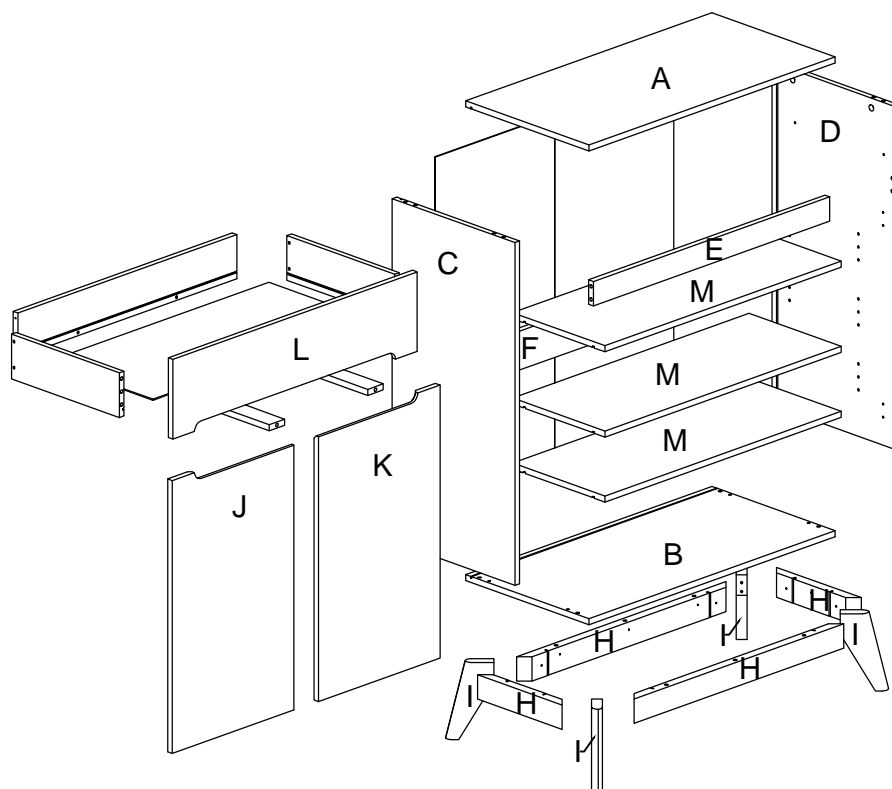


# Assembly Instruction

Model : WI7503





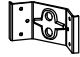




## PART LIST



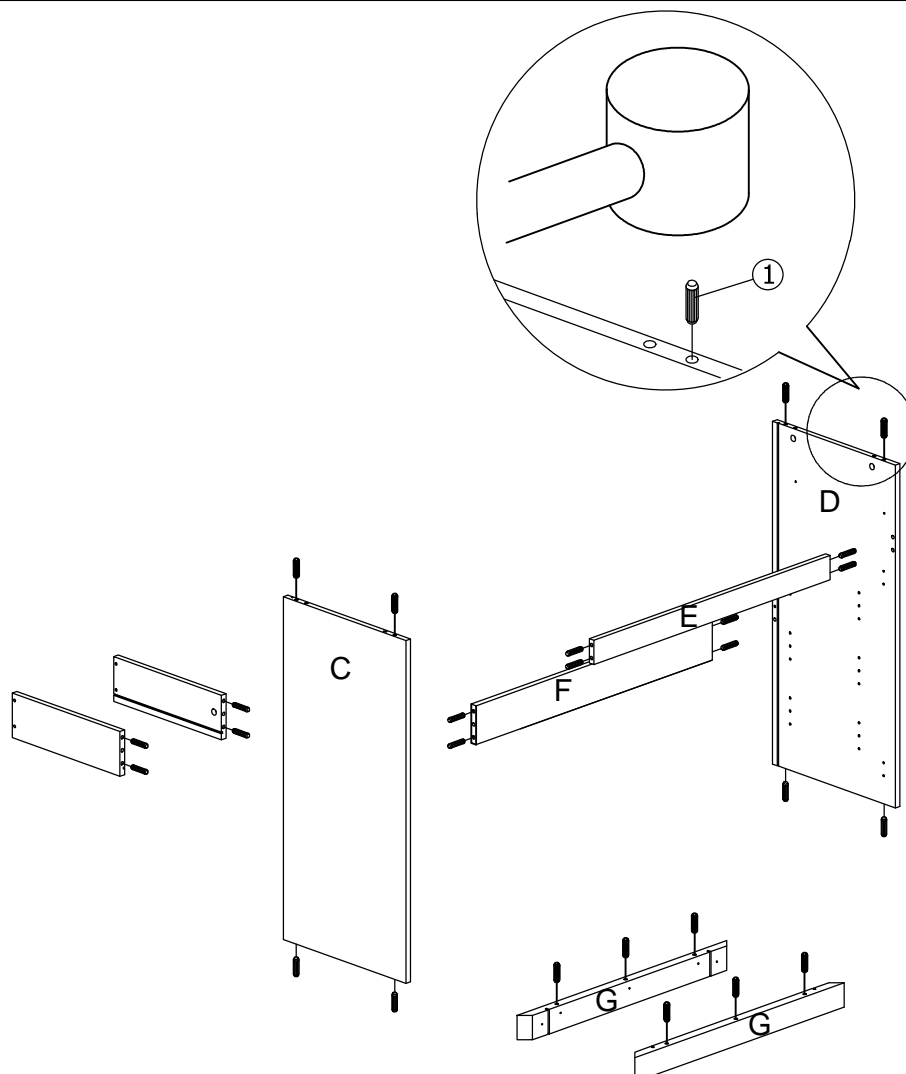
# Assembly Instruction

## Hardware List

No.	SHAPE	DESCRIPTION	Qty.
1		<b>8x25mm Wood Dowel</b>	26Pcs
2		<b>15MM Myfix Minifix</b>	10Sets
3		<b>M5x8mm Screw (Euro Screw)</b>	4Pcs
4		<b>M3x16mm Screw</b>	8Pcs
5		<b>M3.5x15mm Screw</b>	48Pcs
6		<b>M4x38mm Screw</b>	10Pcs
7		<b>Jcbc 'W' M6 x 40mm</b>	8Pcs
8		<b>L Bracket</b>	10Pcs
9		<b>Nail Leg</b>	4Pcs
10		<b>Z Bracket (Big)</b>	4Pcs

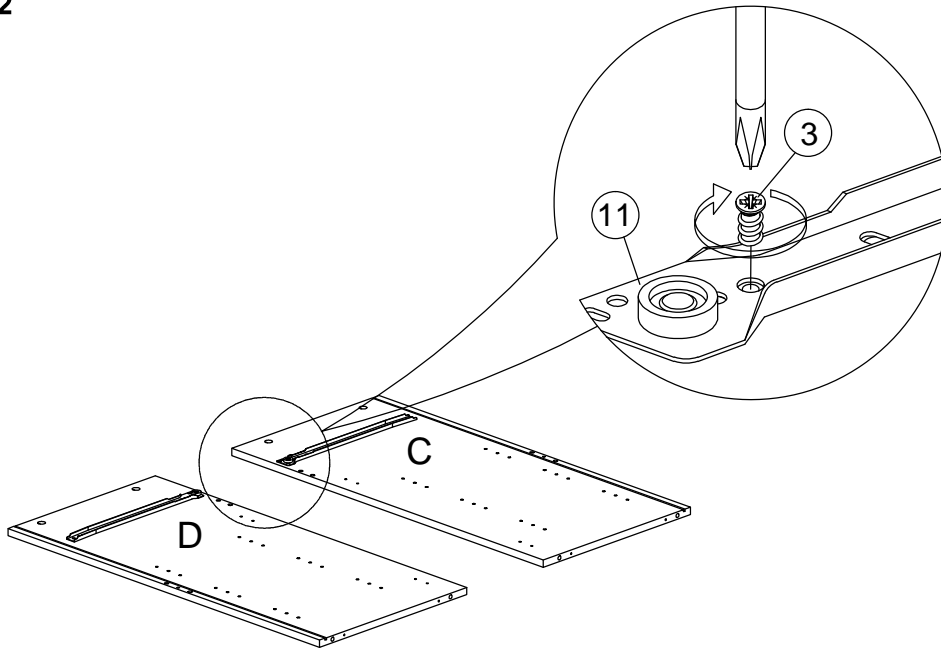
11		<b>Metal Drawer Slide 14" (350mm)</b>	1Set
12		<b>Minifix Cap</b>	2Pcs
13		<b>Metal Corner Bracket</b>	4Pcs
14		<b>L Key</b>	1Pc
15		<b>TP10#x1/2" Screw</b>	16Pcs
16		<b>Hinger (F011)</b>	4Pcs
17		<b>Shelf Support</b>	12Pcs

## STEP 1

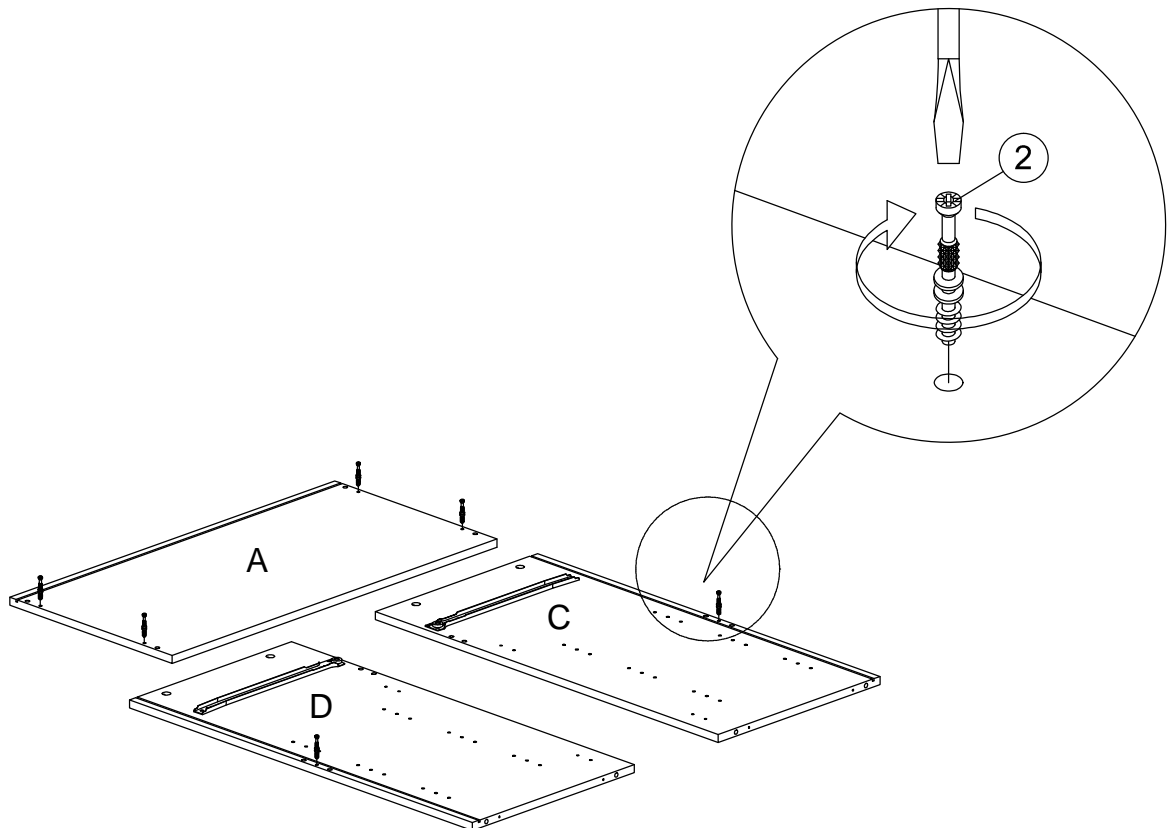


# Assembly Instruction

## STEP 2

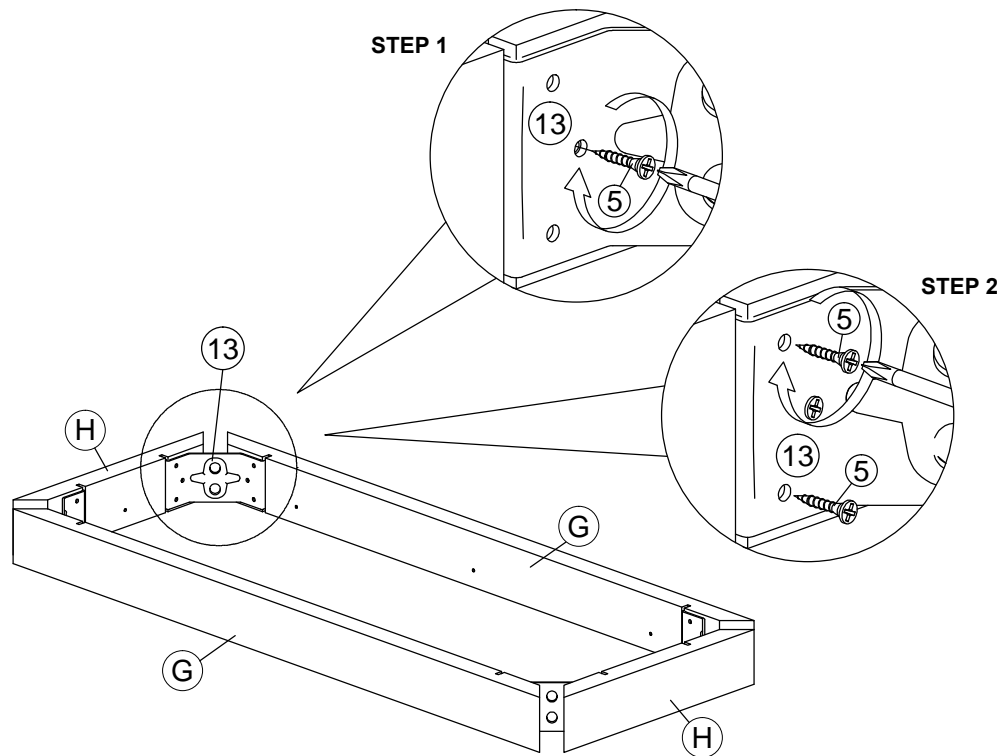


## STEP 3

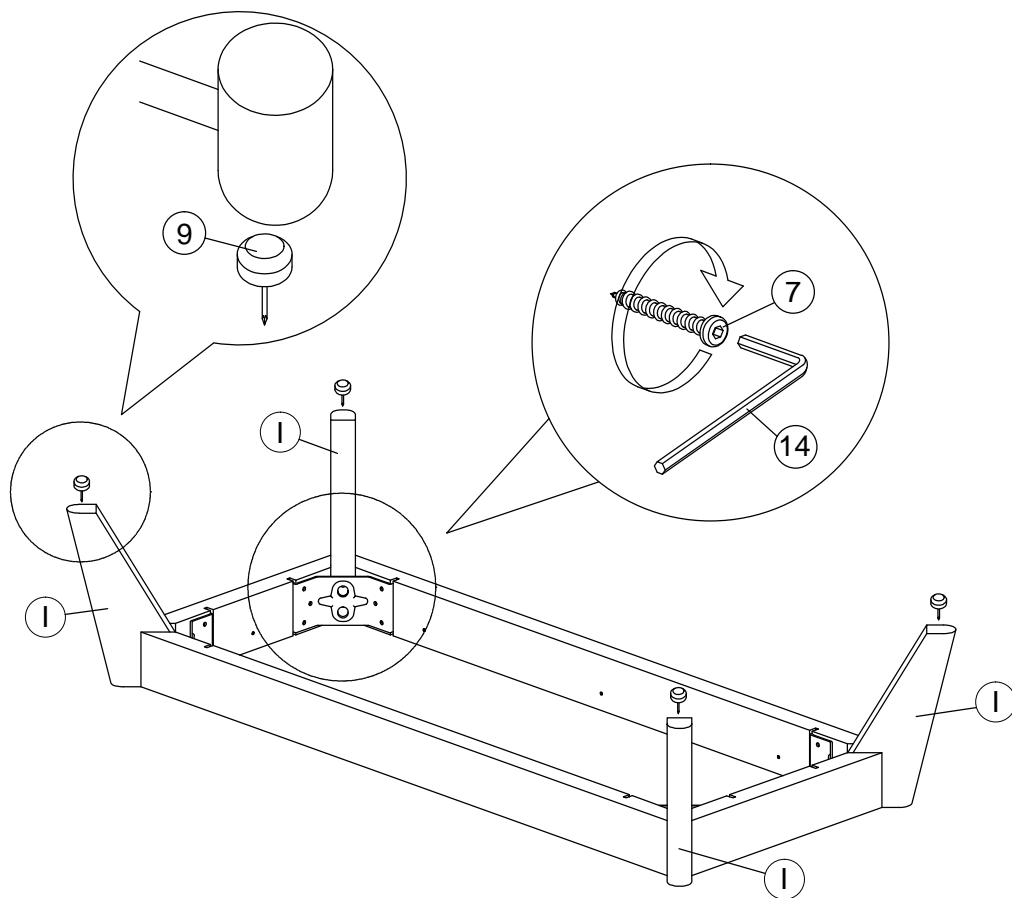


# Assembly Instruction

## STEP 4

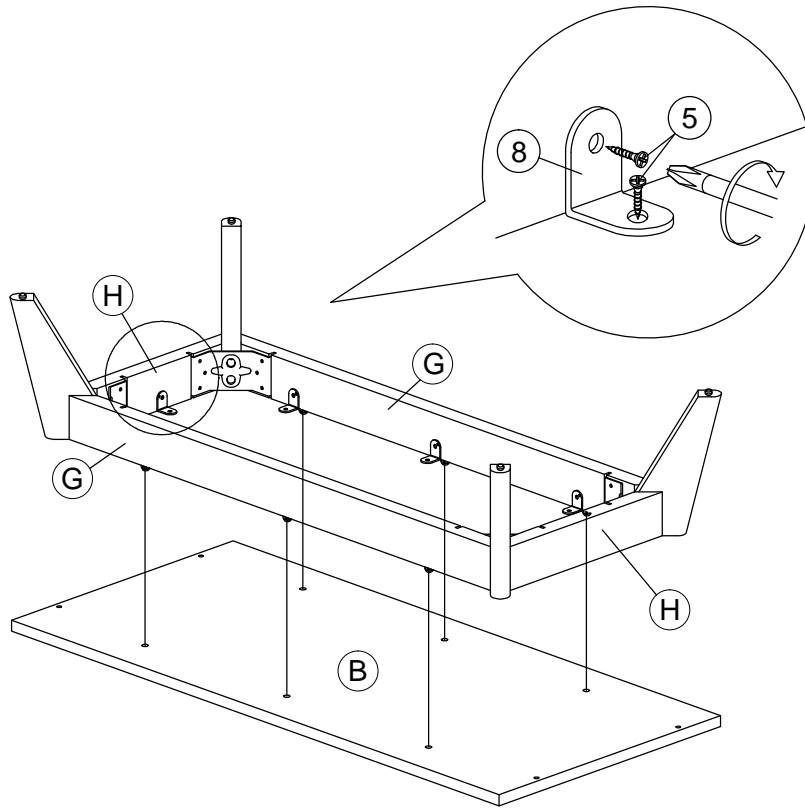


## STEP 5

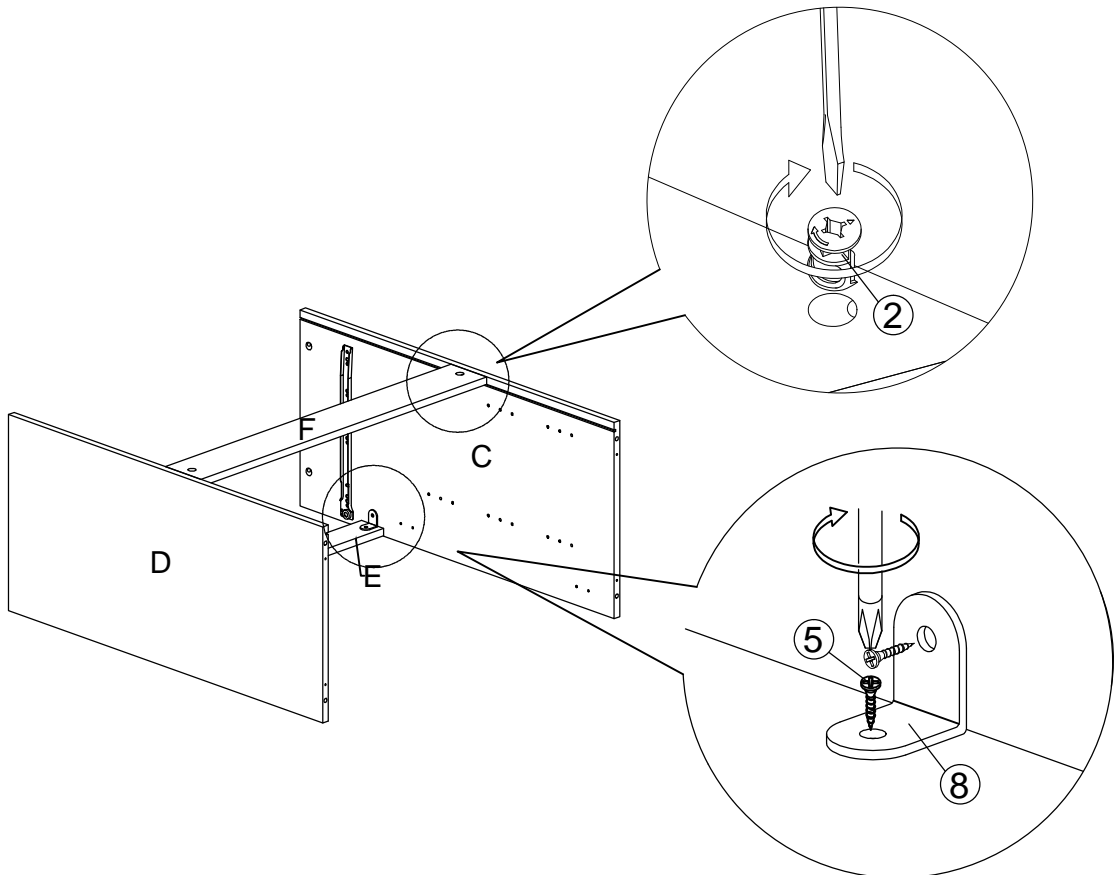


# Assembly Instruction

## STEP 6

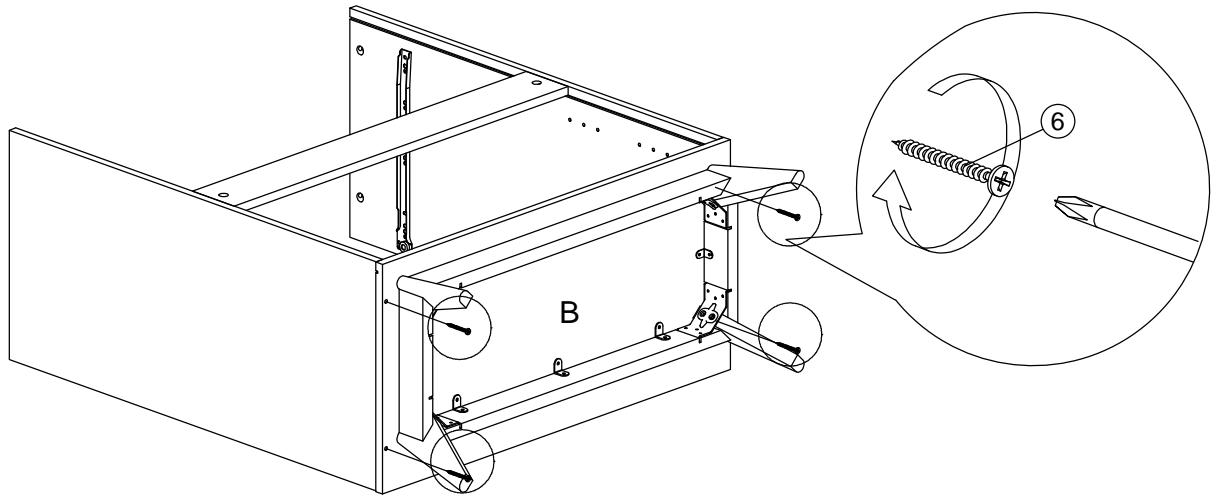


## STEP 7

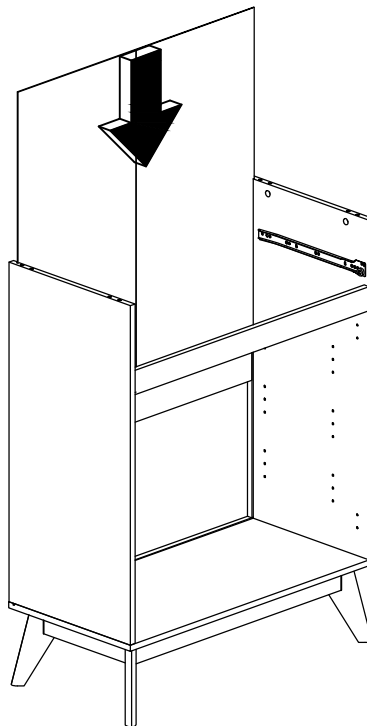


# Assembly Instruction

## STEP 8

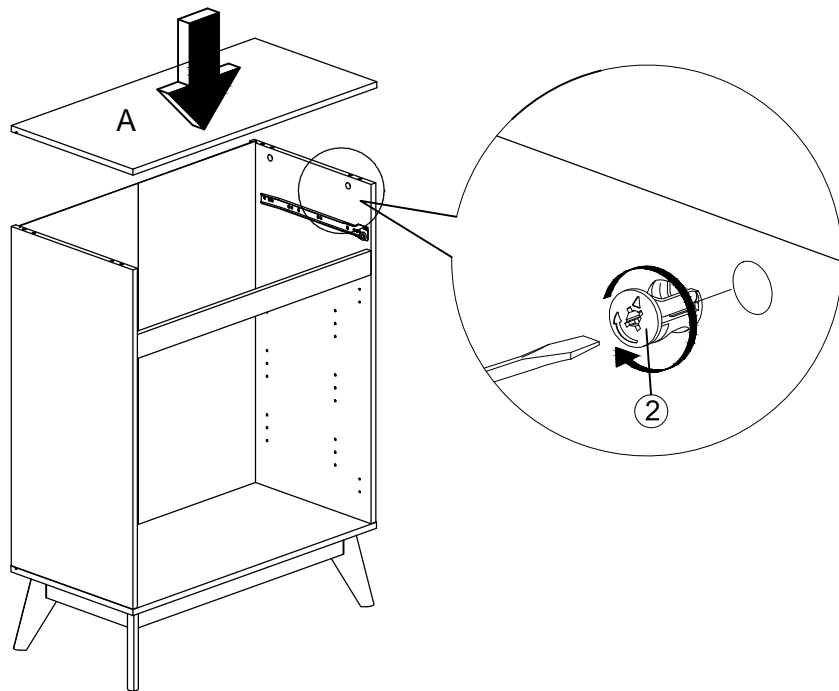


## STEP 9

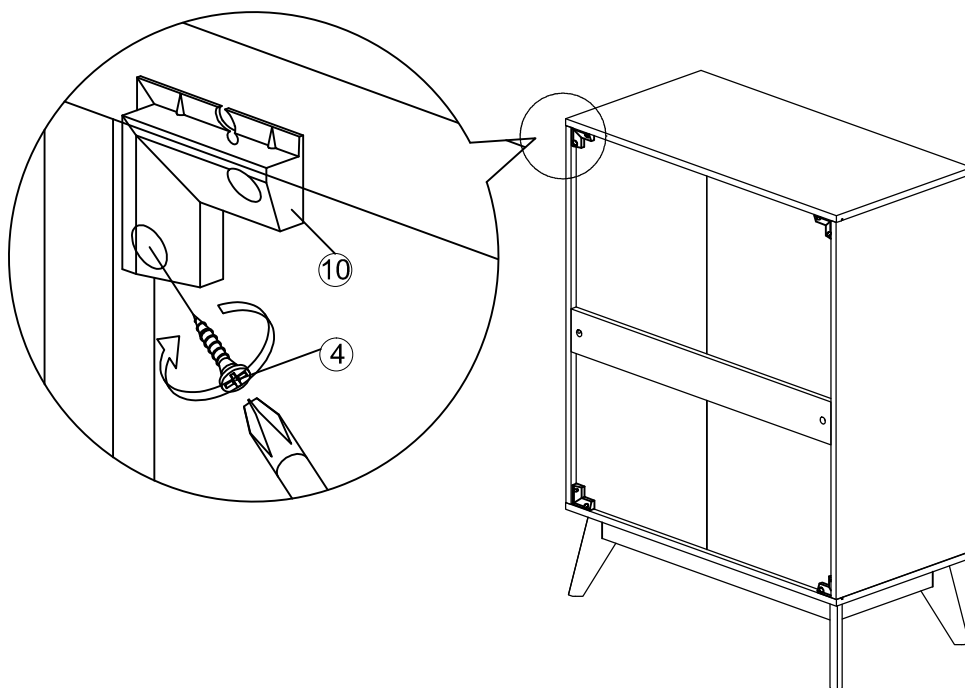


# Assembly Instruction

## STEP 10

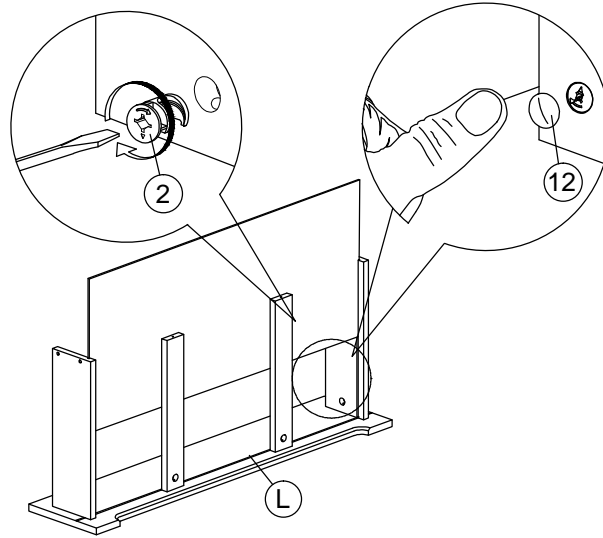


## STEP 11

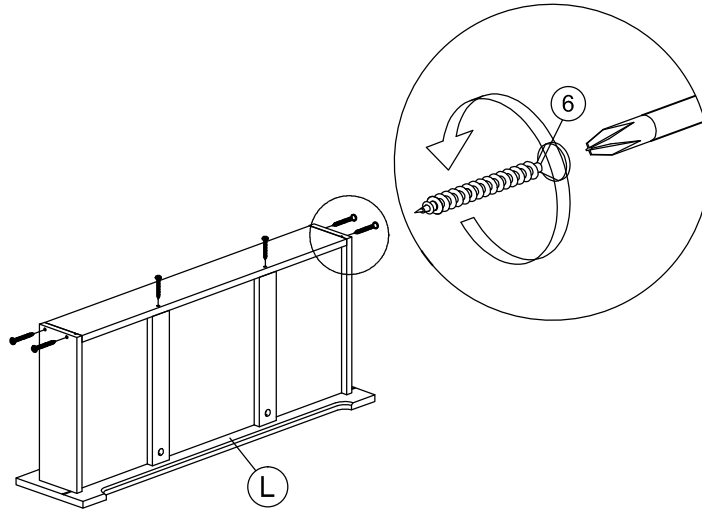


# Assembly Instruction

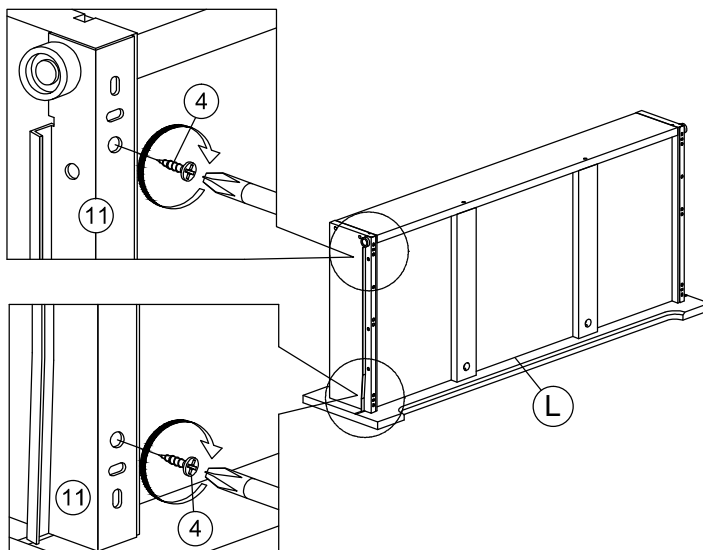
## STEP 12



## STEP 13



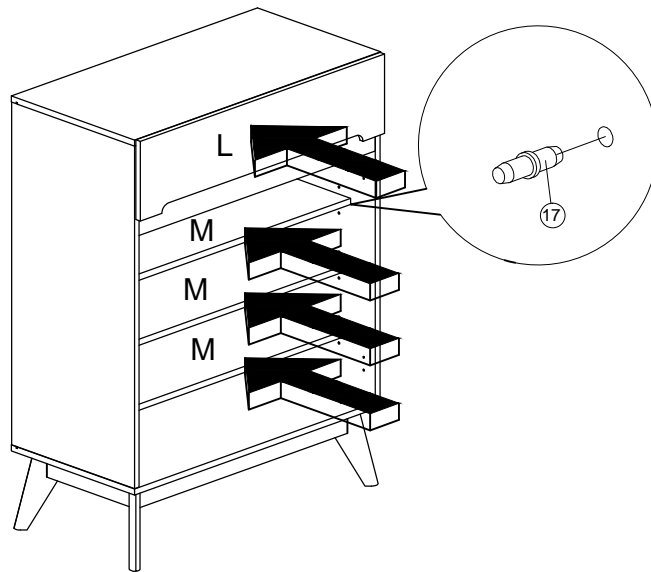
## STEP 14



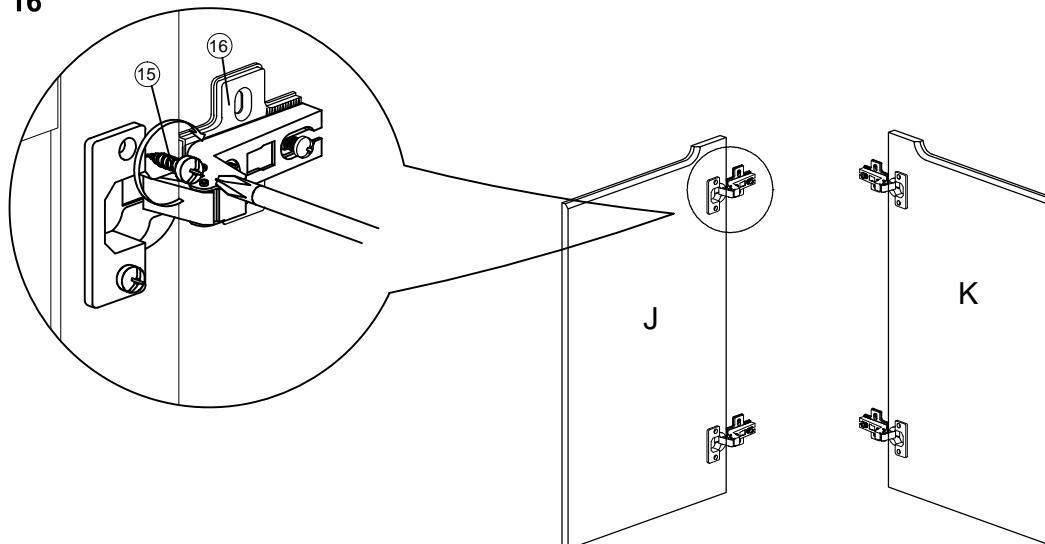


# Assembly Instruction

## STEP 15



## STEP 16



## STEP 17

