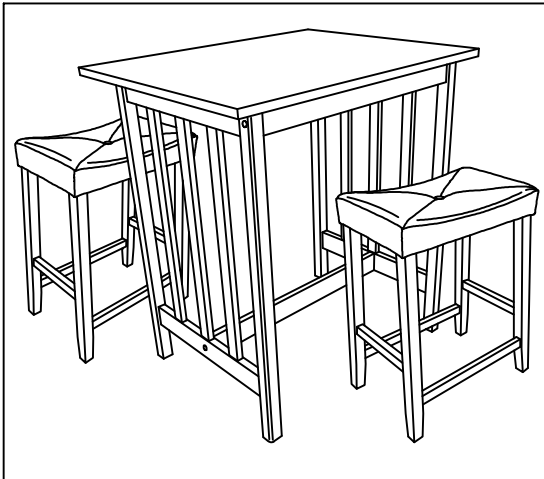










ASSEMBLY INSTRUCTION

Model : CS-01- DARK BROWN-3PCS PUB SET

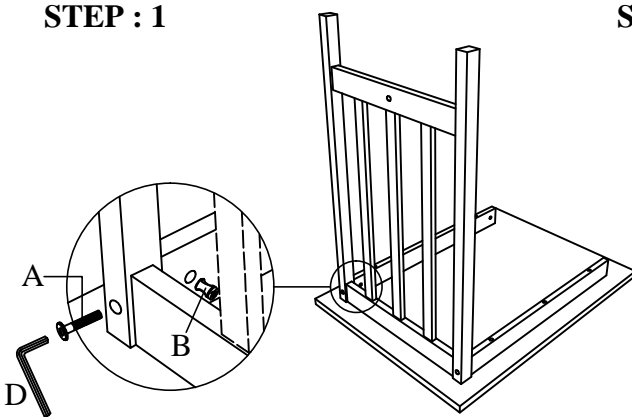


NO	HARDWARE PACK (FOR TABLE)	QTY
A	JCBC Screw M6 x 55mm 	6
B	Barrel Nut 	6
C	Wood Button 	6
D	Allen Key M4 	1

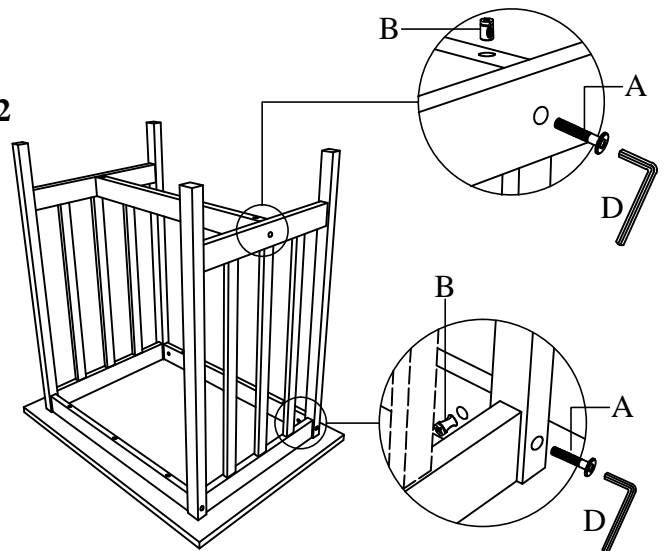
NO	HARDWARE PACK (FOR STOOL)	QTY
E	JCBC BOLT M6 x 45mm 	8
F	CSK CB Screw M4 X 32mm 	16
G	Flat Washer 	8
H	Spring Washer 	8

- Place all wooden parts on a clean and smooth surface such as a rug or carpet to avoid the parts from being scratched .
- Check to be sure that you have all parts and hardware .
- Remove all wrapping materials, including packing straps before you start to assemble.
- Keep all hardware parts out of reach of children.

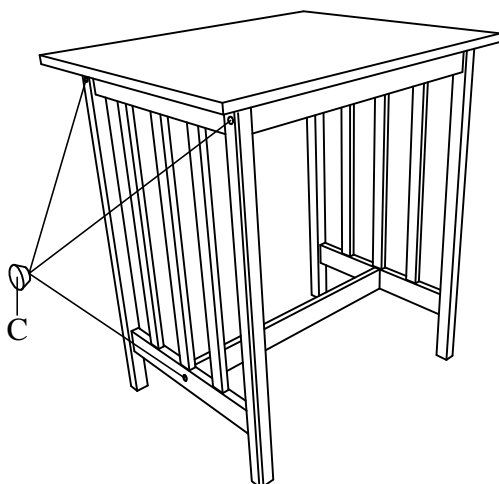
STEP : 1



STEP : 2



STEP : 3



FOR STOOL :-

