

ASSEMBLY INSTRUCTIONS


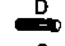
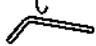
GROUP NO : CJ 5 BEDROOM

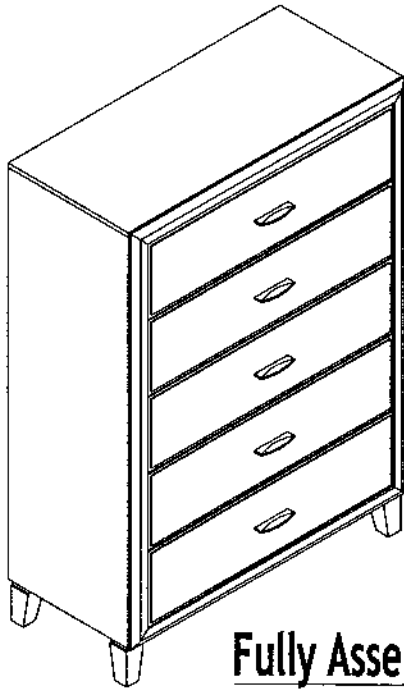
DESCRIPTION : CHEST
LEG

PARTS LIST

NO	DESCRIPTION	QTY
1	CHEST	1 PC.
2	LEG	4 PCS.
3	CENTER LEG	1 PC.

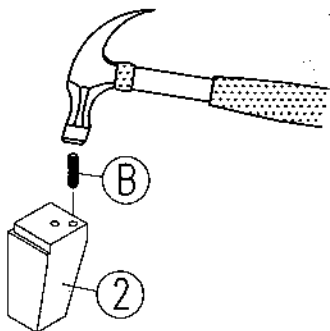
HARDWARE LIST

NO	DESCRIPTION	QTY	
A	JCBC M6 x 90MM	4 PCS.	
B	WOOD DOWEL 8 x 30MM	4 PCS.	
C	ALLEN KEY	1PC.	

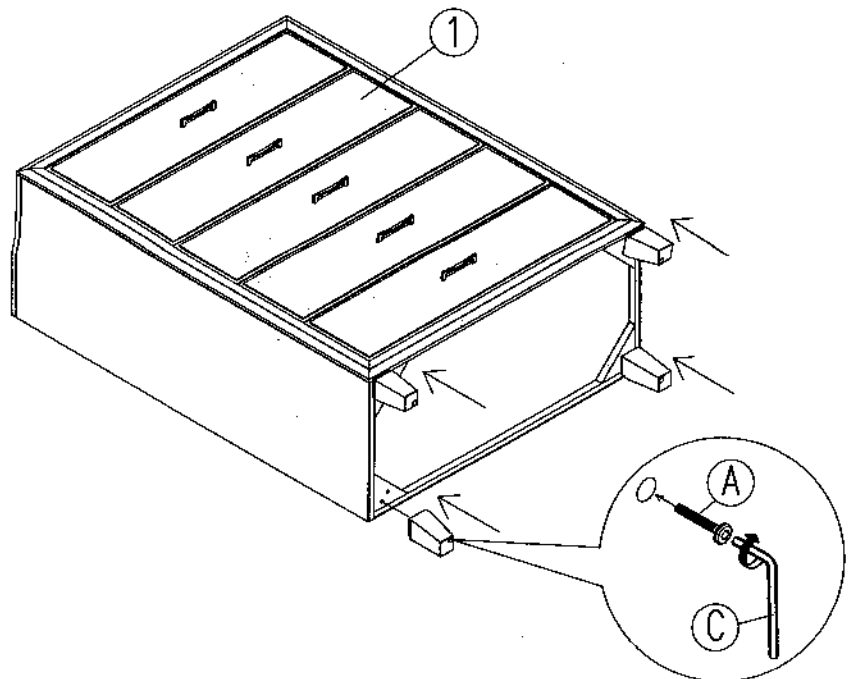


Fully Assembly

STEP 1



STEP 2



TOOL REQUIRED (NOT PROVIDED)

