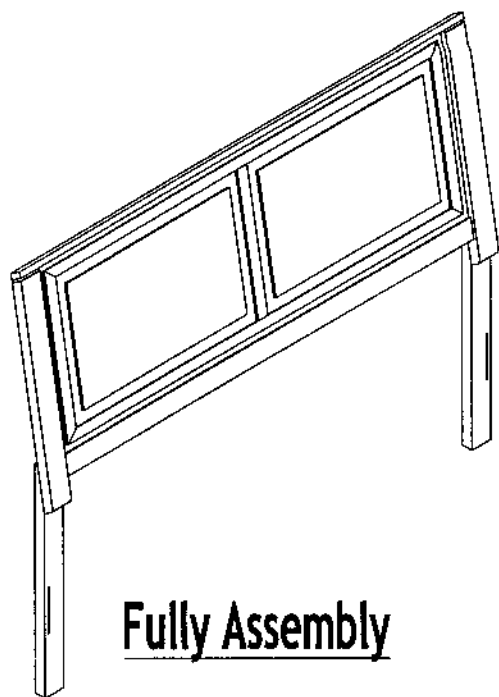


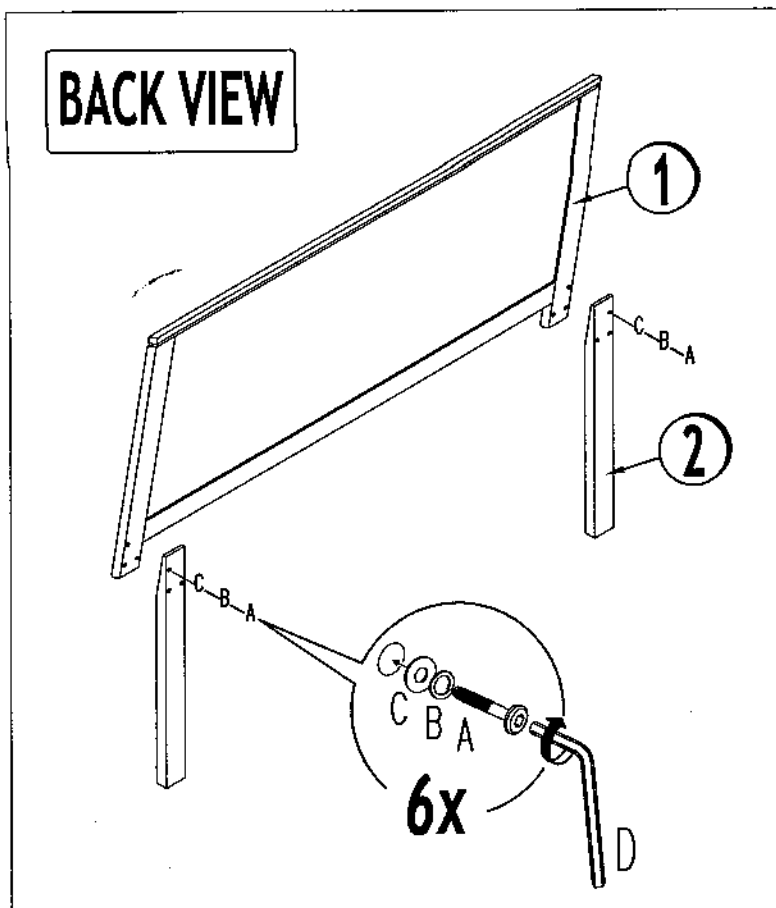
ASSEMBLY INSTRUCTIONS

GROUP NO : CJ 5 BEDROOM

DESCRIPTION : QUEEN HB
QUEEN LEG



Fully Assembly

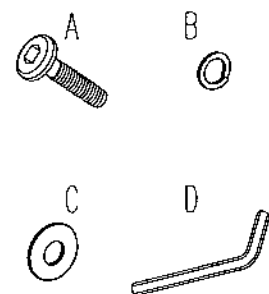


PARTS LIST

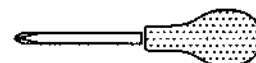
NO	DESCRIPTION	QTY
1	HEADBOARD	1 PC.
2	HEADBOARD LEG (L / R.)	2 PCS.

HARDWARE LIST

NO	DESCRIPTION	QTY
A	JCBC (M6 x 35MM)	6 PCS.
B	SPRING WASHER (M6)	6 PCS.
C	FLAT WASHER (M6)	6 PCS.
D	ALLEN KEY (M4)	1 PC.



TOOL REQUIRED (NOT PROVIDED)



IMPORTANT NOTE :

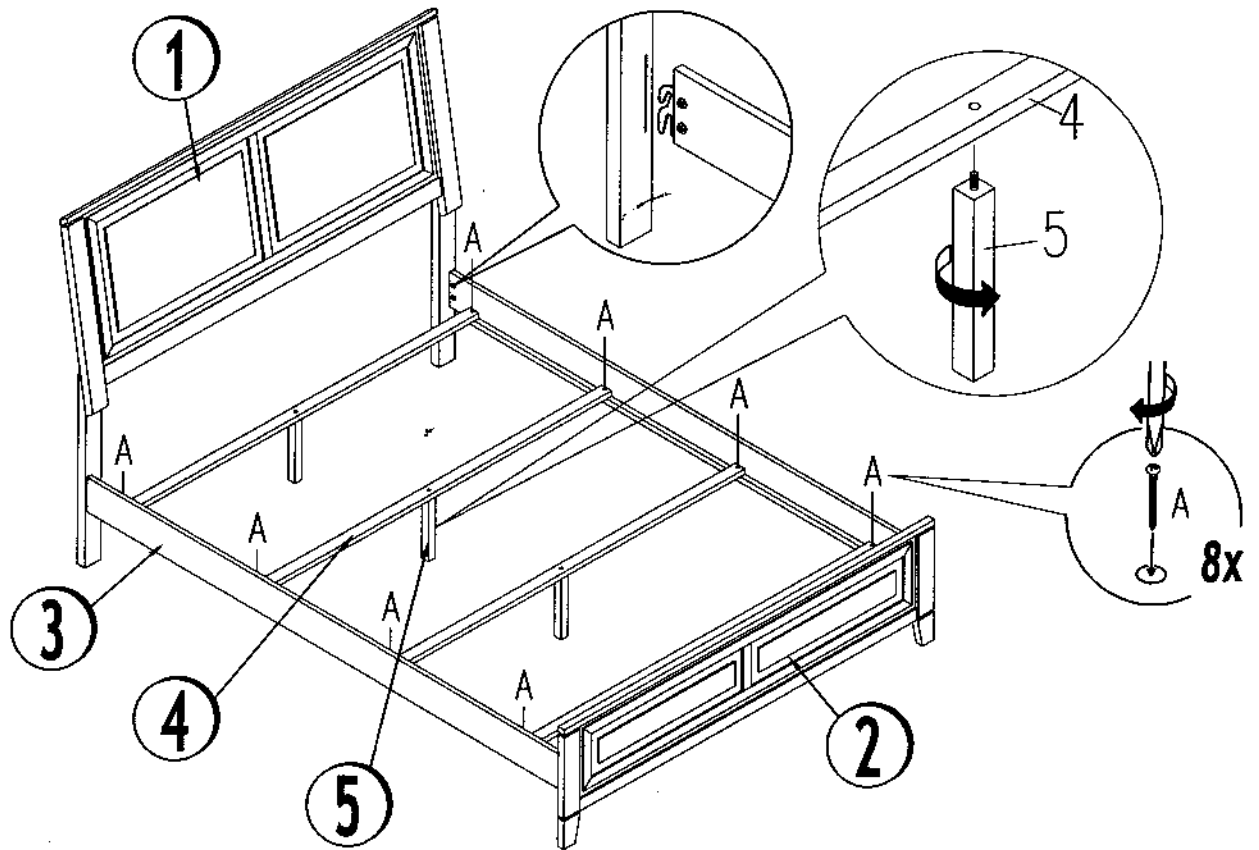
- * Place all wooden parts on a clean and smooth surface such as a rug or carpet to avoid the parts from being scratched.
- * Check to be sure that you have all parts and hardware.
- * Remove all wrapping materials, including staples & packing straps before you start to assemble.
- * Do not tighten all screws/bolts until all completely assembled.
- * Keep all hardware parts out of reach of children.

ASSEMBLY INSTRUCTIONS

GROUP NO : CJ 5 BEDROOM

DESCRIPTION : QUEEN HB / FB

QUEEN SIDE RAIL

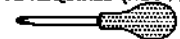


PARTS LIST

HARDWARE LIST

QTY	DESCRIPTION	QTY	NO	DESCRIPTION	QTY
1	HEADBOARD	1 PC.	A	M4 x 32MM PANHEAD SCREW	8 PCS.
2	FOOTBOARD	1 PC.			
3	SIDE RAIL	2 PCS.			
4	SLAT	4 PCS.			
5	VERTICAL LEG	4 PCS.			

TOOL REQUIRED (NOT PROVIDED)



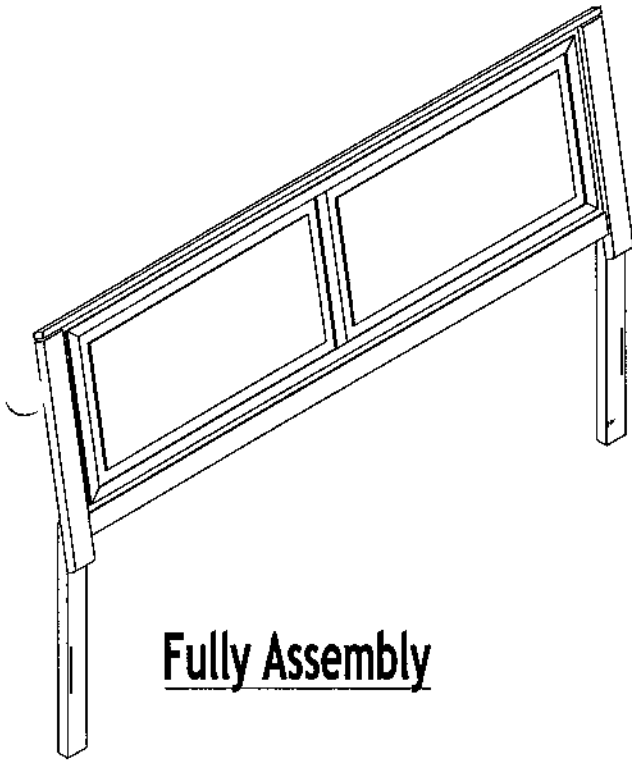
IMPORTANT NOTE :

- * Place all wooden parts on a clean and smooth surface such as a rug or carpet to avoid the parts from being scratched.
- * Check to be sure that you have all parts and hardware.
- * Remove all wrapping materials, including staples & packing straps before you start to assemble.
- * Do not tighten all screws/bolts until all completely assembled.
- * Keep all hardware parts out of reach of children.

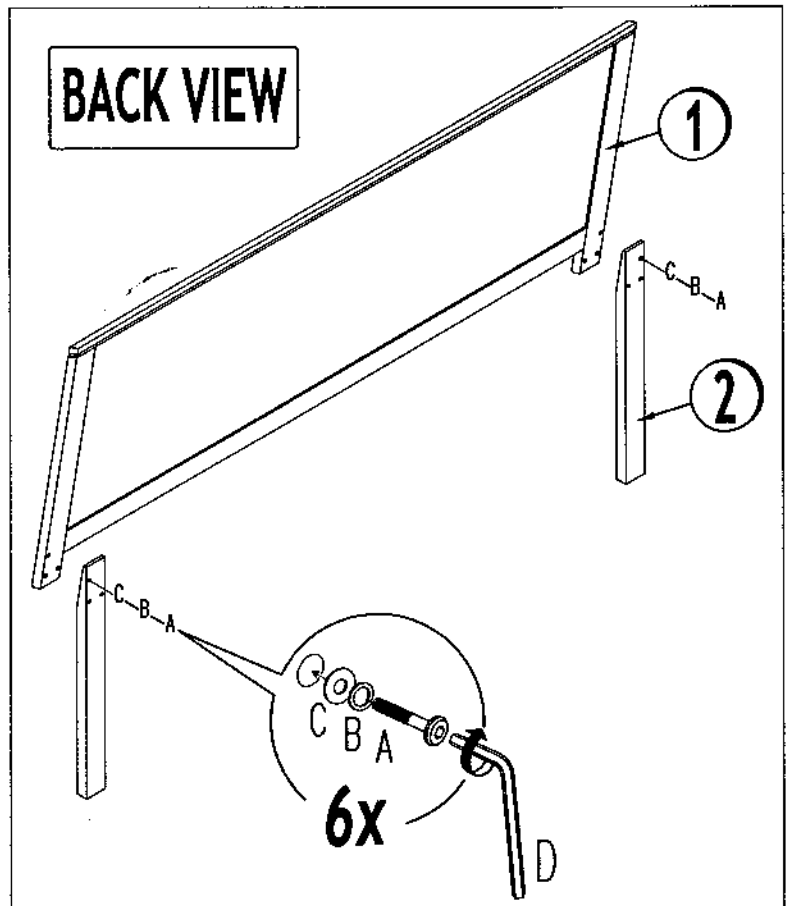
ASSEMBLY INSTRUCTIONS

GROUP NO : CJ 5 BEDROOM

DESCRIPTION : KING HB
KING LEG



Fully Assembly

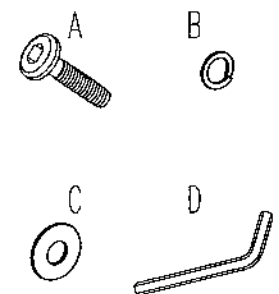


PARTS LIST

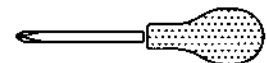
NO	DESCRIPTION	QTY
1	HEADBOARD	1 PC.
2	HEADBOARD LEG (L / R.)	2 PCS.

HARDWARE LIST

NO	DESCRIPTION	QTY
A	JCBC (M6 x 35MM)	6 PCS.
B	SPRING WASHER (M6)	6 PCS.
C	FLAT WASHER (M6)	6 PCS.
D	ALLEN KEY (M4)	1 PC.



TOOL REQUIRED (NOT PROVIDED)



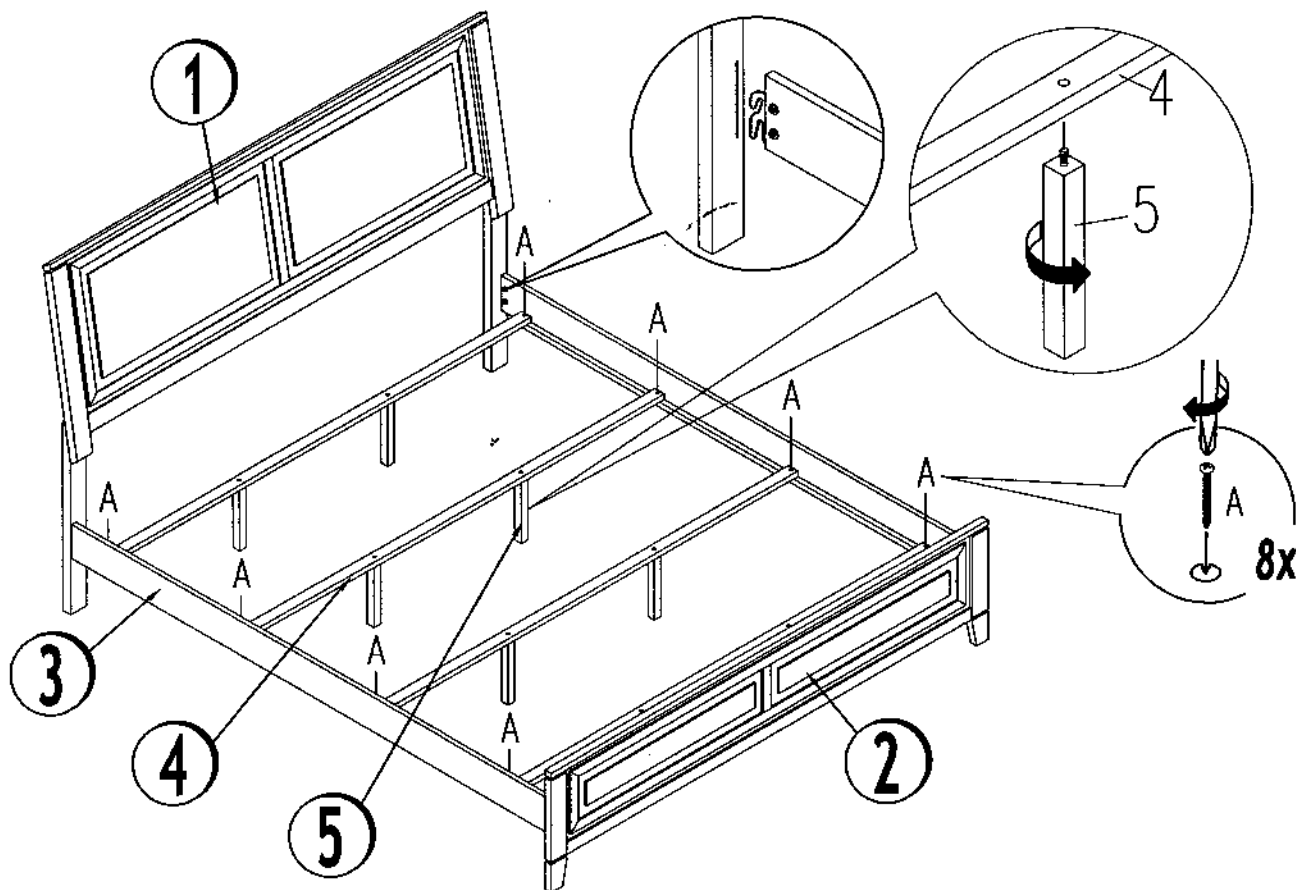
IMPORTANT NOTE :

- * Place all wooden parts on a clean and smooth surface such as a rug or carpet to avoid the parts from being scratched.
- * Check to be sure that you have all parts and hardware.
- * Remove all wrapping materials, including staples & packing straps before you start to assemble.
- * Do not tighten all screws/bolts until all completely assembled.
- * Keep all hardware parts out of reach of children.

ASSEMBLY INSTRUCTIONS

GROUP NO : CJ 5 BEDROOM

DESCRIPTION : KING HB / FB
KING SIDE RAIL

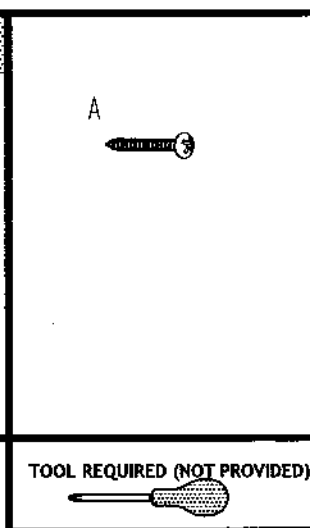


PARTS LIST

QTY	DESCRIPTION	QTY
1	HEADBOARD	1 PC.
2	FOOTBOARD	1 PC.
3	SIDE RAIL	2 PCS.
4	SLAT	4 PCS.
5	VERTICAL LEG	8 PCS.

HARDWARE LIST

NO	DESCRIPTION	QTY
A	M4 x 32MM PANHEAD SCREW	8 PCS.



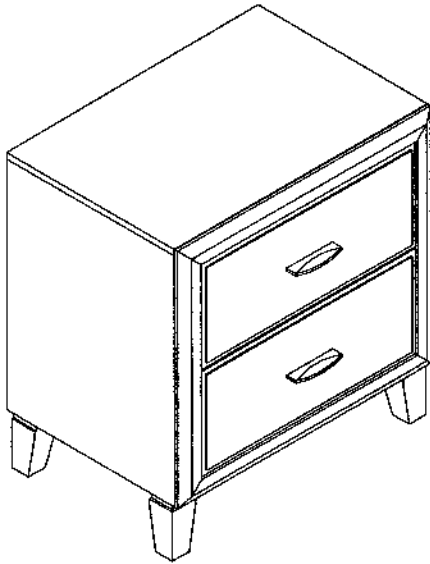
IMPORTANT NOTE :

- * Place all wooden parts on a clean and smooth surface such as a rug or carpet to avoid the parts from being scratched.
- * Check to be sure that you have all parts and hardware.
- * Remove all wrapping materials, including staples & packing straps before you start to assemble.
- * Do not tighten all screws/bolts until all completely assembled.
- * Keep all hardware parts out of reach of children.

ASSEMBLY INSTRUCTIONS

GROUP NO : CJ 5 BEDROOM

DESCRIPTION : NIGHT STAND
LEG

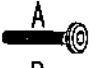
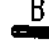
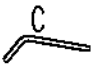


Fully Assembly

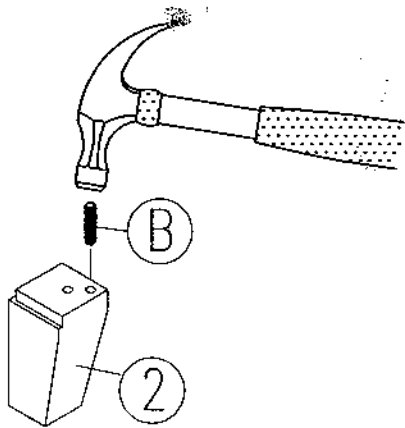
PARTS LIST

NO	DESCRIPTION	QTY
1	DRESSER	1 PC.
2	LEG	4 PCS.

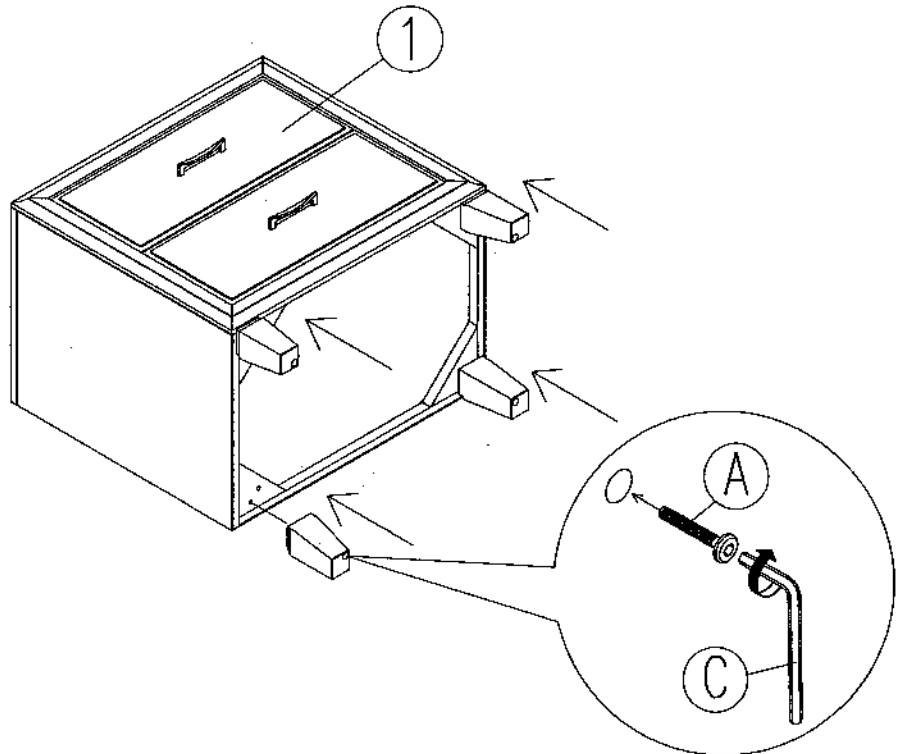
HARDWARE LIST

NO	DESCRIPTION	QTY	
A	JCBC M6 x 90MM	4 PCS.	
B	WOOD DOWEL 8 x 30MM	4 PCS.	
C	ALLEN KEY	1PC.	

STEP 1



STEP 2



TOOL REQUIRED (NOT PROVIDED)



ASSEMBLY INSTRUCTIONS


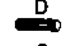
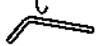
GROUP NO : CJ 5 BEDROOM

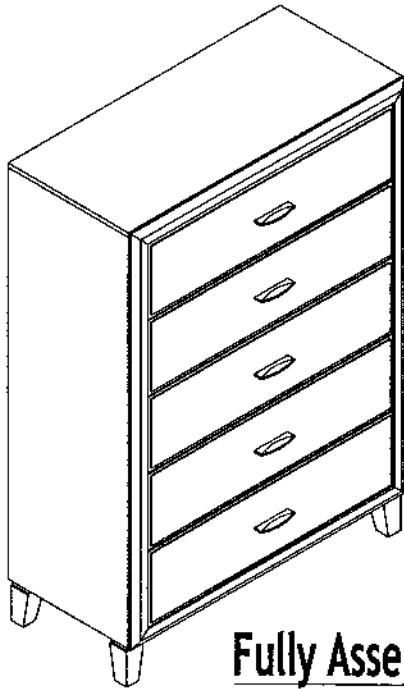
DESCRIPTION : CHEST
LEG

PARTS LIST

NO	DESCRIPTION	QTY
1	CHEST	1 PC.
2	LEG	4 PCS.
3	CENTER LEG	1 PC.

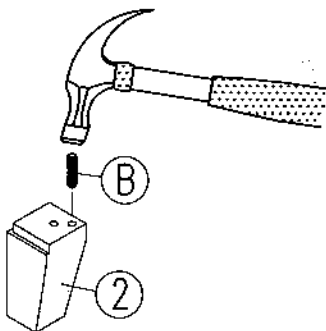
HARDWARE LIST

NO	DESCRIPTION	QTY	
A	JCBC M6 x 90MM	4 PCS.	
B	WOOD DOWEL 8 x 30MM	4 PCS.	
C	ALLEN KEY	1PC.	

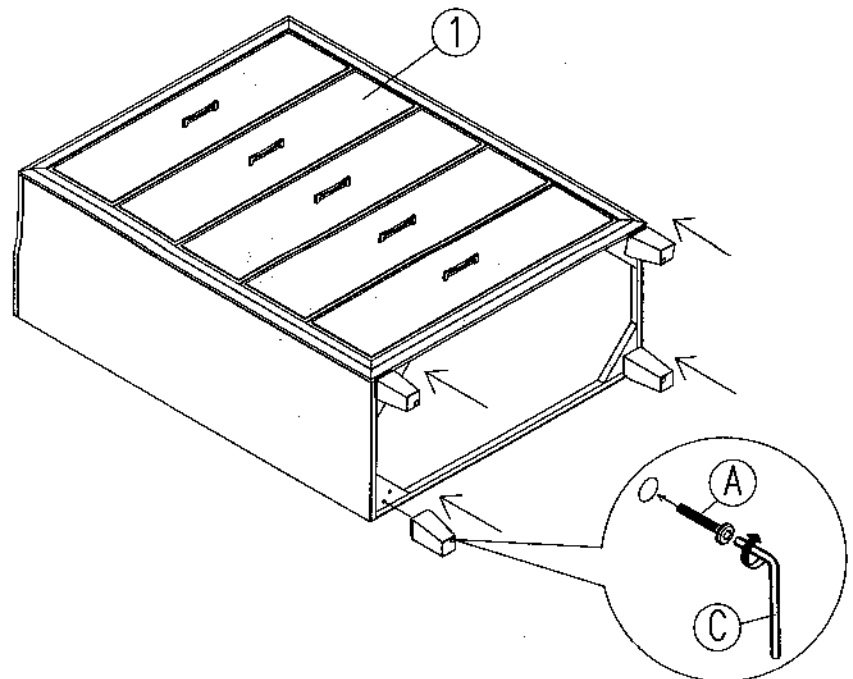


Fully Assembly

STEP 1



STEP 2



TOOL REQUIRED (NOT PROVIDED)



ASSEMBLY INSTRUCTIONS

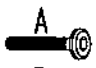
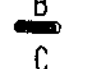

GROUP NO : CJ 5 BEDROOM

DESCRIPTION : DRESSER
LEG

PARTS LIST

NO	DESCRIPTION	QTY
1	DRESSER	1 PC.
2	LEG	4 PCS.
3	CENTER LEG	1 PC.

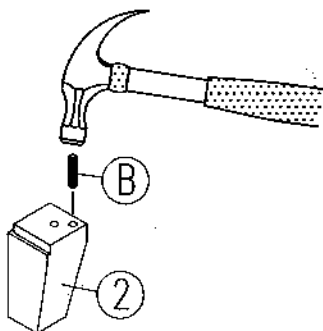
HARDWARE LIST

NO	DESCRIPTION	QTY	
A	JCBC M6 x 90MM	4 PCS.	
B	WOOD DOWEL 8 x 30MM	4 PCS.	
C	ALLEN KEY	1PC.	

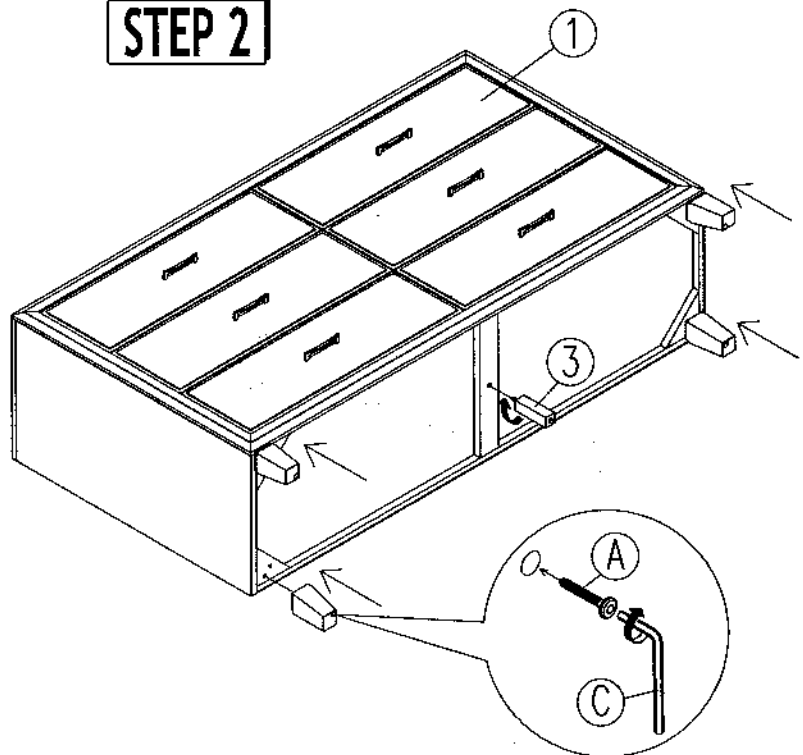


Fully Assembly

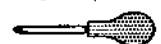
STEP 1



STEP 2



TOOL REQUIRED (NOT PROVIDED)



ASSEMBLY INSTRUCTIONS


GROUP NO : CJ 5 BEDROOM

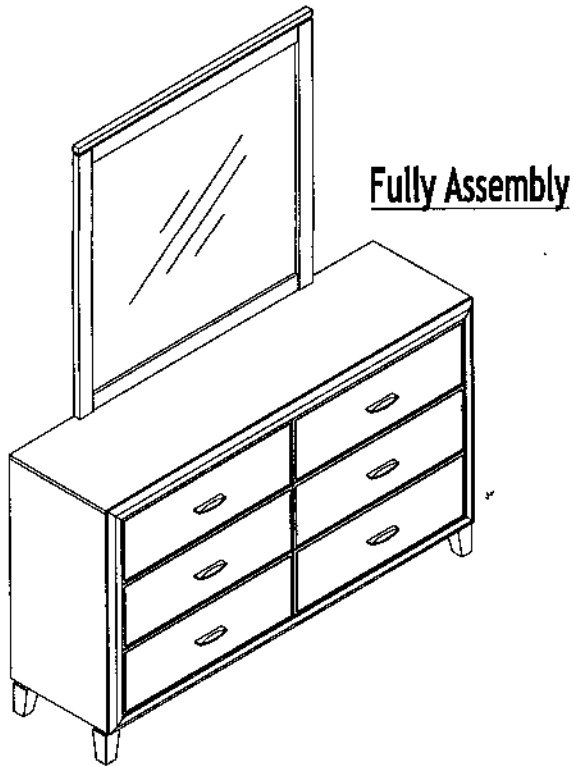
DESCRIPTION : DRESSER
MIRROR

PARTS LIST

NO	DESCRIPTION	QTY
1	MIRROR FRAME	1 PC.
2	SUPPORT RAIL	2 PCS.

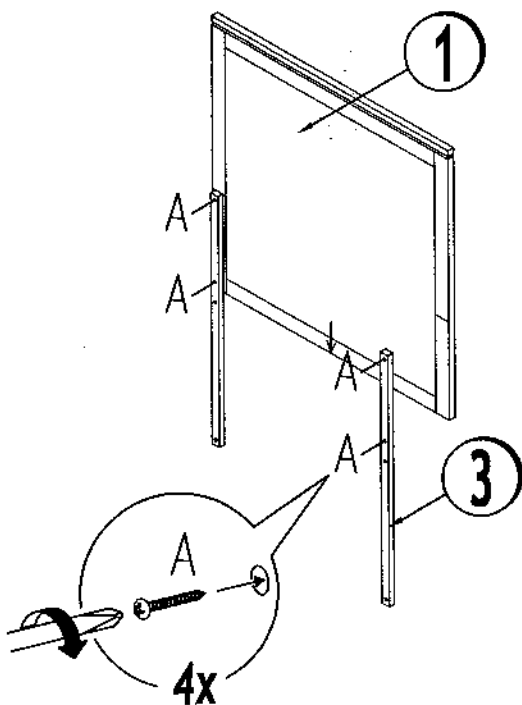
HARDWARE LIST

NO	DESCRIPTION	QTY	
A	PANHEAD SCREW M4 x 32MM	8 PCS.	



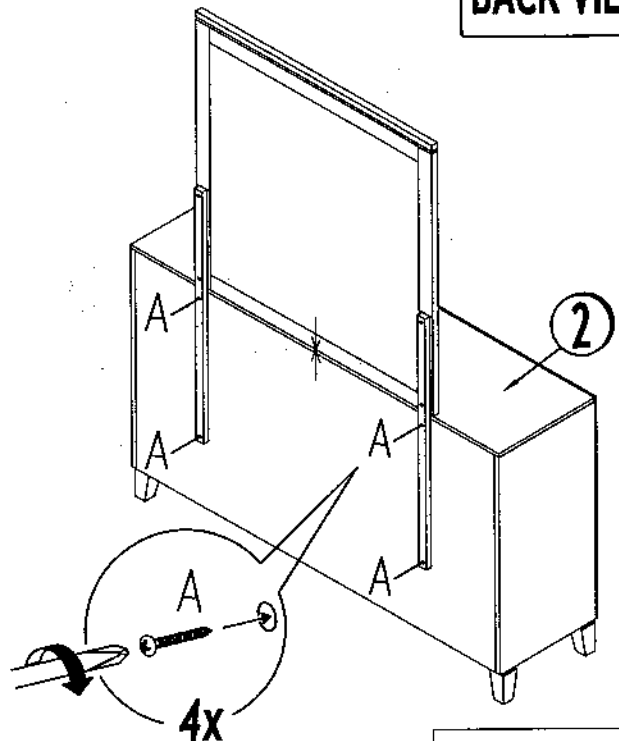
STEP 1

BACK VIEW



STEP 2

BACK VIEW



TOOL REQUIRED (NOT PROVIDED)

