







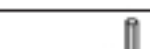
ASSEMBLY INSTRUCTIONS

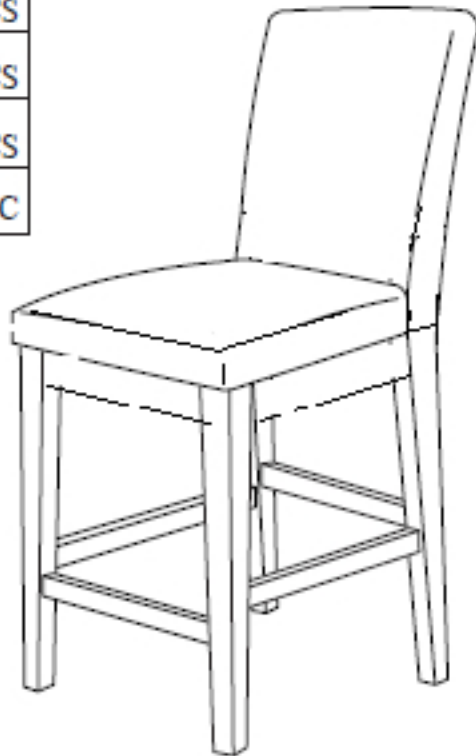
MODEL : CH3 & CH4

IMPORTANT NOTE :

- * PLACE ALL WOODEN PARTS ON A CLEAN AND SMOOTH SURFACE SUCH AS A RUG OR CARPET TO AVOID THE PARTS FROM BEING SCRATCHED.
- * BEFORE YOU BEGIN, KINDLY FOLLOW THE ASSEMBLY INSTRUCTIONS STEP BY STEP.
- * DO NOT TIGHTEN ALL SCREWS UNTIL THE CHAIR IS FULLY SET-UP

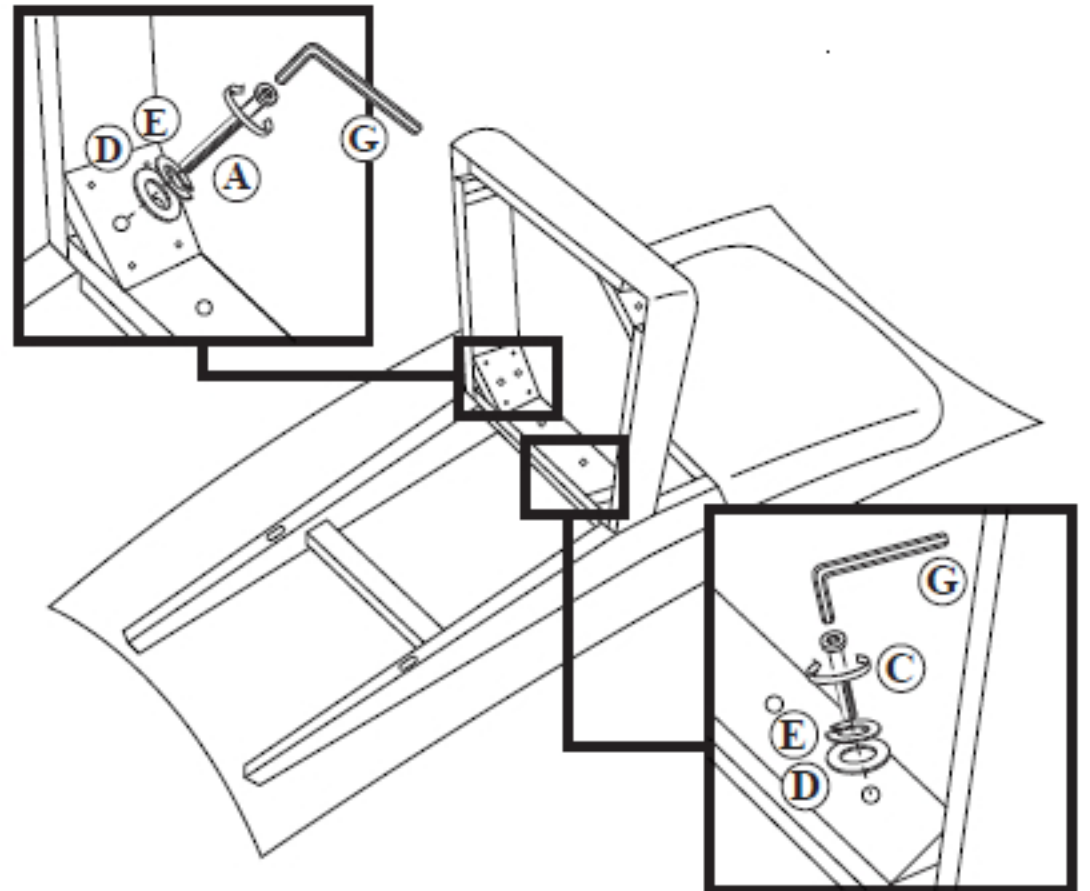
HARDWARE LIST

A	JCBC BOLT (LONG)		4 PCS
B	JCBC BOLT (MEDIUM)		4 PCS
C	JCBC BOLT (SHORT)		2 PCS
D	FLAT WASHER		10 PCS
E	SPRING WASHER		10 PCS
F	WOOD SCREW		9 PCS
G	ALLEN KEY		1 PC



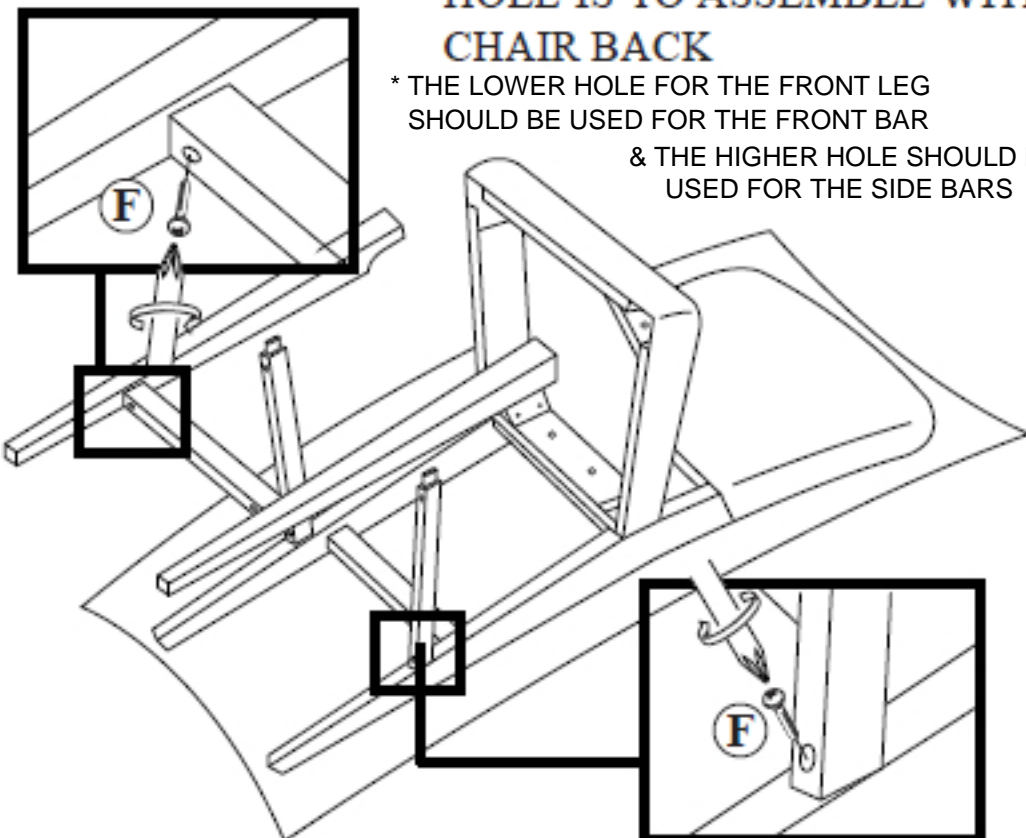
Fully Set-up

STEP 1

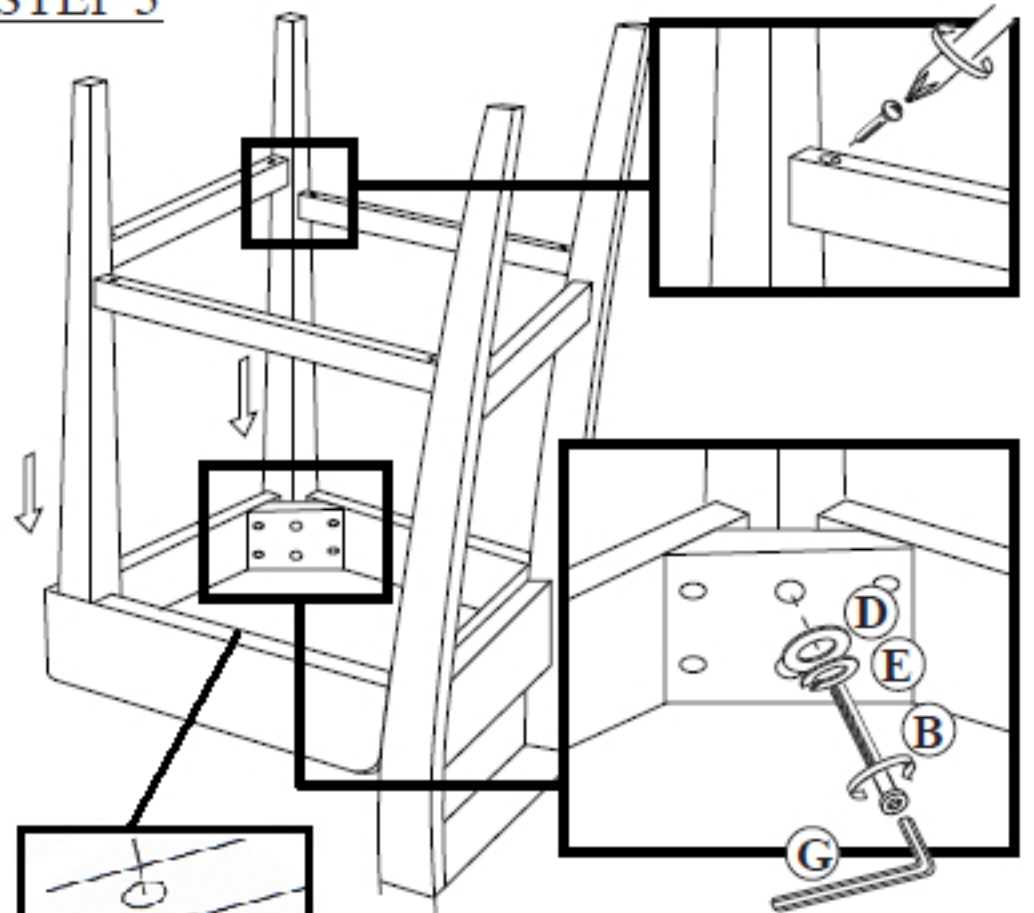


STEP 2 *REMARK: STRETCHER WITH A SMALL HOLE IS TO ASSEMBLE WITH CHAIR BACK

* THE LOWER HOLE FOR THE FRONT LEG SHOULD BE USED FOR THE FRONT BAR & THE HIGHER HOLE SHOULD BE USED FOR THE SIDE BARS



STEP 3



Attach the Cushion & tighten it with Wood screw (F).



CH 3



CH 4