

MODEL: CF 8987 (3)

# ASSEMBLY INSTRUCTION

A		1 pc
B		1 pc
C		1 pc
D		1 pc
E		1 pc
F		1 pc
G		2 pcs
H		1 pc
I		4 pcs

Step 1: Attach the back panel (B) to arm (A). Attach side rail (D) to arm (A) by pushing the bracket down to fit it. Tighten the 4 corner with Allen Key (1)

**BACK VIEW**

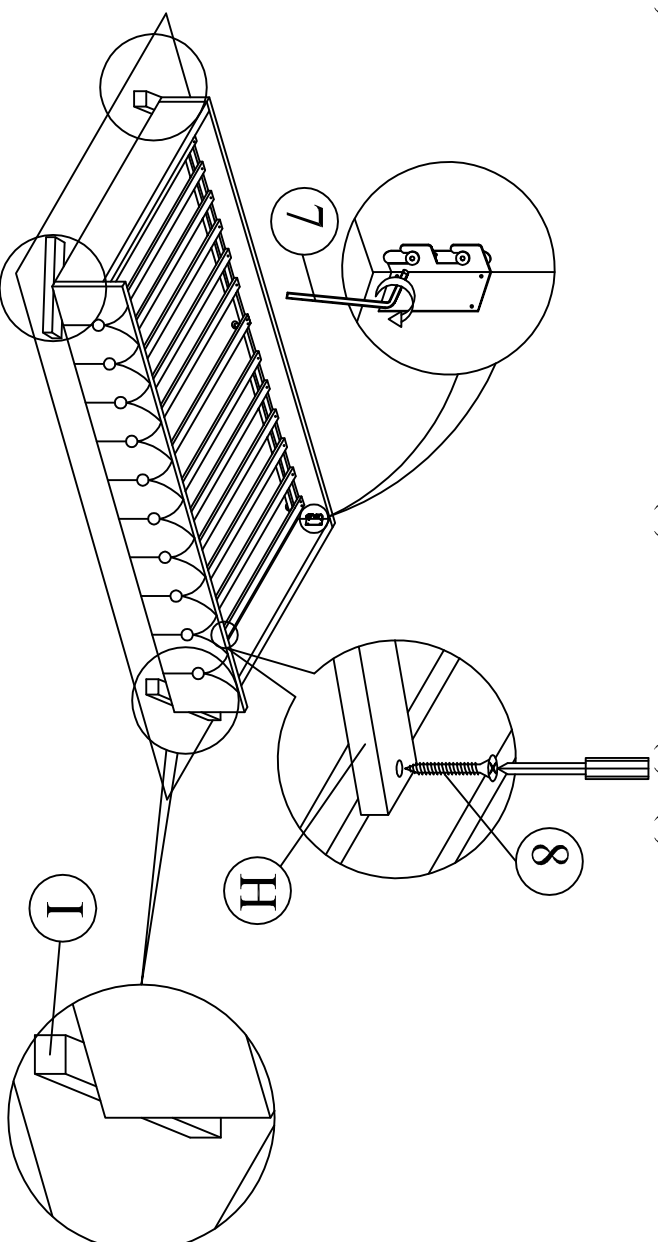
Step 2: Tighten the slats with CSK screw (3). The distance of the slats should be sufficient to obtain desirable bed stability.

Packing Hardware (1)		
1		1 pc
2		1 pc
3		32 pcs
4		4 pcs
5		4 pcs
6		4 pcs
Packing Hardware (2)		
7		1 pc
8		32 pcs
9		24 pcs
10		6 pcs

Step 3: Attach trundle side panel (G) and trundle front panel (E) to trundle back panel (F) by pushing the bracket down to fit it.

Step 4: Affix the roller (10) to the slat (H) follow the marking on the slat (H)

Step 6: Place the wooden blocks (I) at the corner of the trundle and fix the slat (H) to the side rail at (E) & (F).



Step 7: Assembly is complete

