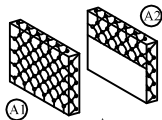
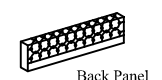
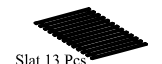




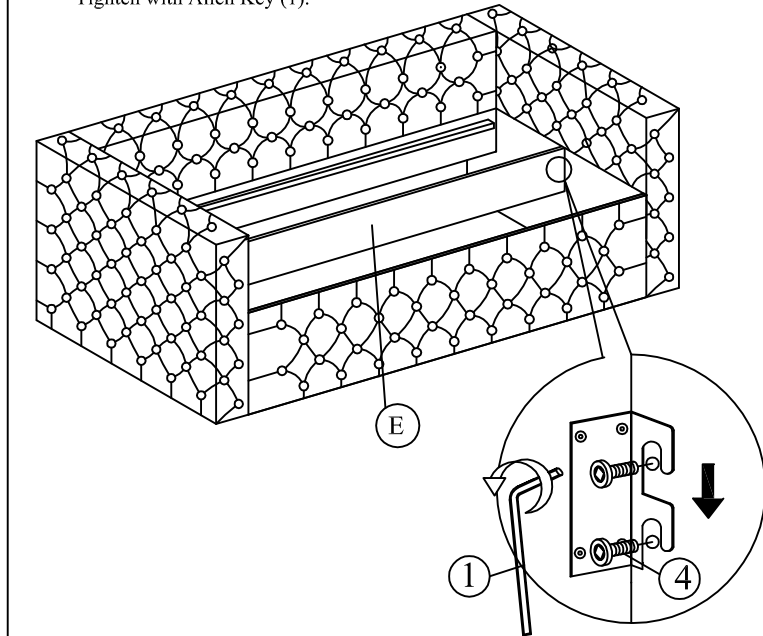
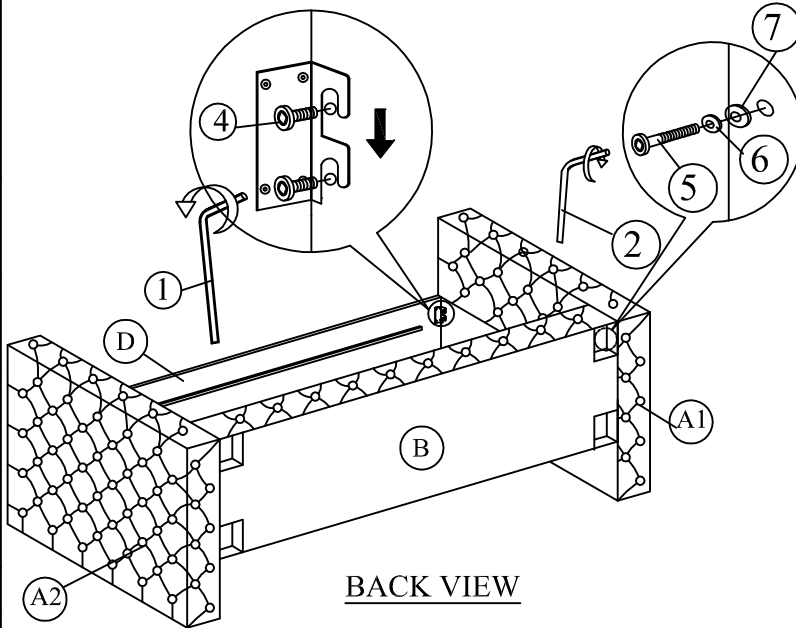
ASSEMBLY INSTRUCTION

MODEL: CF 8987-B (4'6")

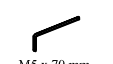



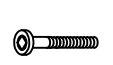


Step 1: Attach the back panel (B) to arm (A). Attach side rail (D) to arm (A) by pushing the bracket down to fit it. Tighten with Allen Key (1).

Step 2: Attach middle panel (E) to arm (A) by pushing the bracket down to fit it. Tighten with Allen Key (1).

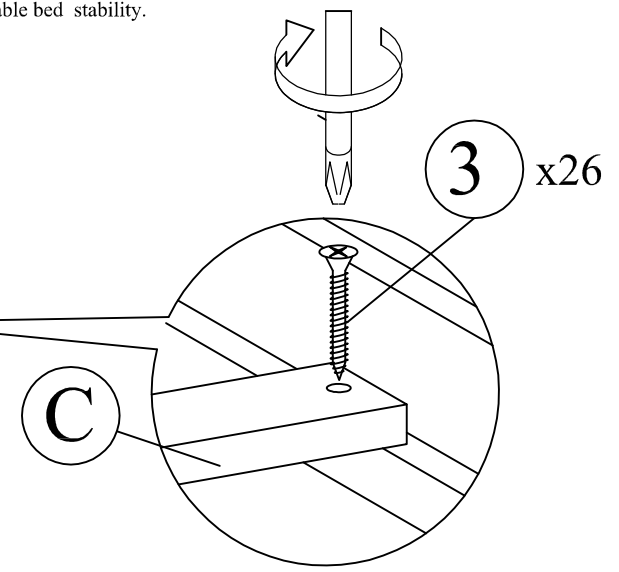
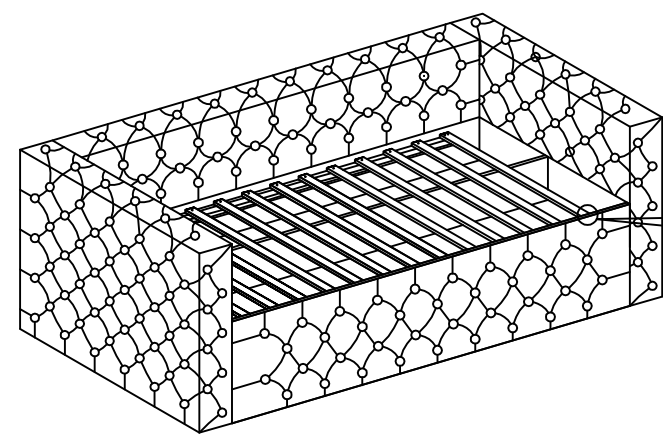
A		1 pc
B		1 pc
C		1 pc
D		1 pc
E		1 pc



Packing Hardware

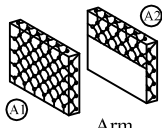
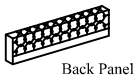
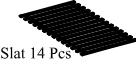
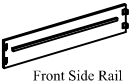
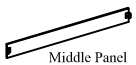
1		1 pc
2		1 pc
3		26 pcs
4		12 pcs
5		4 pcs
6		4 pcs
7		4 pcs

Step 3: Tighten the slats with CSK screw (3). The distance of the slats should be sufficient to obtain desirable bed stability.

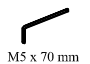
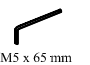


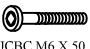




ASSEMBLY INSTRUCTION

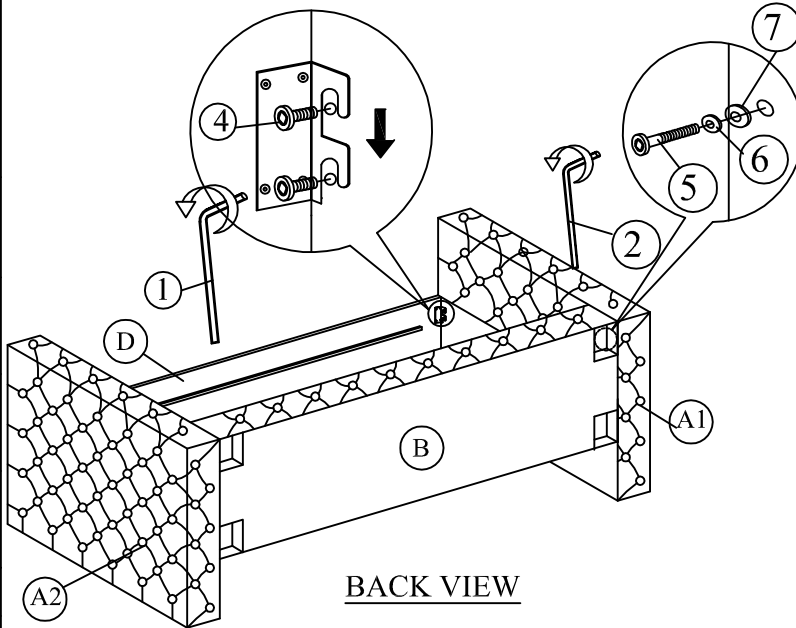
MODEL: CF 8987-B (5')

A		1 pc
B		1 pc
C		1 pc
D		1 pc
E		1 pc

Packing Hardware

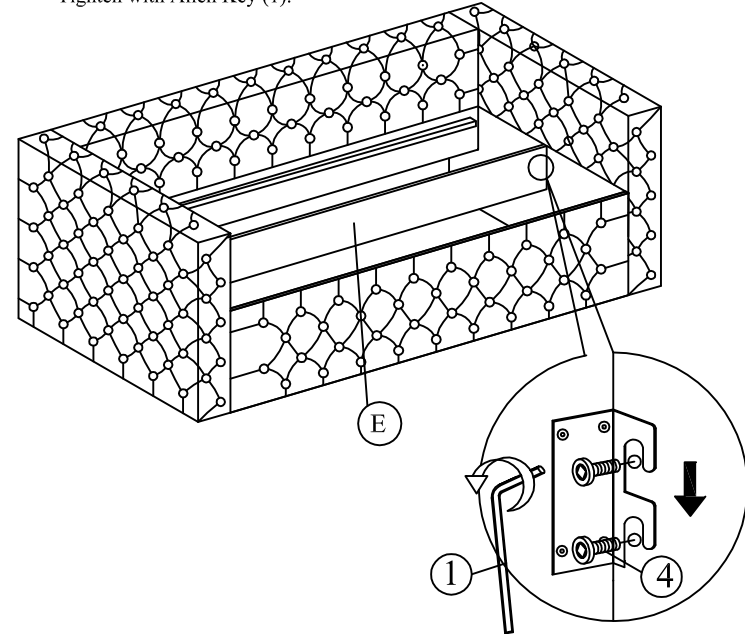
1		1 pc
2		1 pc
3		28 pcs
4		12 pcs
5		4 pcs
6		4 pcs
7		4 pcs

Step 1: Attach the back panel (B) to arm (A). Attach side rail (D) to arm (A) by pushing the bracket down to fit it. Tighten with Allen Key (1).



BACK VIEW

Step 2: Attach middle panel (E) to arm (A) by pushing the bracket down to fit it. Tighten with Allen Key (1).



Step 3: Tighten the slats with CSK screw (3). The distance of the slats should be sufficient to obtain desirable bed stability.

