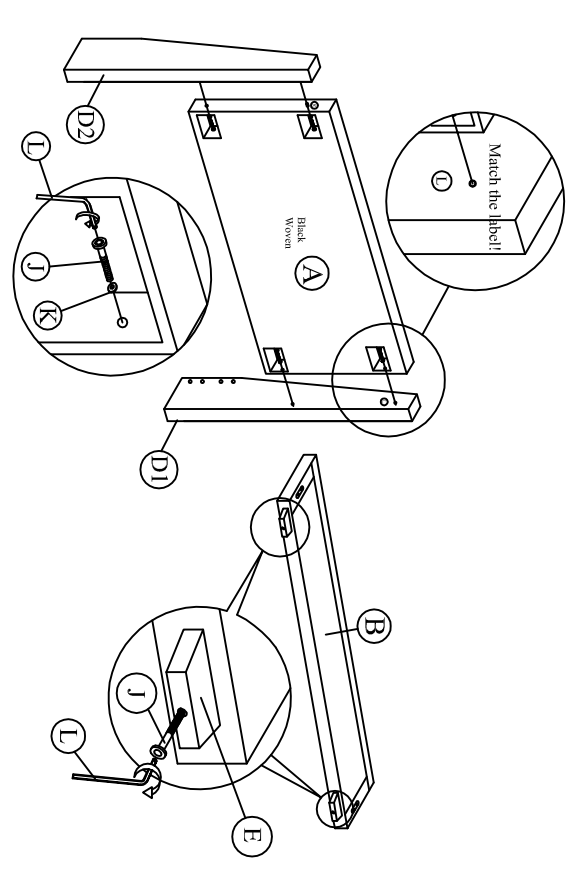


Model : CF 8957 (6') King

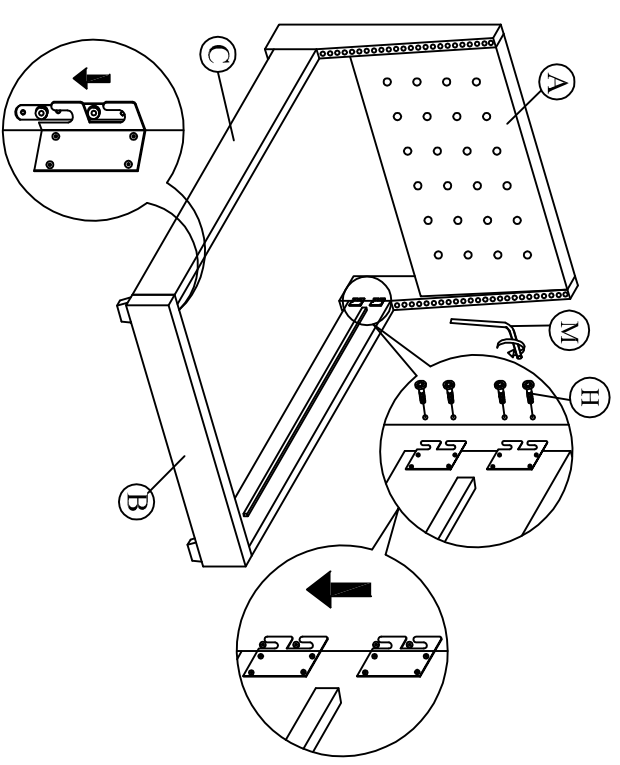
# Assembly Instruction

Step 1 : Fix the side wing & headboard and footboard with legs as shown. Please follow the label to identify the correct legs to be fixed.

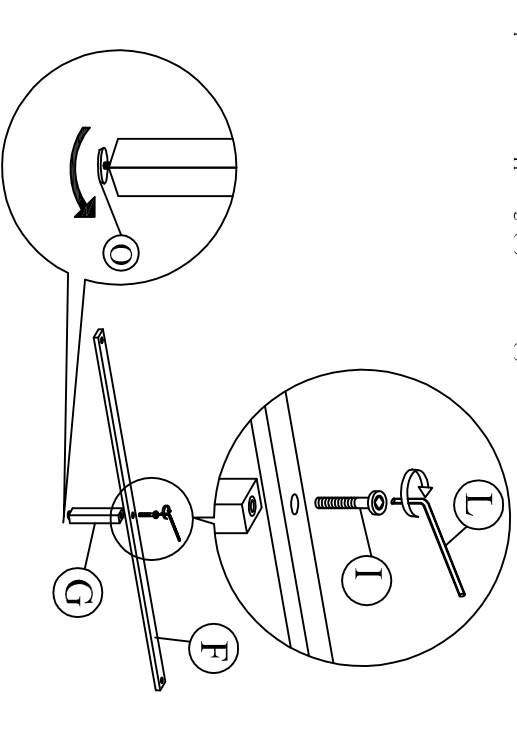
A	Headboard	1 pc
B	Footboard	1 pc
C	Side Rail	2 pcs
D	Side Wing D1 D2	2 pcs
E	Footboard Legs	2 pcs
F	Slat	5 pcs
G	Support Leg	5 pcs



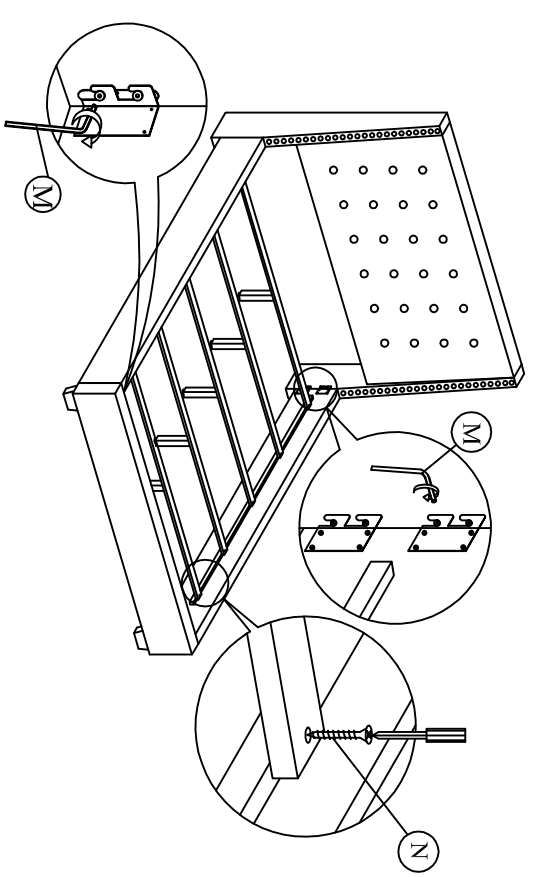
Step 2 : Attach Side Rail (C) to Headboard (A) and Footboard (B) by pushing the bracket down to fit it.



Step 3 : Attach the support legs (G) to the slats (F).



Step 4 : Tighten the 4 Corner with Allen Key (M). Install the bed slats to side rail. Tighten the slats with CSK screw. The distance of the slats should be sufficient to obtain desirable bed stability.



H	JCBB M8 X 20	8 pcs
I	JCRC M6 X 40	5 pcs
J	JCRC M6 X 50	6 pcs
K	Flat Washer	4 pcs
L	M4 x 100mm	1 pc
M	M4 x 70mm	1 pc
N	CSK M4 x 32mm	10 pcs
O	Adjuster	5 pcs