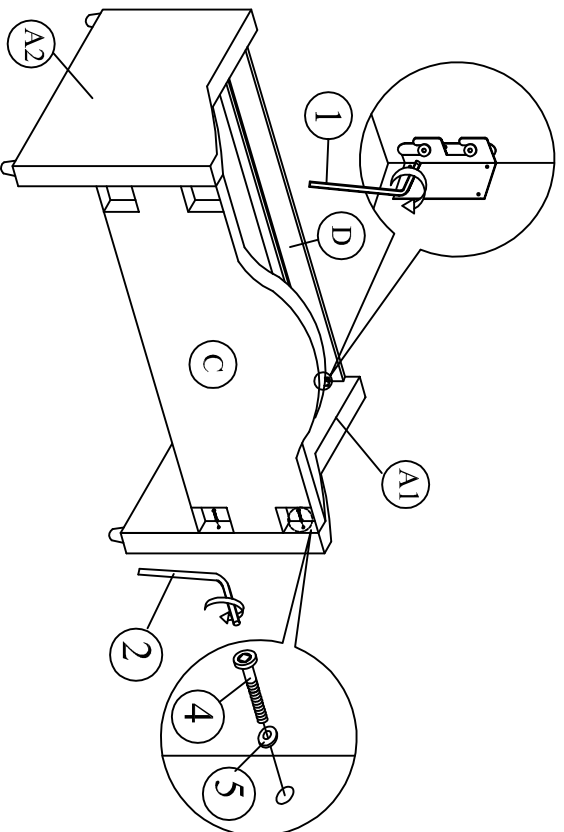


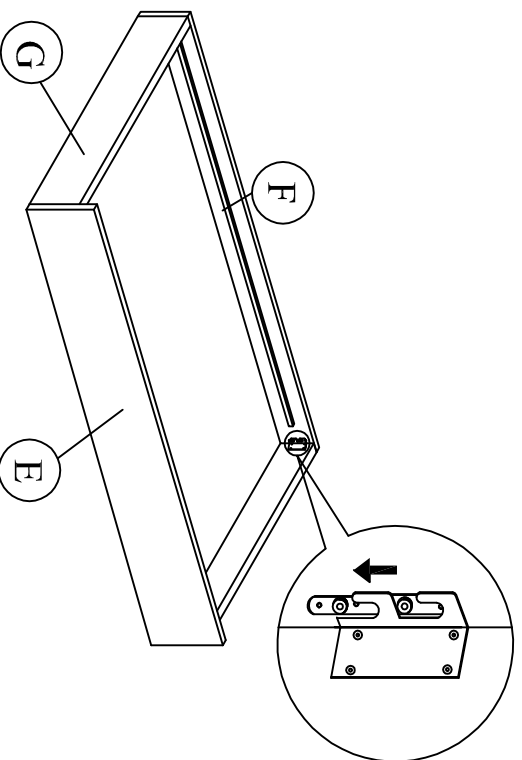
A	Arm A1	A2	2 pcs
B	Slat 13 Pcs		1 pc
C	Back Panel		1 pc
D	Side Rail		1 pc
E	Trundle Front Panel (FU)		1 pc
F	Trundle Back Panel		1 pc
G	Trundle Side Panel		2 pcs
H	Slat 13 Pcs		1 pc
Packing Hardware (1)			
1	M5 x 70 mm		1 pc
2	M5 x 65 mm		1 pc
3	CSK M4 x 32mm		32 pcs
4	JGBC M6 x 50		4 pcs
5	FLAT WASHER		4 pcs
Packing Hardware (2)			
6	M5 x 70 mm		1 pc
7	CSK M4 x 32 mm		44 pcs
8	Roller With Wooden		6 pcs

Step 1: Attach the back panel (C) to arm (A) . Attach side rail (D) to arm (A) by pushing the bracket down to fit it. Tighten the 4 corner with Allen Key (1)

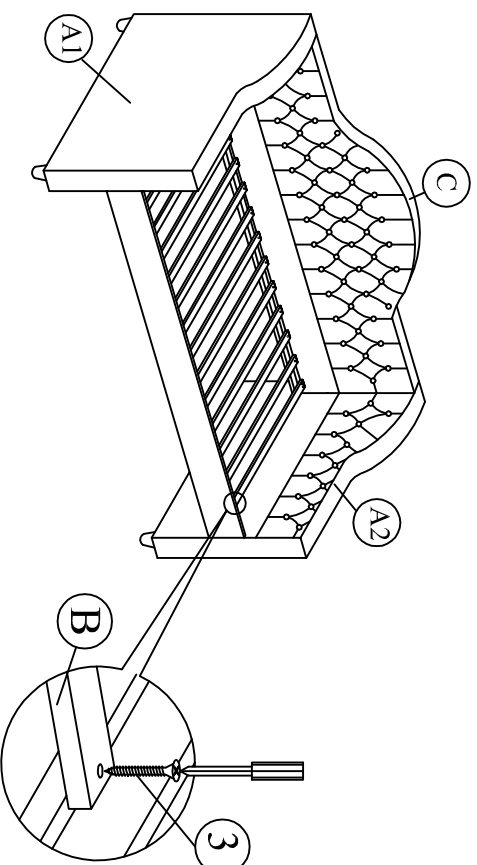


BACK VIEW

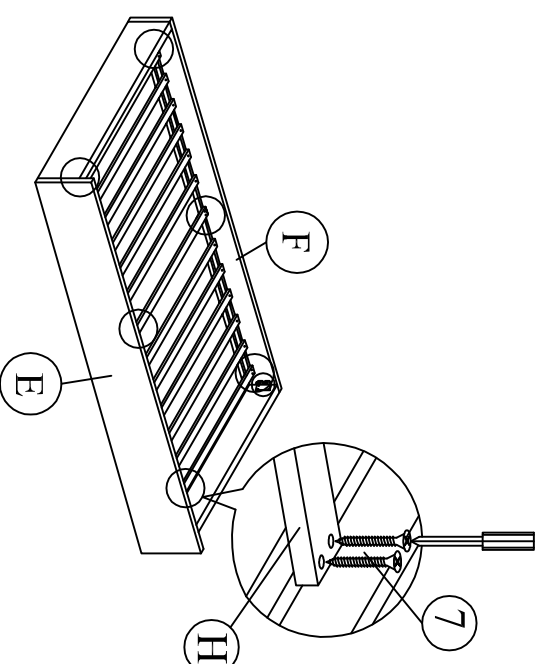
Step 3: Attach trundle side panel (G) and trundle front panel (E) to trundle back panel (F) by pushing the bracket down to fit it.



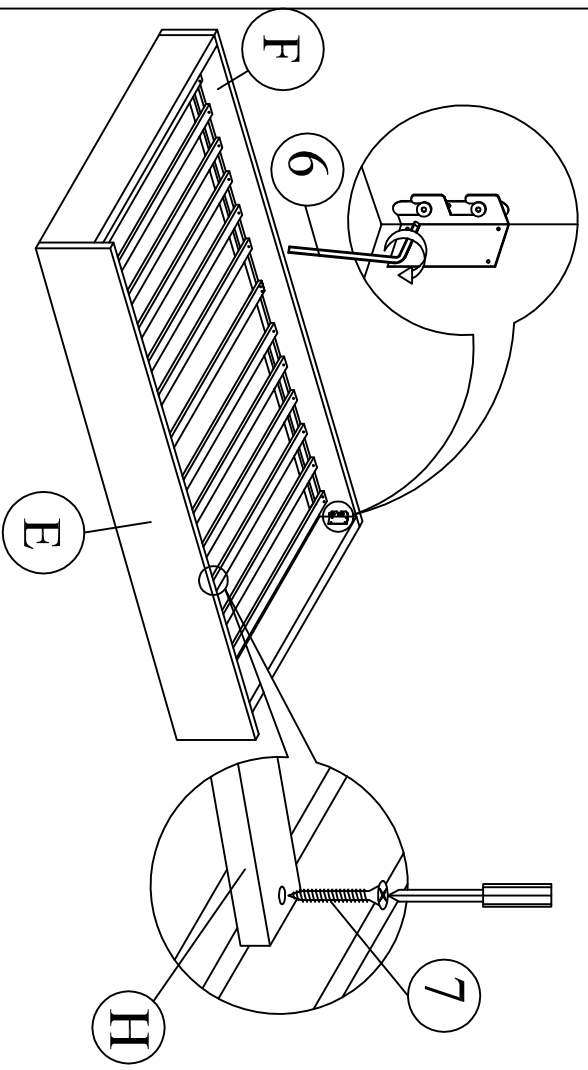
Step 2: Tighten the slats with CSK screw (3). The distance of the slats should be sufficient to obtain desirable bed stability.



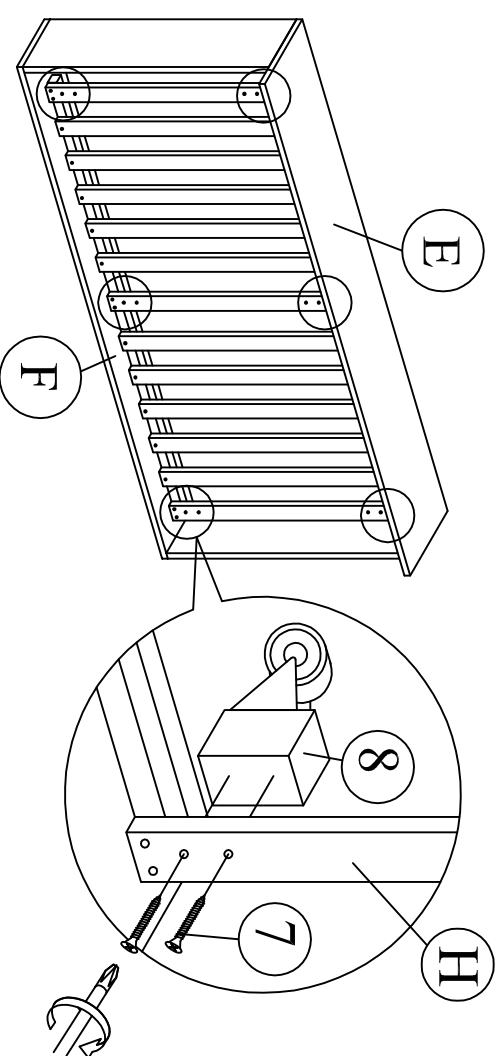
Step 4: Fix the slat (H) to the side rail at (E) & (F).



Step 5: Tighten the 4 Corner with Allen Key (3) and fix the slat (H) to the side rail at (E) & (F).



Step 5: Turn the trundle to another side as below diagram and tighten the roller with wooden (8) at the slat (H).



Step 6: Assembly is complete

