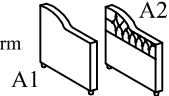
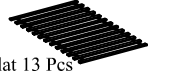

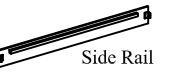

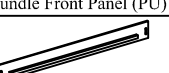
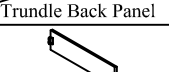

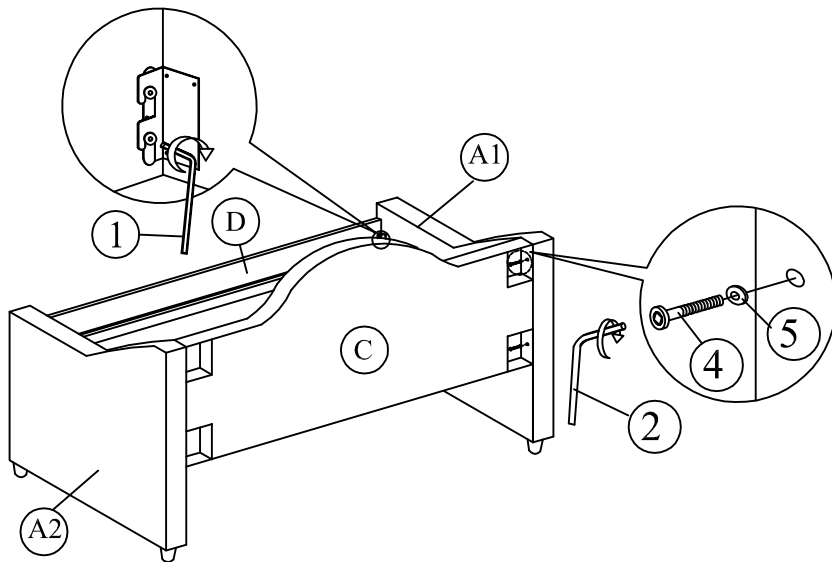


MODEL: CF 8940 TT (3')

ASSEMBLY INSTRUCTION

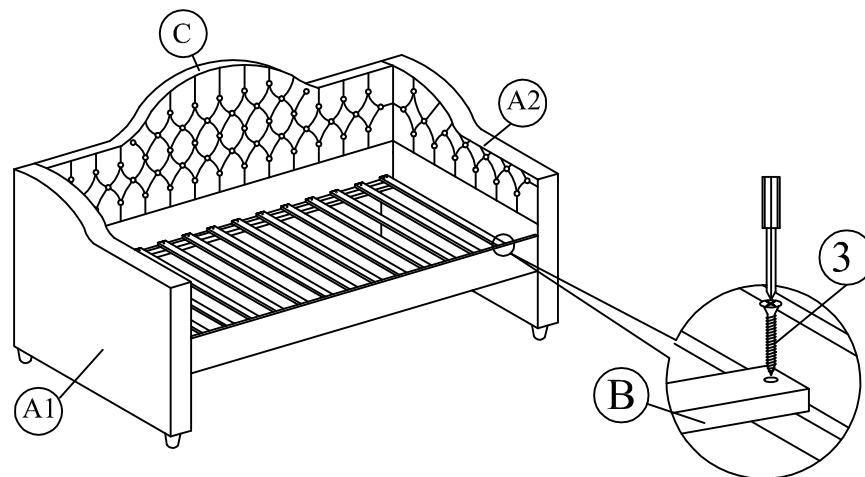
A	Arm A1		2 pcs
B	Slat 13 Pcs		1 pc
C	Back Panel		1 pc
D	Side Rail		1 pc
E	Trundle Front Panel (PU)		1 pc
F	Trundle Back Panel		1 pc
G	Trundle Side Panel		2 pcs
H	Slat 13 Pcs		1 pc

Step 1: Attach the back panel (C) to arm (A) . Attach side rail (D) to arm (A) by pushing the bracket down to fit it. Tighten the 4 corner with Allen Key (1)








BACK VIEW

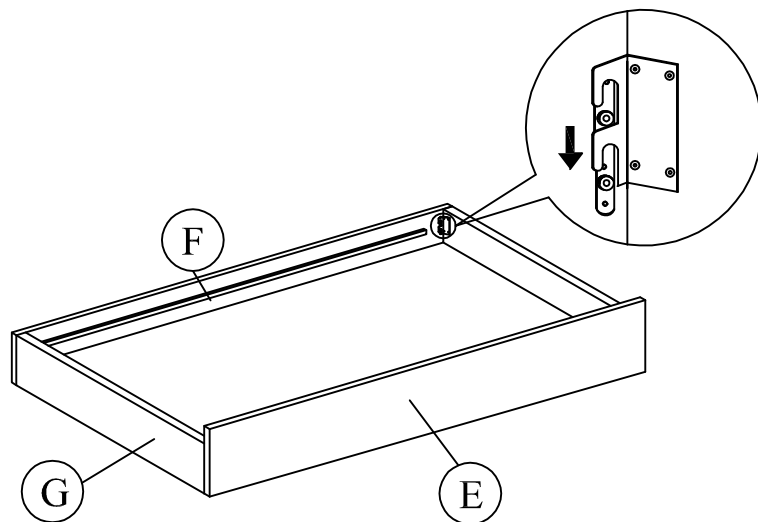
Step 2: Tighten the slats with CSK screw (3) . The distance of the slats should be sufficient to obtain desirable bed stability.






Packing Hardware (1)

1		M5 x 70 mm	1 pc
2		M5 x 65 mm	1 pc
3		CSK M4 x 32mm	32 pcs
4		JCBC M6 X 50	4 pcs
5		FLAT WASHER	4 pcs

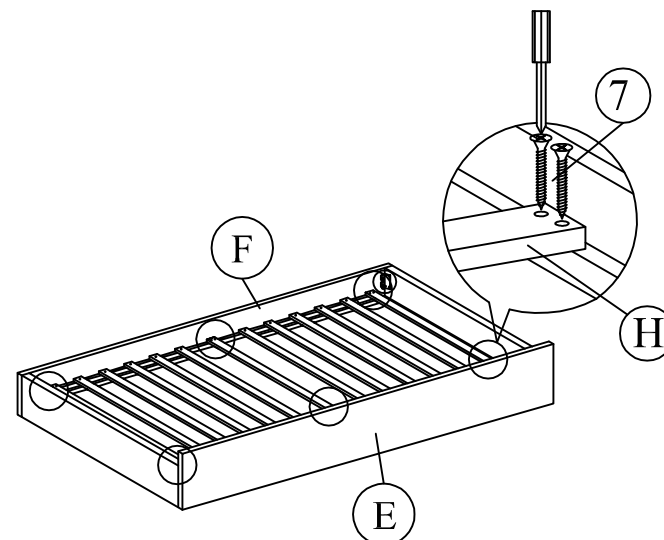
Step 3: Attach trundle side panel (G) and trundle front panel (E) to trundle back panel (F) by pushing the bracket down to fit it.



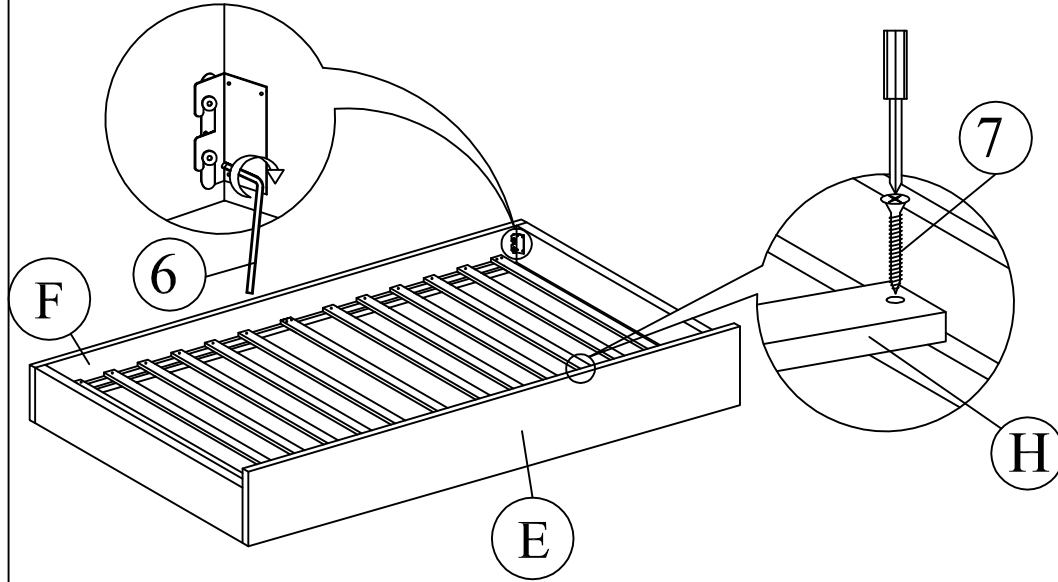
Packing Hardware (2)

6		M5 x 70 mm	1 pc
7		CSK M4 x 32 mm	44 pcs
8		Roller With Wooden	6 pcs

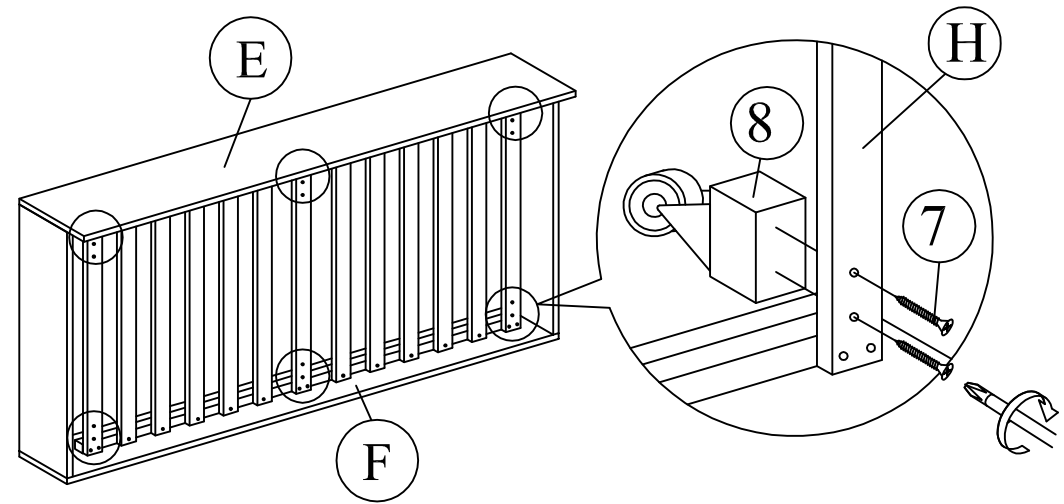
Step 4 : Fix the slat (H) to the side rail at (E) & (F) .



Step 5: Tighten the 4 Corner with Allen Key (3) and fix the slat (H) to the side rail at (E) & (F) .



Step 5: Turn the trundle to another side as below diagram and tighten the roller with wooden (8) at the slat (H) .



Step 6: Assembly is complete

