

ASSEMBLY INSTRUCTION

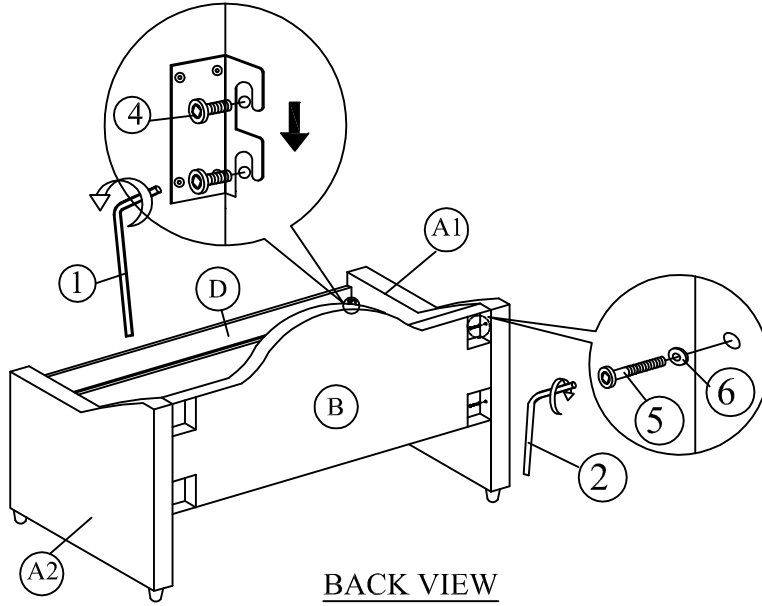
MODEL: CF 8940-B (4'6")

A		1 pc
B		1 pc
C		1 pc
D		1 pc
E		1 pc

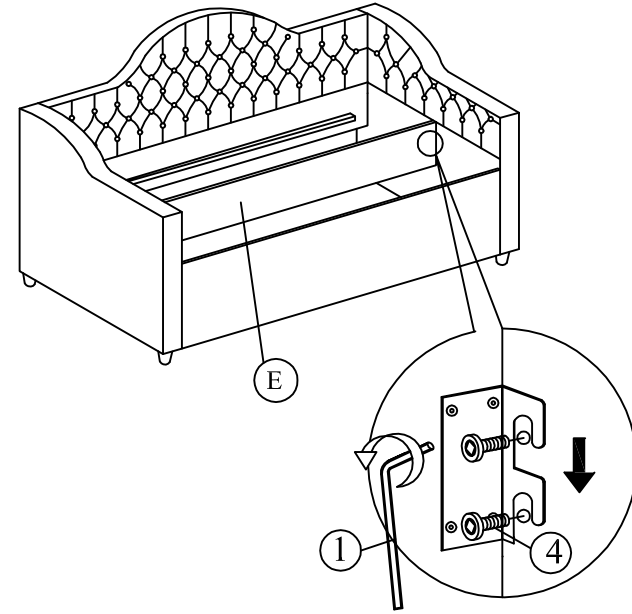
Packing Hardware

1		1 pc
2		1 pc
3		26 pcs
4		12 pcs
5		4 pcs
6		4 pcs

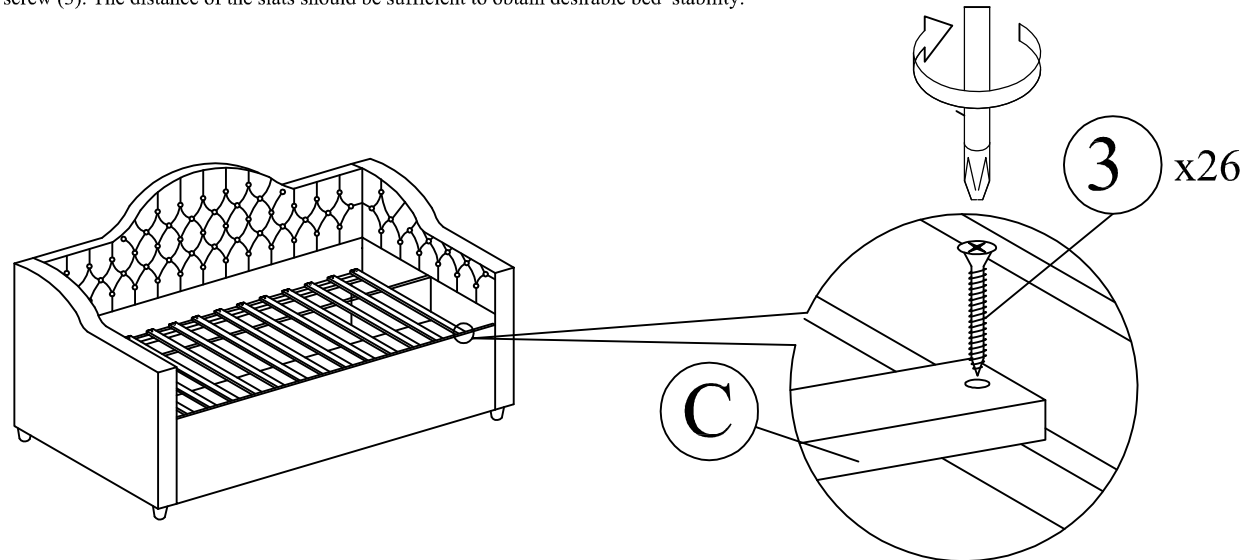
Step 1: Attach the back panel (B) to arm (A). Attach side rail (D) to arm (A) by pushing the bracket down to fit it. Tighten with Allen Key (1).



Step 2: Attach middle panel (E) to arm (A) by pushing the bracket down to fit it. Tighten with Allen Key (1).



Step 3: Tighten the slats with CSK screw (3). The distance of the slats should be sufficient to obtain desirable bed stability.



ASSEMBLY INSTRUCTION

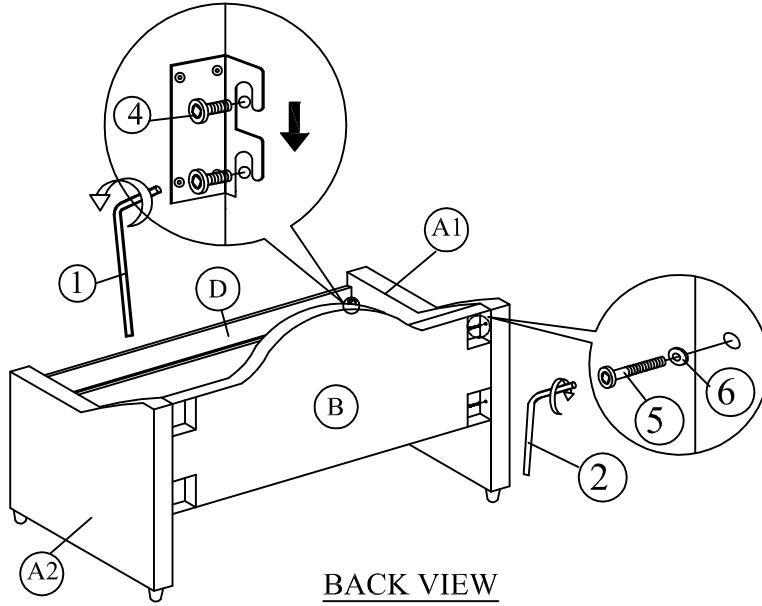
MODEL: CF 8940-B (5')

A		1 pc
B		1 pc
C		1 pc
D		1 pc
E		1 pc

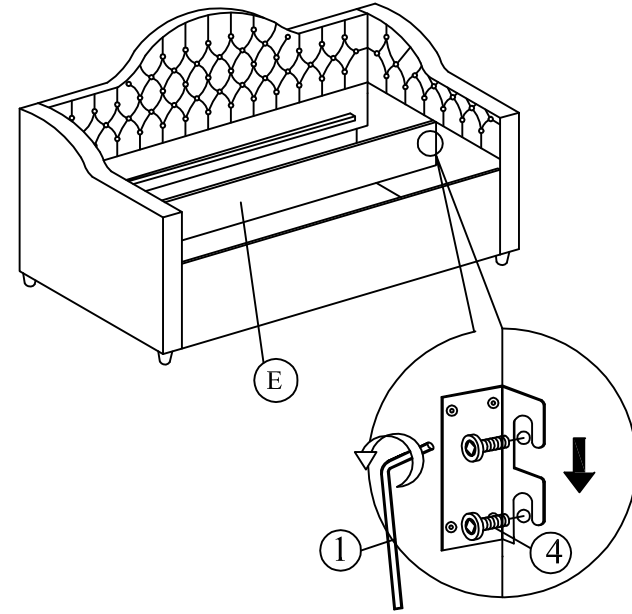
Packing Hardware

1		1 pc
2		1 pc
3		28 pcs
4		12 pcs
5		4 pcs
6		4 pcs

Step 1: Attach the back panel (B) to arm (A). Attach side rail (D) to arm (A) by pushing the bracket down to fit it. Tighten with Allen Key (1).



Step 2: Attach middle panel (E) to arm (A) by pushing the bracket down to fit it. Tighten with Allen Key (1).



Step 3: Tighten the slats with CSK screw (3). The distance of the slats should be sufficient to obtain desirable bed stability.

