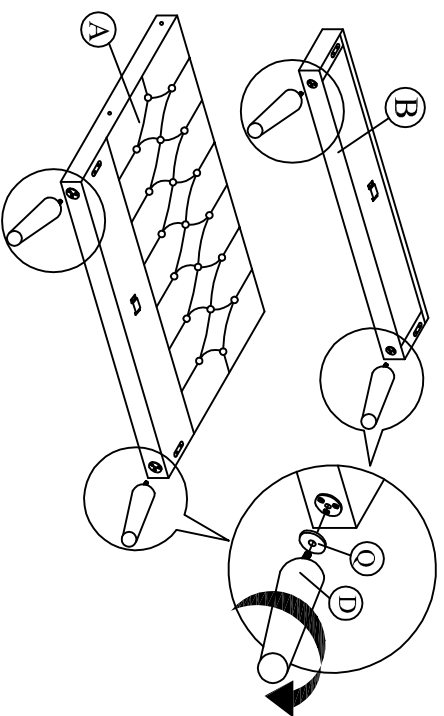


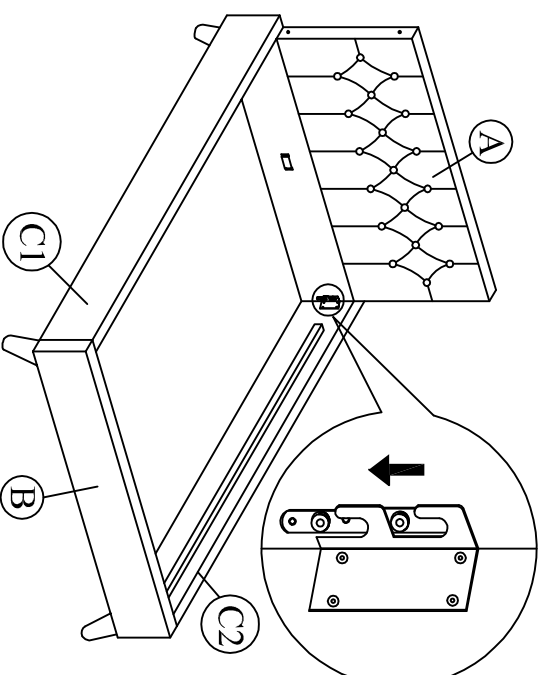
# ASSEMBLY INSTRUCTION

MODEL: CF 8862 (4'6")

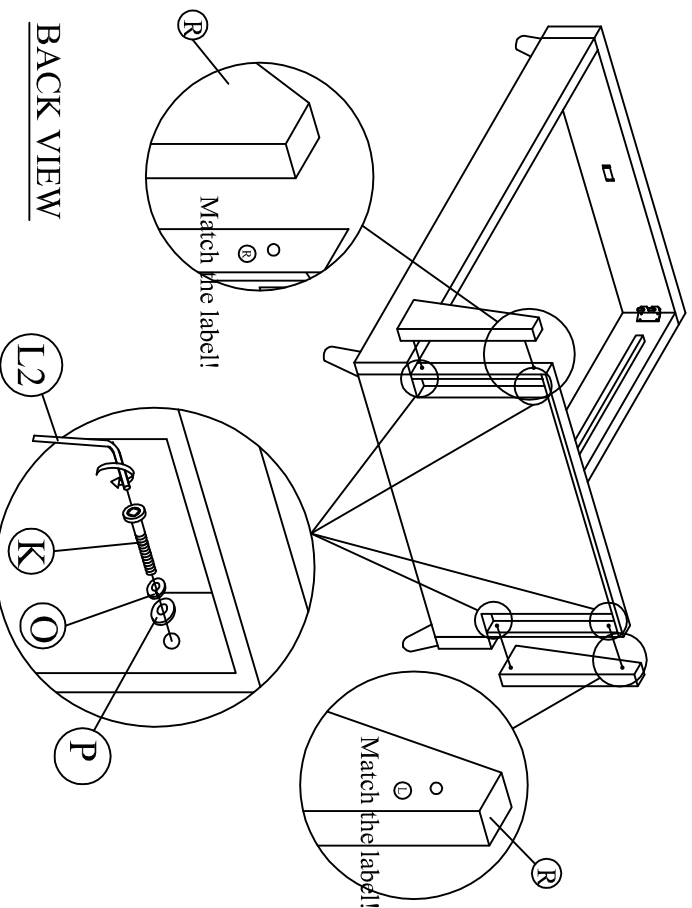
Step 1: Tighten the legs (D) to both headboard (A) and footboard (B) as shown.



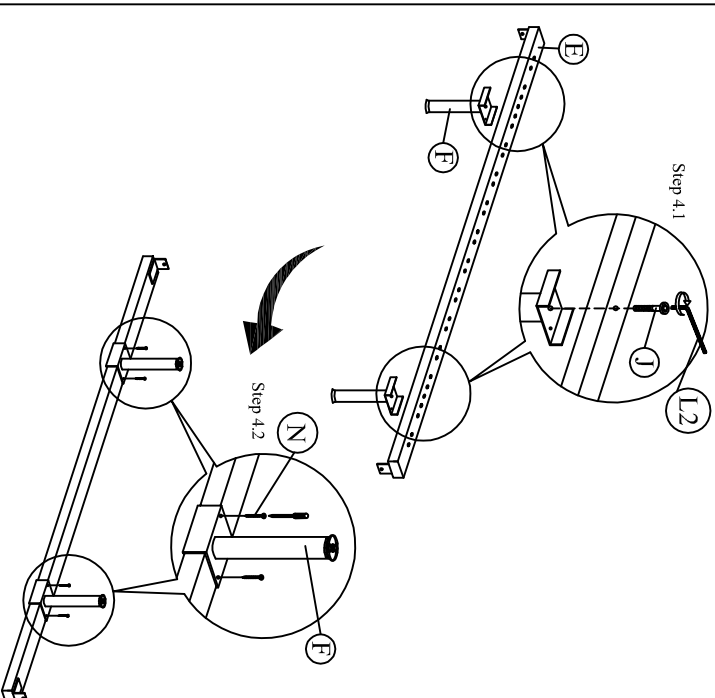
Step 2: Attach side rail (C) to headboard (A) and footboard (B) by pushing the bracket down to fit it.



Step 3: Tighten the side wing (R) to headboard (A) as shown.

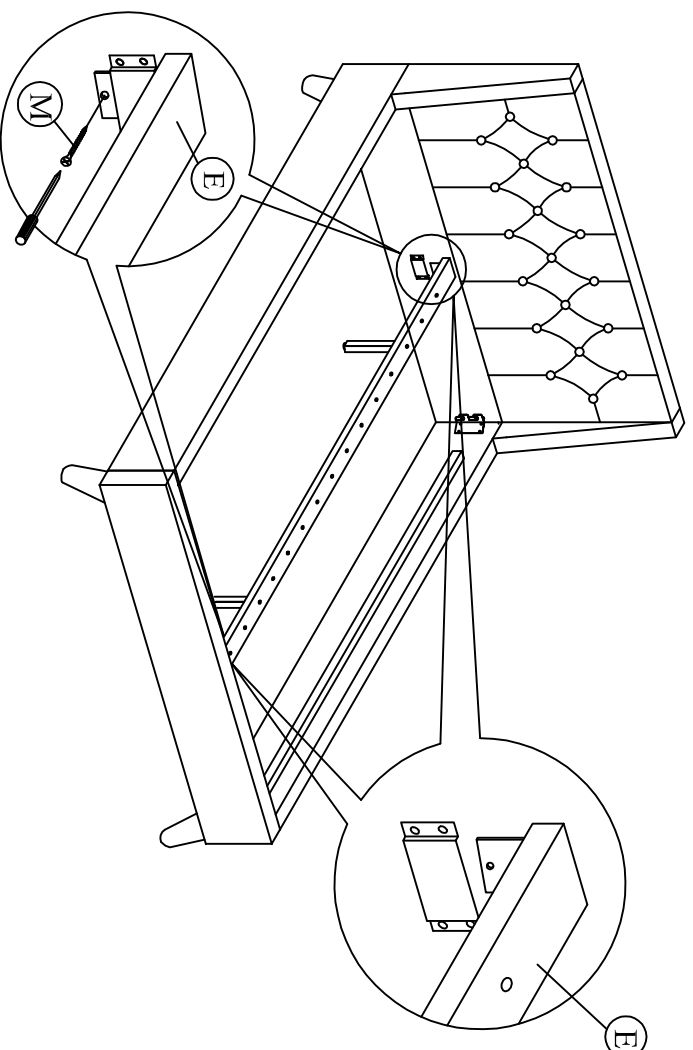


Step 4: Attach the support legs (F) to the center rail (E) of the bed as shown.



A		1 pc
B		1 pc
C		2 pcs
D		4 pcs
E		1 pc
F		2 pcs
G		26 pcs
H		13 pcs
I		26 pcs
J		2 pcs
K		4 pcs
L	 M5 x 70mm M4 x 65mm	1 pc
M		2 pcs
N		4 pcs
O		4 pcs
P		4 pcs
Q		4 pcs
R		2 pcs

Step 5: Slide the center rail (E) to the headboard (A) and footboard (B). Tighten screws (M) using screw driver (not included) to the headboard (A) and footboard (B).



Step 6: Tighten all the 4 corner ,follow by assembly of the slat holders with LVL slats as shown.

