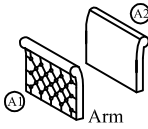
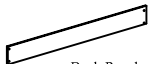
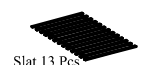





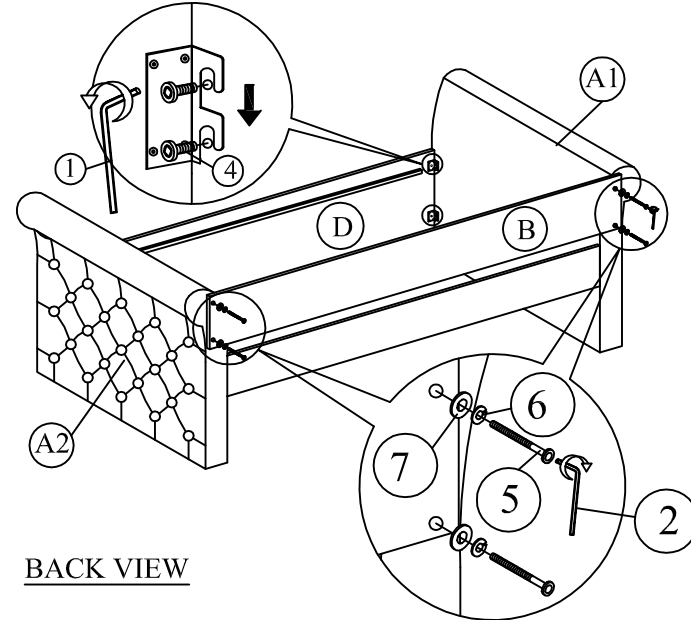
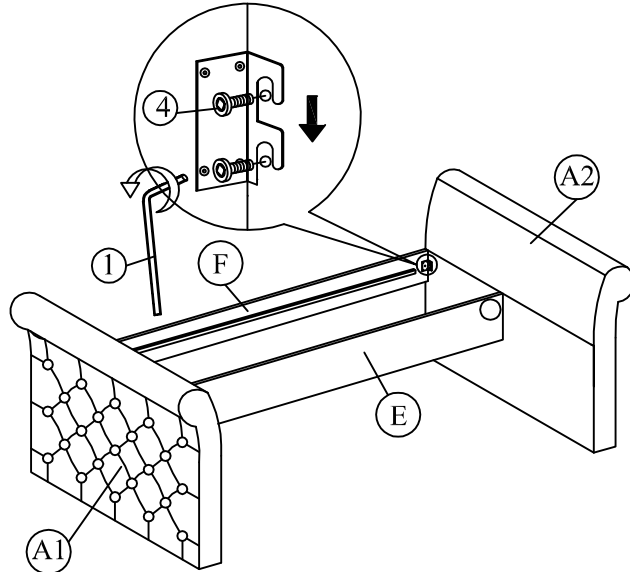
# ASSEMBLY INSTRUCTION

MODEL: CF 8825-C (4'6")

Step 1: Attach the back side rail (F) and middle panel (E) to arm (A) by pushing the bracket down to fit it. Tighten with Allen Key (1).








Step 2: Attach the back panel (B) to arm (A). Attach front side rail (D) to arm (A) by pushing the bracket down to fit it. Tighten with Allen Key (1).

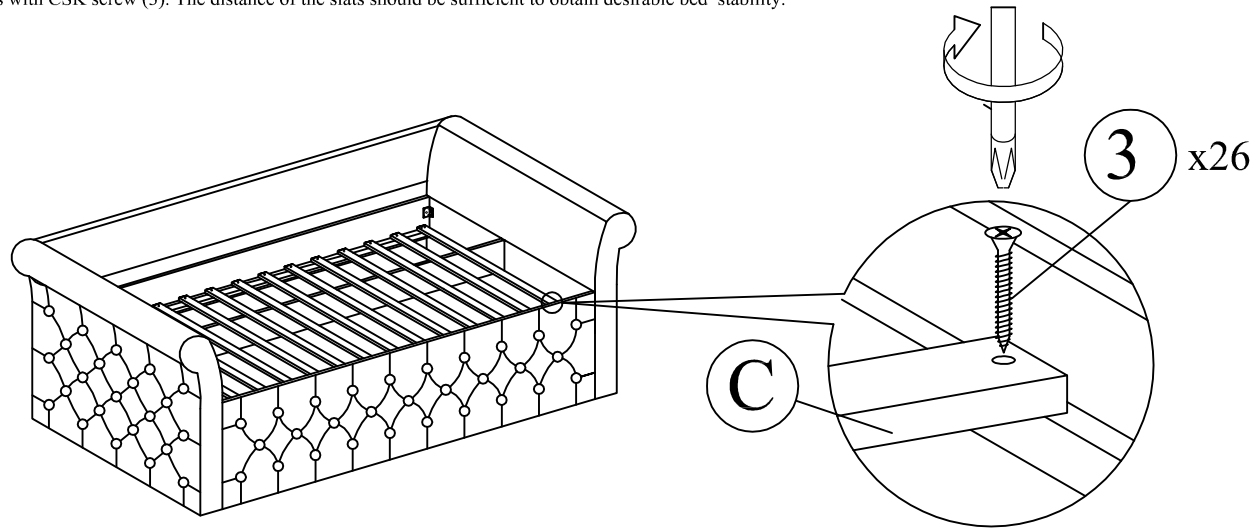
|   |   |      |
|---|---|------|
| A |  | 1 pc |
| B |  | 1 pc |
| C |  | 1 pc |
| D |  | 1 pc |
| E |  | 1 pc |
| F |  | 1 pc |



Packing Hardware

Step 3: Tighten the slats with CSK screw (3). The distance of the slats should be sufficient to obtain desirable bed stability.

|   |   |        |
|---|---|--------|
| 1 |    | 1 pc   |
| 2 |   | 1 pc   |
| 3 |  | 26 pcs |
| 4 |  | 16 pcs |
| 5 |  | 4 pcs  |
| 6 |  | 4 pcs  |
| 7 |  | 4 pcs  |

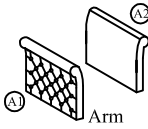
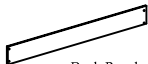
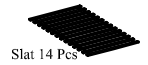





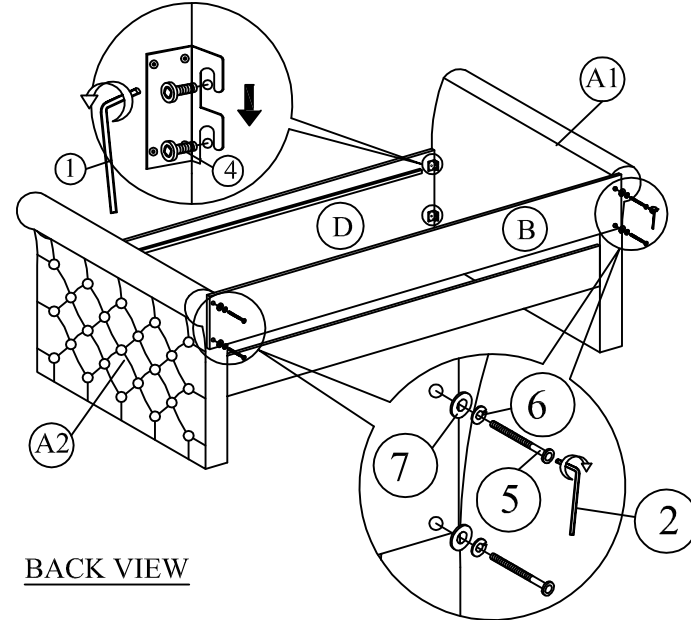
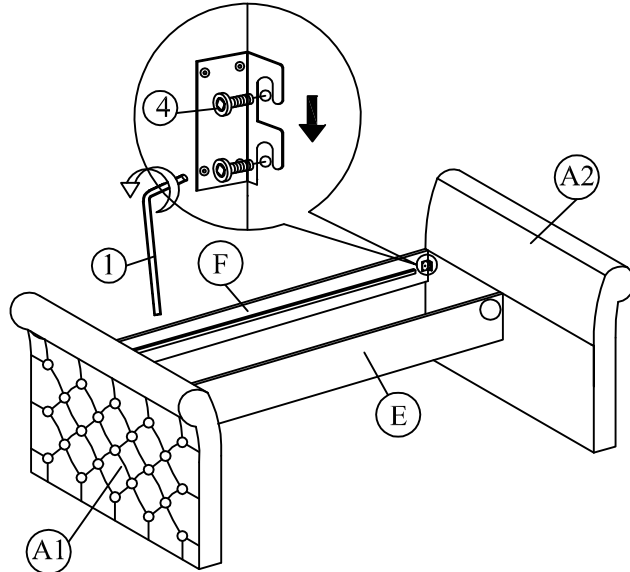
# ASSEMBLY INSTRUCTION

MODEL: CF 8825-C (5')

Step 1: Attach the back side rail (F) and middle panel (E) to arm (A) by pushing the bracket down to fit it. Tighten with Allen Key (1).








Step 2: Attach the back panel (B) to arm (A). Attach front side rail (D) to arm (A) by pushing the bracket down to fit it. Tighten with Allen Key (1).

|   |   |      |
|---|---|------|
| A |  | 1 pc |
| B |  | 1 pc |
| C |  | 1 pc |
| D |  | 1 pc |
| E |  | 1 pc |
| F |  | 1 pc |



**Packing Hardware**

Step 3: Tighten the slats with CSK screw (3). The distance of the slats should be sufficient to obtain desirable bed stability.

|   |   |        |
|---|---|--------|
| 1 |    | 1 pc   |
| 2 |   | 1 pc   |
| 3 |  | 28 pcs |
| 4 |  | 16 pcs |
| 5 |  | 4 pcs  |
| 6 |  | 4 pcs  |
| 7 |  | 4 pcs  |

