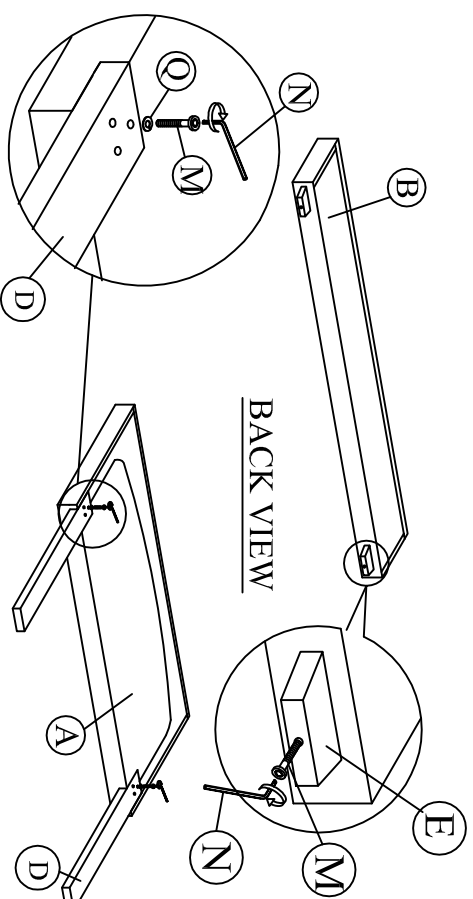


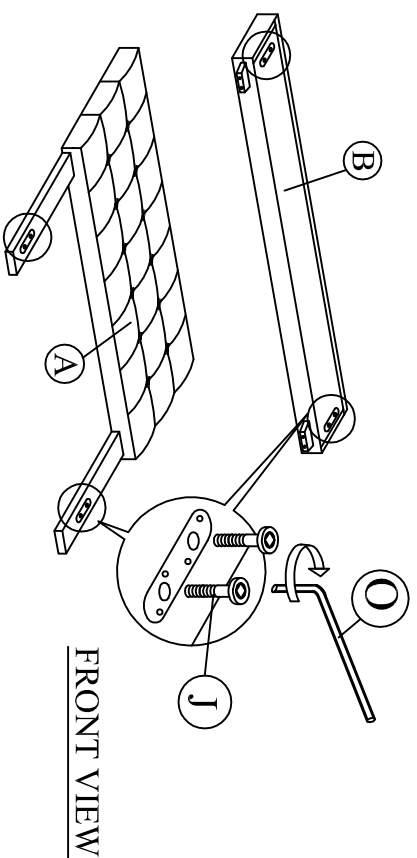
Model : CF 8747-B  
(3' TWIN)

# Assembly Instruction

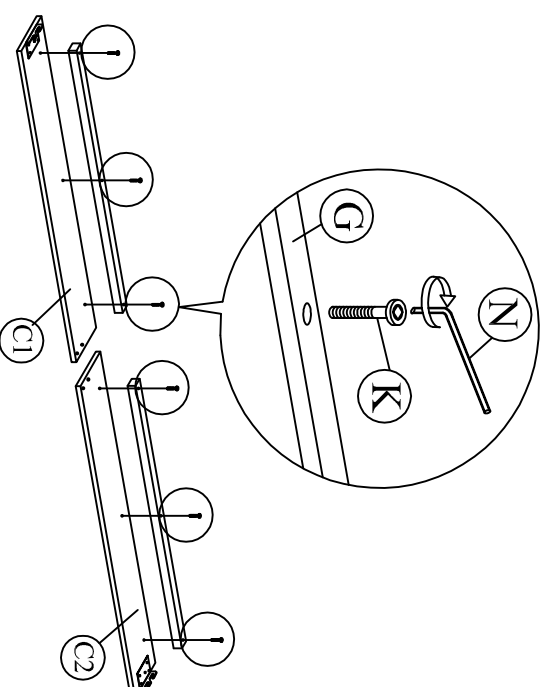
Step 1 : Fix the headboard and footboard with legs as shown



Step 2: Attach the JCBB Bolt (J) to the headboard bracket and footboard bracket .

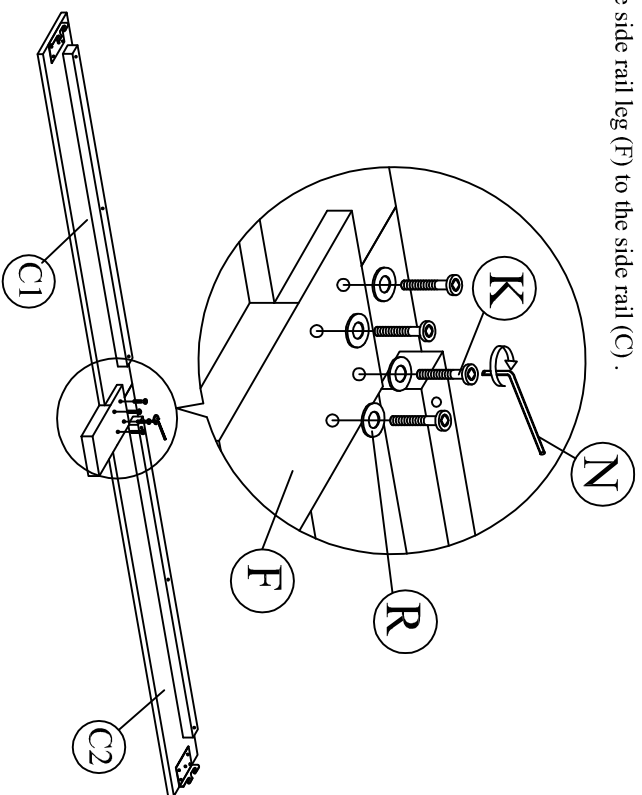


Step 3: Attach the side rail support wood (G) to the side rail (C) .

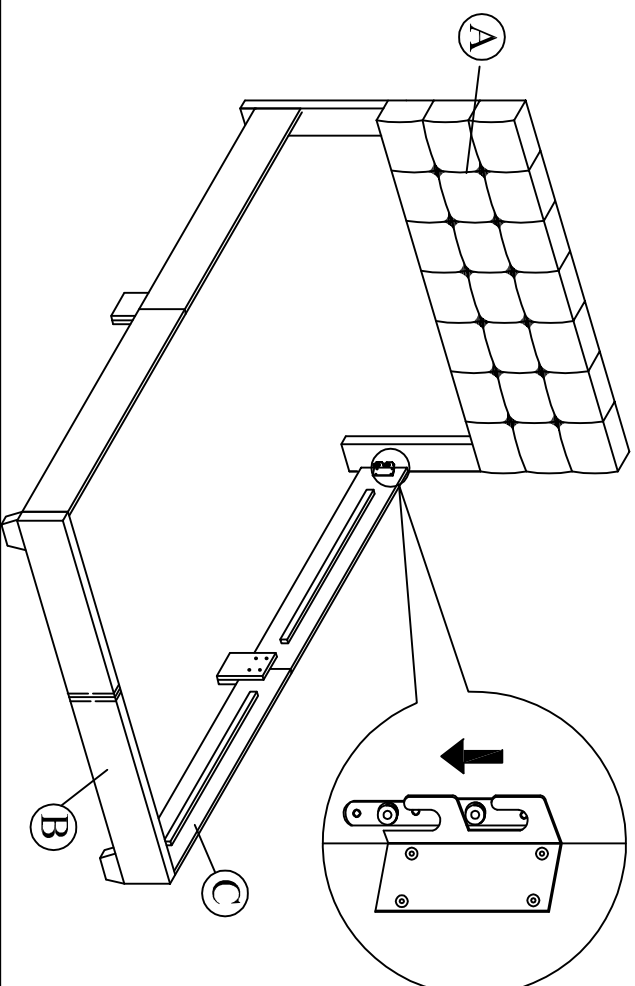


|   |                           |        |
|---|---------------------------|--------|
| A | Headboard                 | 1pc    |
| B | Footboard                 | 1pc    |
| C | Side Rail<br>C1<br>C2     | 4pcs   |
| D | Headboard<br>Legs         | 2pcs   |
| E | Footboard<br>Legs         | 2pcs   |
| F | Side Rail<br>Legs         | 2pcs   |
| G | Side Rail<br>Support Wood | 4pcs   |
| H | Slat                      | 4pcs   |
| I | Support Legs              | 4pcs   |
| J | JCBB M8 x16               | 8pcs   |
| K | JCBC M6 x 30              | 20 pcs |
| L | JCBC M6 x 35              | 4 pcs  |
| M | JCBC M6 x 30              | 8 pcs  |
| N | Allen Key 100mm           | 1pc    |
| O | Allen Key 70mm            | 1pc    |
| P | CSK Screw 22mm            | 8pcs   |
| Q | Spring Washers            | 6pcs   |
| R | Flat Washers              | 8pcs   |
| S | Adjuster                  | 4pcs   |

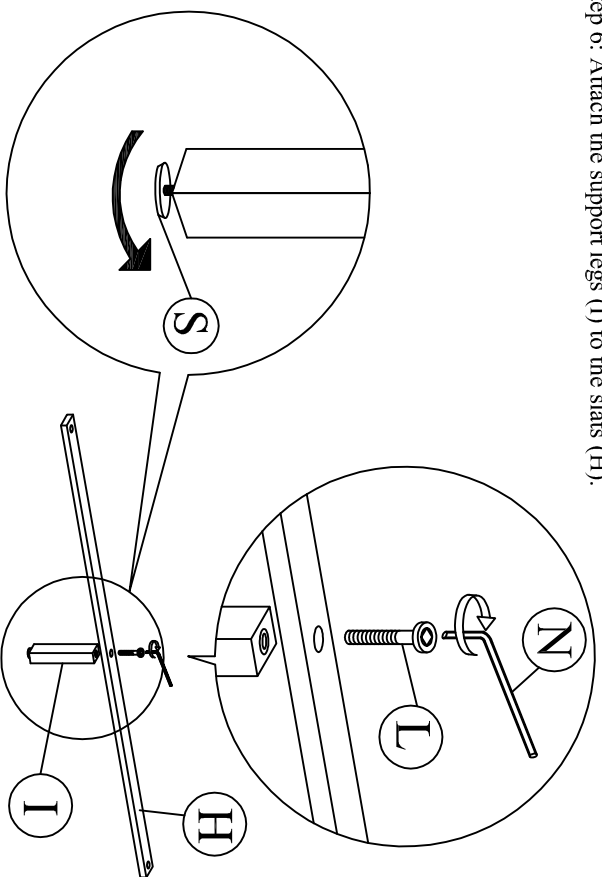
Step 4: Attach the side rail leg (F) to the side rail (C).



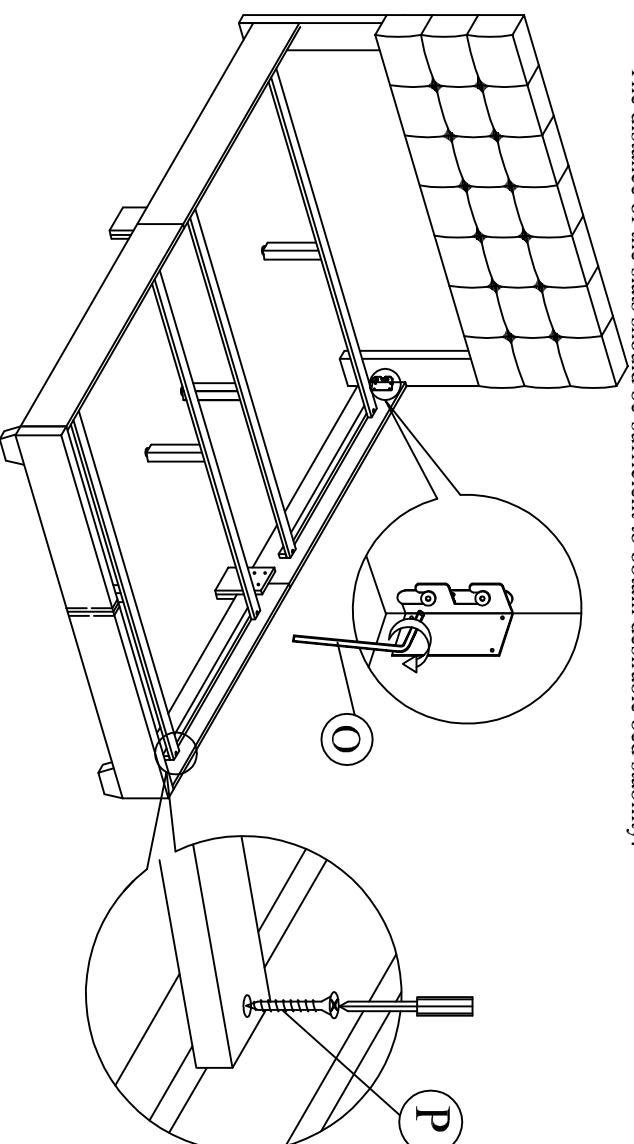
Step 5: Attach side rail (C) to headboard (A) and footboard (B) by pushing the bracket down to fit it.



Step 6: Attach the support legs (I) to the slats (H).



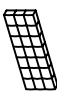







Step 7: Tighten the 4 Corner with Allen Key (O). Install the bed slats to side rail. Tighten the slats with CSK screw. The distance of the slats should be sufficient to obtain desirable bed stability.

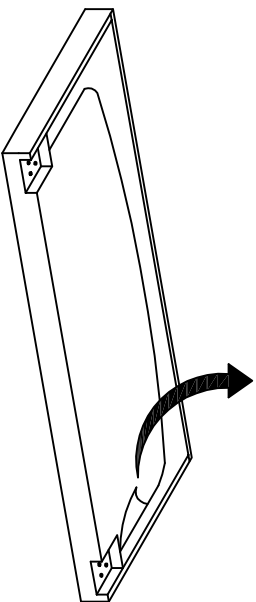


Model : CF 8747-B  
(4'6" Full & 5' Queen)

# Assembly Instruction

Step 1 : Unzip the black non-woven fabric on the back of headboard and take out all the parts out.

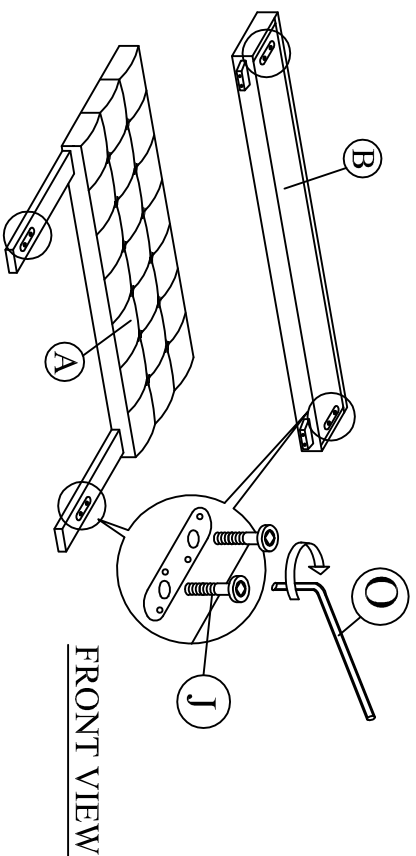
|   |   |                        |      |
|---|---|------------------------|------|
| A |  | Headboard              | 1pc  |
| B |  | Footboard              | 1pc  |
| C |  | Side Rail              | 4pcs |
| D |  | Headboard Legs         | 2pcs |
| E |  | Footboard Legs         | 2pcs |
| F |   | Side Rail Legs         | 2pcs |
| G |    | Side Rail Support Wood | 4pcs |
| H |    | Slat                   | 4pcs |



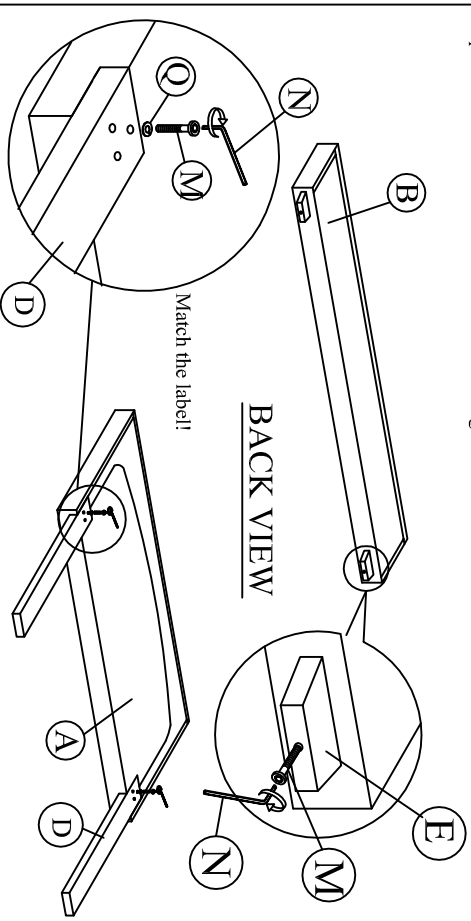
Attention: Zip the black non-woven fabric after take out the parts !!

BACK VIEW

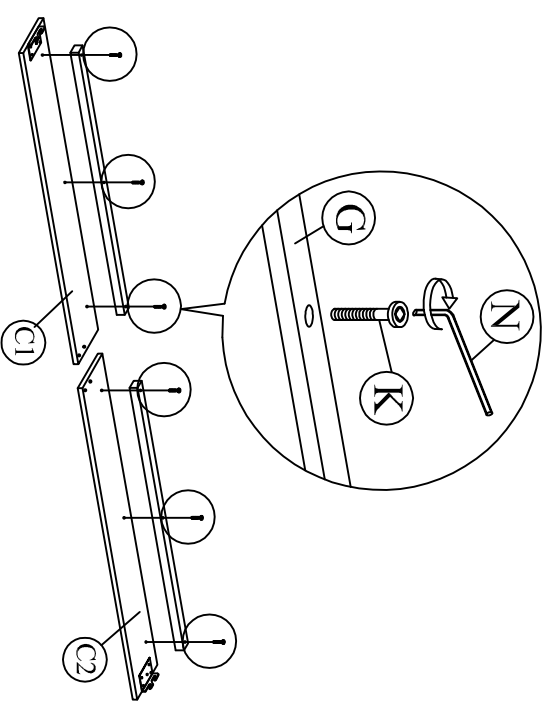
Step 3: Attach the JCBB Bolt (J) to the headboard bracket and footboard bracket .







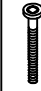
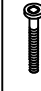

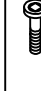
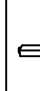


Step 2: Fix the headboard and footboard with legs as shown.

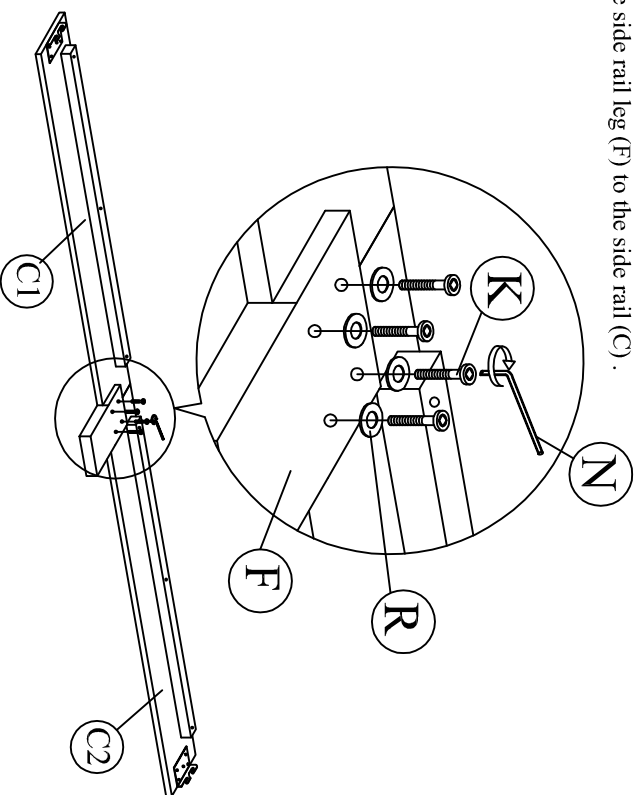


Step 4: Attach the side rail support wood (G) to the side rail (C) .

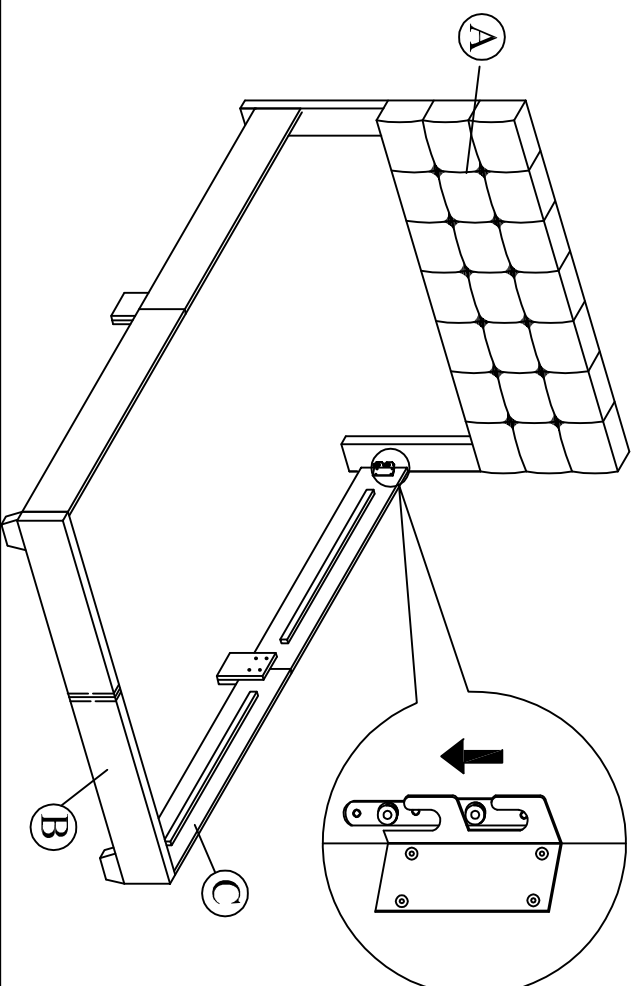


|   |   |                 |        |
|---|---|-----------------|--------|
| S |  | Adjuster        | 4pcs   |
| R |  | Flat Washers    | 8pcs   |
| Q |  | Spring Washers  | 6pcs   |
| P |  | CSK Screw 22mm  | 8pcs   |
| O |  | Allen Key 70mm  | 1pc    |
| N |  | Allen Key 100mm | 1pc    |
| M |  | JCBC M6 x 30    | 8 pcs  |
| L |  | JCBC M6 x 35    | 4 pcs  |
| K |  | JCBC M6 x 30    | 20 pcs |
| J |  | JCBB M8 x16     | 8pcs   |
| I |  | Support Legs    | 4pcs   |

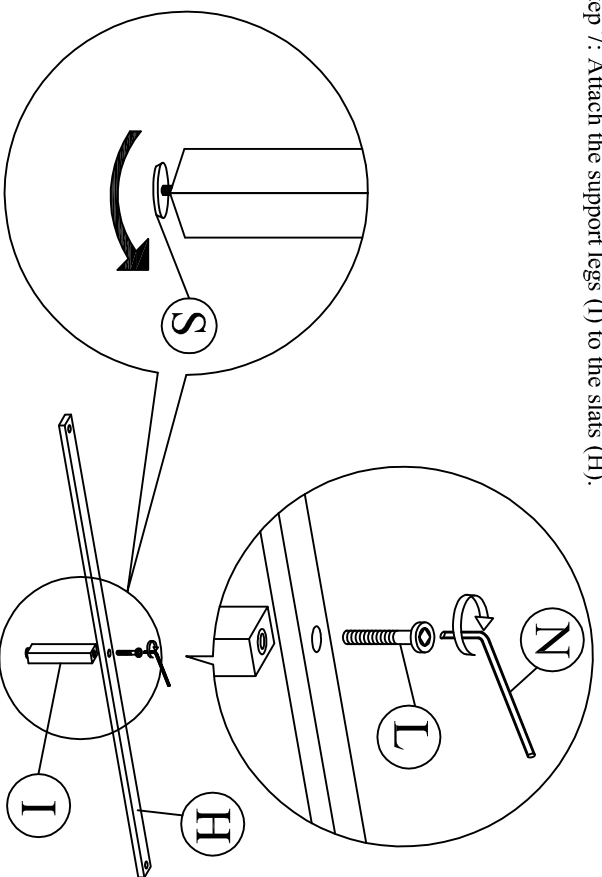
Step 5: Attach the side rail leg (F) to the side rail (C).



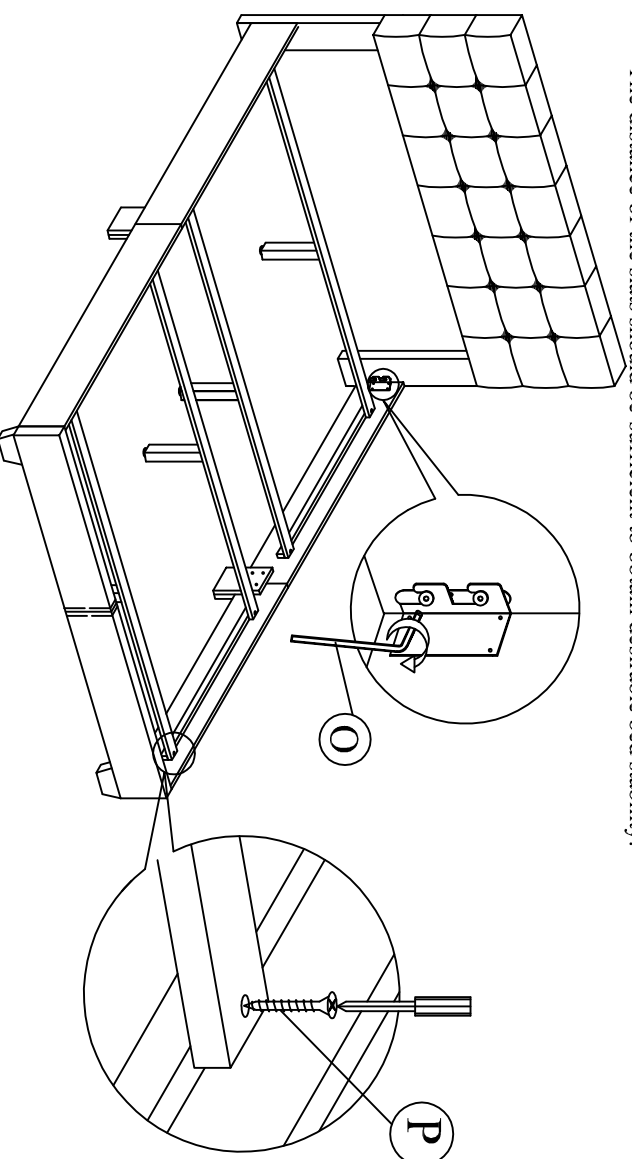
Step 6: Attach side rail (C) to headboard (A) and footboard (B) by pushing the bracket down to fit it.



Step 7: Attach the support legs (I) to the slats (H).



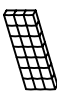







Step 8: Tighten the 4 Corner with Allen Key (O). Install the bed slats to side rail. Tighten the slats with CSK screw. The distance of the slats should be sufficient to obtain desirable bed stability.

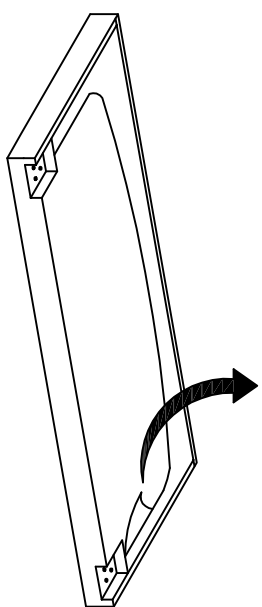


Model : CF 8747-B  
(6' King)

# Assembly Instruction

Step 1 : Unzip the black non-woven fabric on the back of headboard and take out all the parts out.

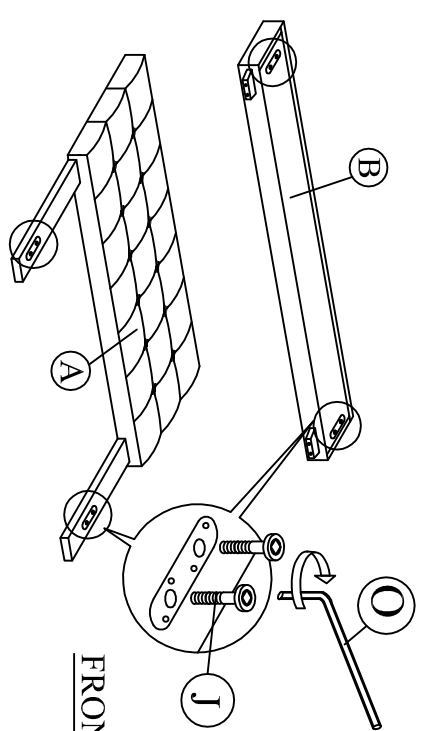
|   |   |                        |      |
|---|---|------------------------|------|
| A |  | Headboard              | 1pc  |
| B |  | Footboard              | 1pc  |
| C |  | Side Rail              | 4pcs |
| D |  | Headboard Legs         | 2pcs |
| E |  | Footboard Legs         | 2pcs |
| F |   | Side Rail Legs         | 2pcs |
| G |    | Side Rail Support Wood | 4pcs |
| H |    | Slat                   | 4pcs |



Attention: Zip the black non-woven fabric after take out the parts !!

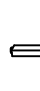










BACK VIEW

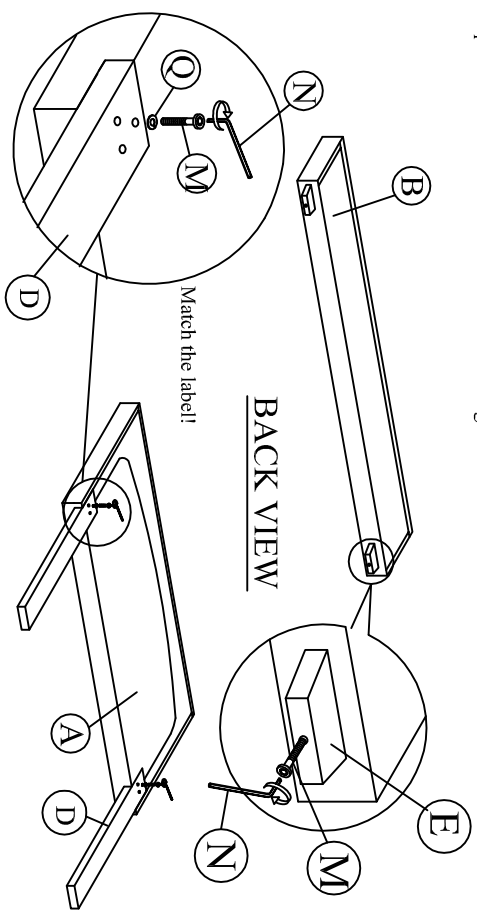
Step 3: Attach the JCBB Bolt (J) to the headboard bracket and footboard bracket .



FRONT VIEW

Step 2: Fix the headboard and footboard with legs as shown.

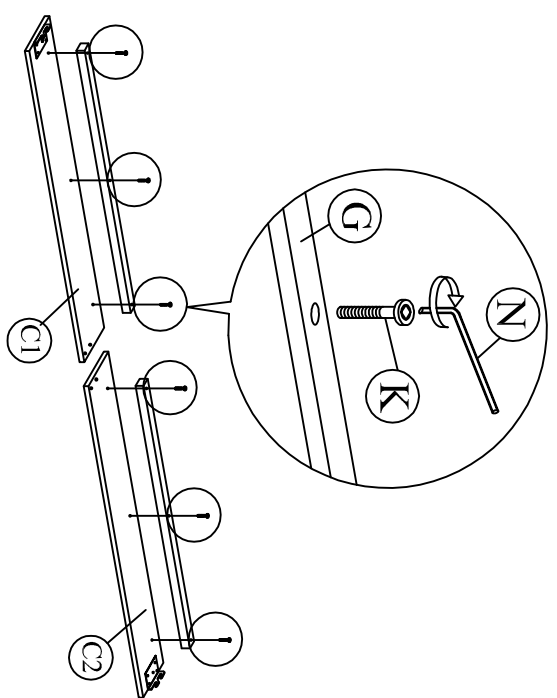
|   |   |                 |        |
|---|---|-----------------|--------|
| I |  | Support Legs    | 8pcs   |
| J |  | JCBB M8 x16     | 8pcs   |
| K |  | JCBC M6 x 30    | 20 pcs |
| L |  | JCBC M6 x 35    | 8 pcs  |
| M |  | JCBC M6 x 30    | 8 pcs  |
| N |  | Allen Key 100mm | 1pc    |
| O |  | Allen Key 70mm  | 1pc    |
| P |  | CSK Screw 22mm  | 8pcs   |
| Q |  | Spring Washers  | 6pcs   |
| R |  | Flat Washers    | 8pcs   |
| S |  | Adjuster        | 8pcs   |



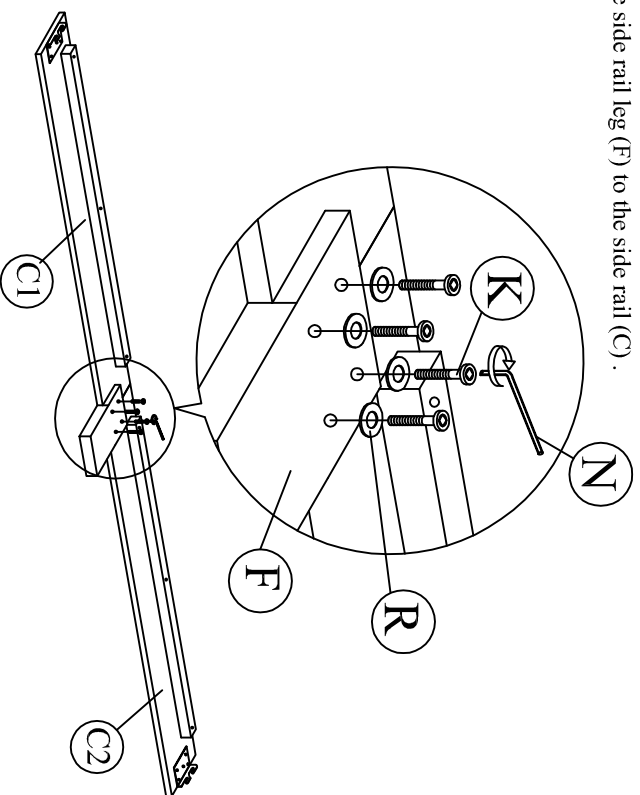
BACK VIEW

Match the label!

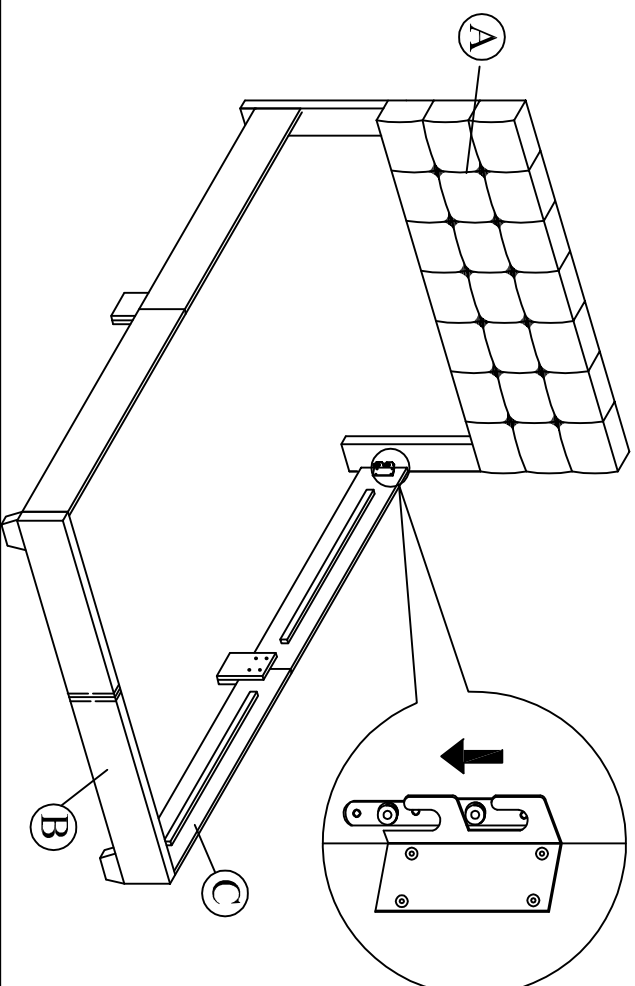
Step 4: Attach the side rail support wood (G) to the side rail (C) .



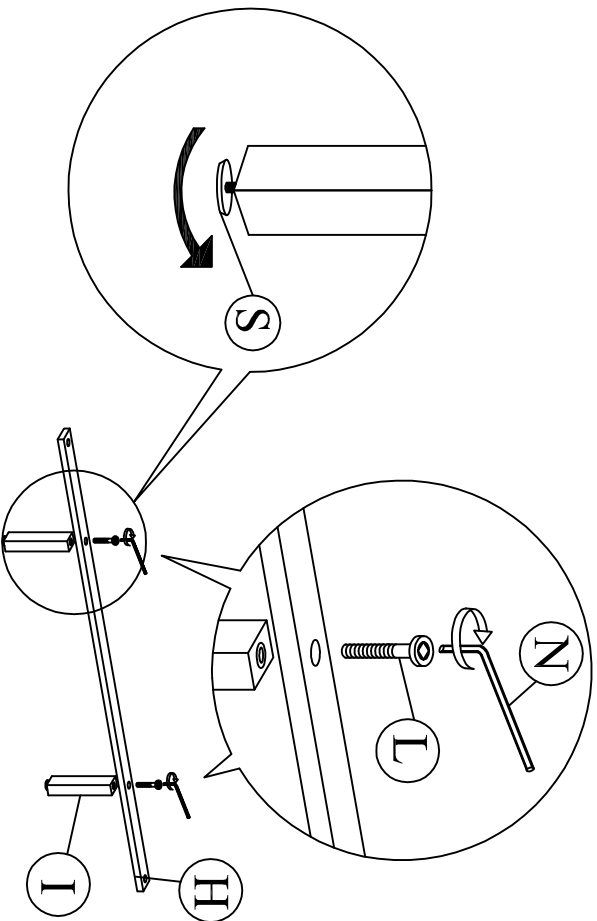
Step 5: Attach the side rail leg (F) to the side rail (C).



Step 6: Attach side rail (C) to headboard (A) and footboard (B) by pushing the bracket down to fit it.



Step 7: Attach the support legs (I) to the slats (H).



Step 8: Tighten the 4 Corner with Allen Key (O). Install the bed slats to side rail. Tighten the slats with CSK screw. The distance of the slats should be sufficient to obtain desirable bed stability.

