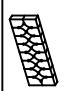










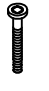




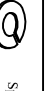
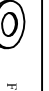
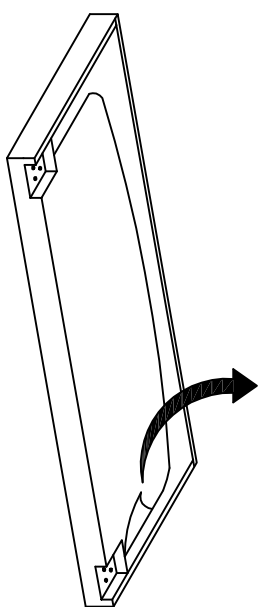


Model : CF 8747-1
(6' King)

Assembly Instruction

A		1pc
B		1pc
C		4pcs
D		2pcs
E		2pcs
F		2pcs
G		4pcs
H		4pcs
I		8pcs
J		8pcs
K		12 pcs
L		16 pcs
M		8 pcs
N		1pc
O		1pc
P		8pcs
Q		6pcs
R		8pcs

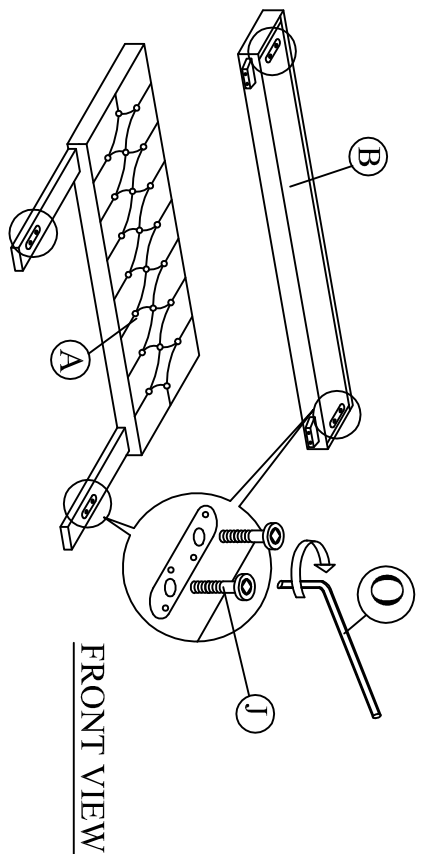
Step 1 : Unzip the black non-woven fabric on the back of headboard and take out all the parts out.



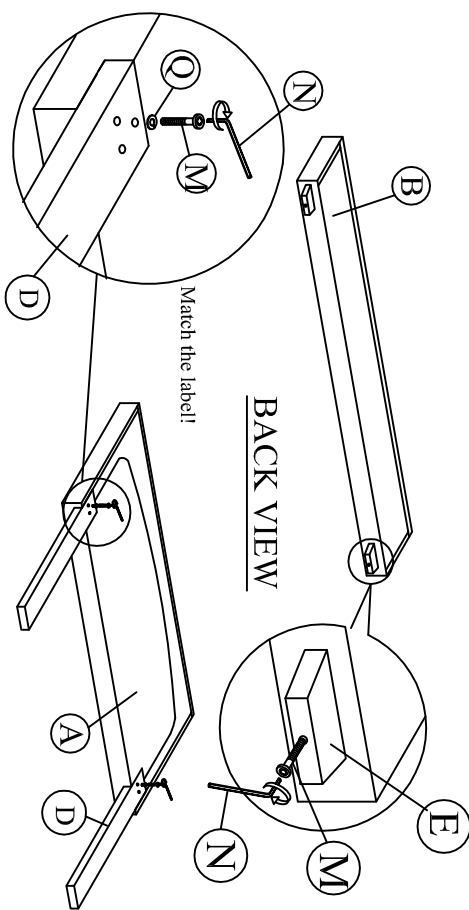
Attention : Zip the black non-woven fabric after take out the parts !!

BACK VIEW

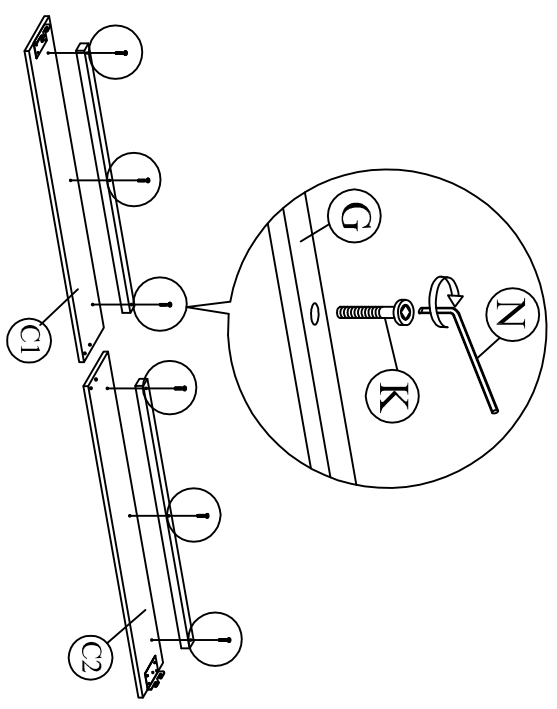
Step 3: Attach the JCBB Bolt (J) to the headboard bracket and footboard bracket .



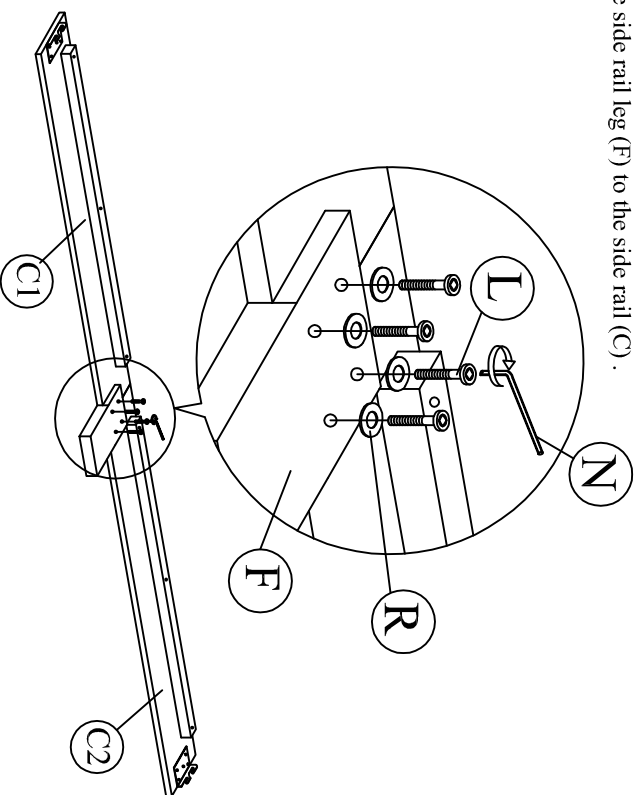
Step 2: Fix the headboard and footboard with legs as shown.



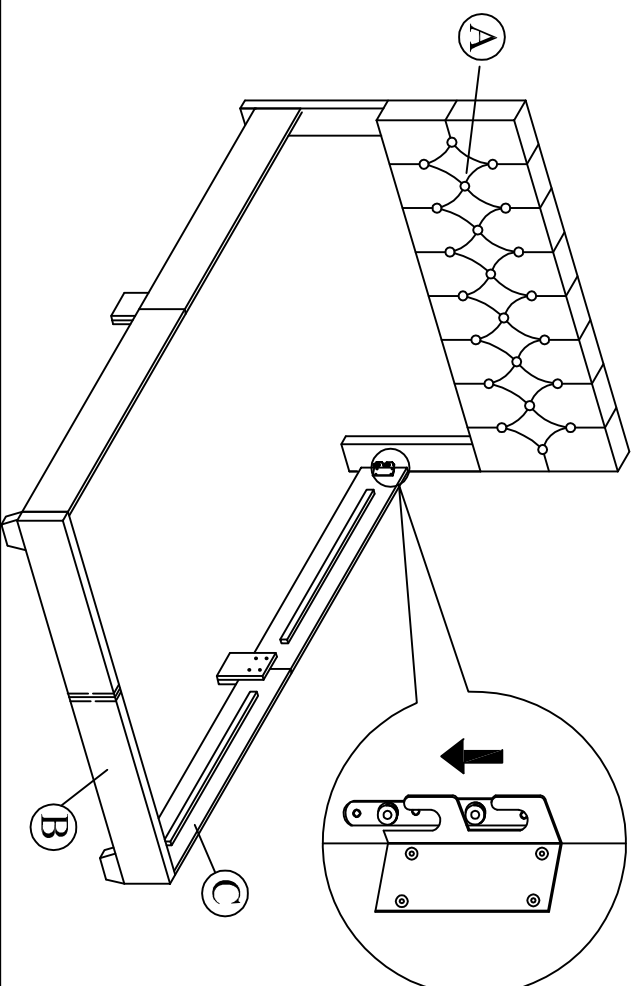
Step 4: Attach the side rail support wood (G) to the side rail (C) .



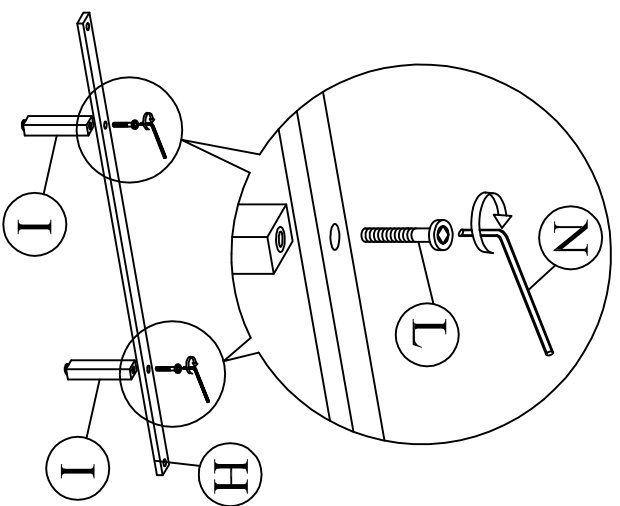
Step 5: Attach the side rail leg (F) to the side rail (C).



Step 6: Attach side rail (C) to headboard (A) and footboard (B) by pushing the bracket down to fit it.



Step 7: Attach the support legs (I) to the slats (H).



Step 4: Tighten the 4 Corner with Allen Key (O). Install the bed slats to side rail. Tighten the slats with CSK screw. The distance of the slats should be sufficient to obtain desirable bed stability.

