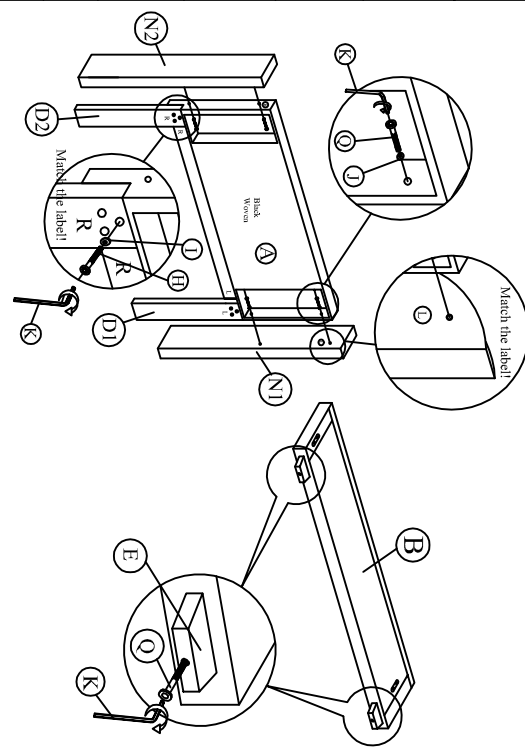


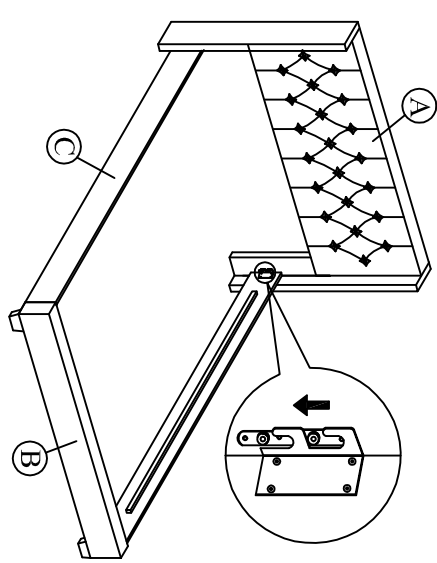
Model : CF 8611  
(3' Twin / 46" Full / 5' Queen)

## Assembly Instruction

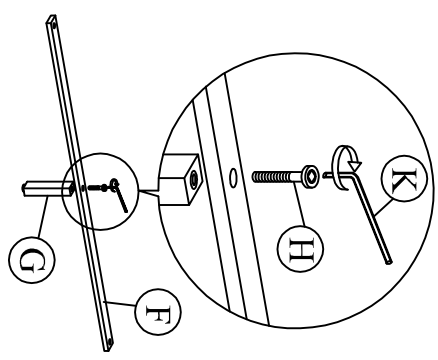
Step 1: Fix the side wing & headboard and footboard with legs as shown. Please follow the label to identify the correct legs to be fixed.



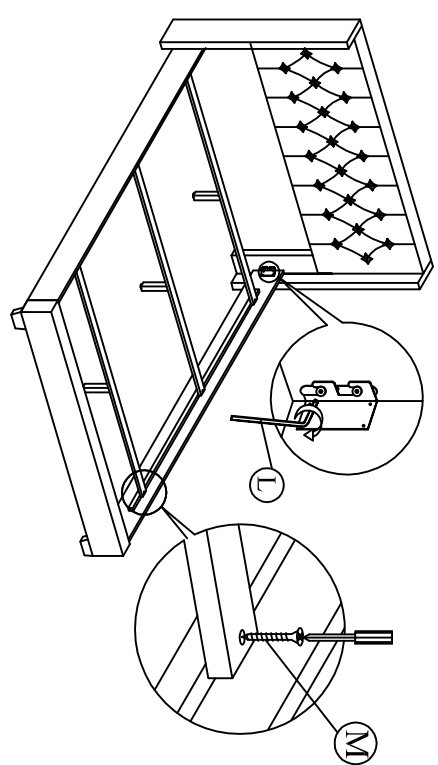
Step 2: Attach Side Rail (C) to Headboard (A) and Footboard (B) by pushing the bracket down to fit.



Step 3: Attach the support legs (G) to the slats (F).



Step 4: Put the slat into the bed frame and tighten the 4 corner with Allen key (L). Before tightening the CSK screw (M) to the side rail support. Make sure there is no gap between slat and the side rail.



A	Footboard	1 pc
B	Footboard	1 pc
C	Side Rail	2 pcs
D	Headboard Legs D1 <sup>L</sup> D2 <sup>R</sup>	2 pcs
E	Footboard Legs	2 pcs
F	Slat	3 pcs
G	Support Leg	3 pcs
H	JCRC M6 X 40	9 pcs
I	Spring Washer	6 pcs
J	Flat Washer	4 pcs
K	M4 x 100mm	1 pc
L	M5 x 70mm	1 pc
M	CSK M4 x 32mm	6 pcs
N	Side Wing N1 N2	2 pcs
O	CSK M4 x 16 mm	4 pcs
P	Angle Bracket	2 pcs
Q	JCRC M6 X 30	6 pcs

Step 5 : Affix the angle bracket (O) to both the headboard leg (D) & side wing (N) with screw driver (not provided) as shown .

