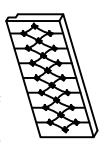




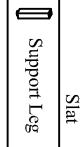
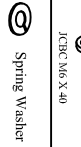
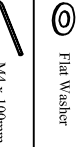
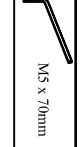

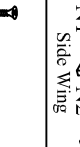






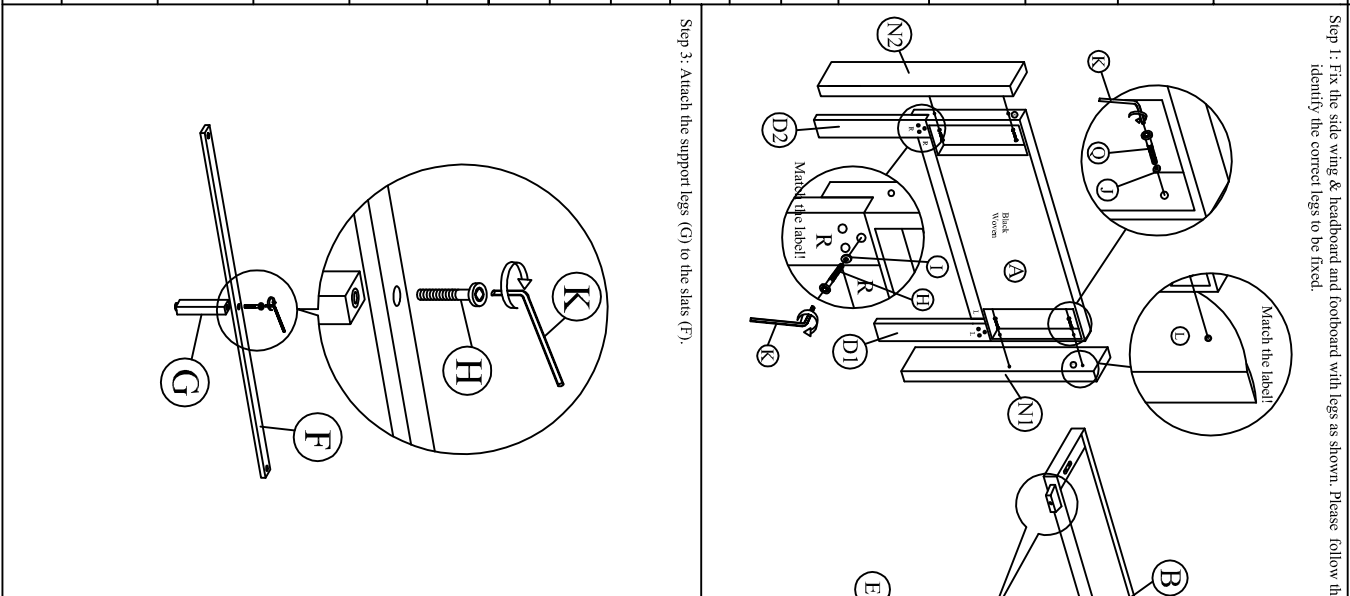


Model : CF 8611
(3' Twin / 4'6" Full / 5' Queen)

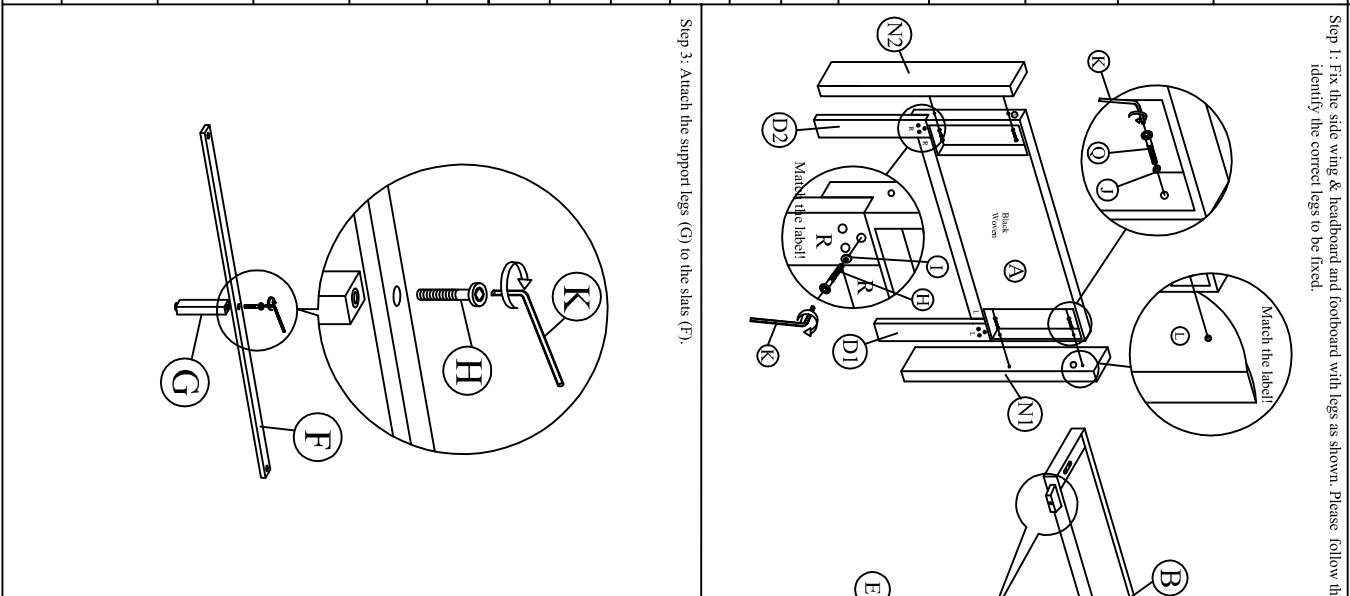
Assembly Instruction

A		1 pc
B		1 pc
C		2 pcs
D		2 pcs
E		2 pcs
F		3 pcs
G		3 pcs
H		9 pcs
I		6 pcs
J		4 pcs
K		1 pc
L		1 pc
M		6 pcs
N		2 pcs
O		4 pcs
P		2 pcs
Q		6 pcs

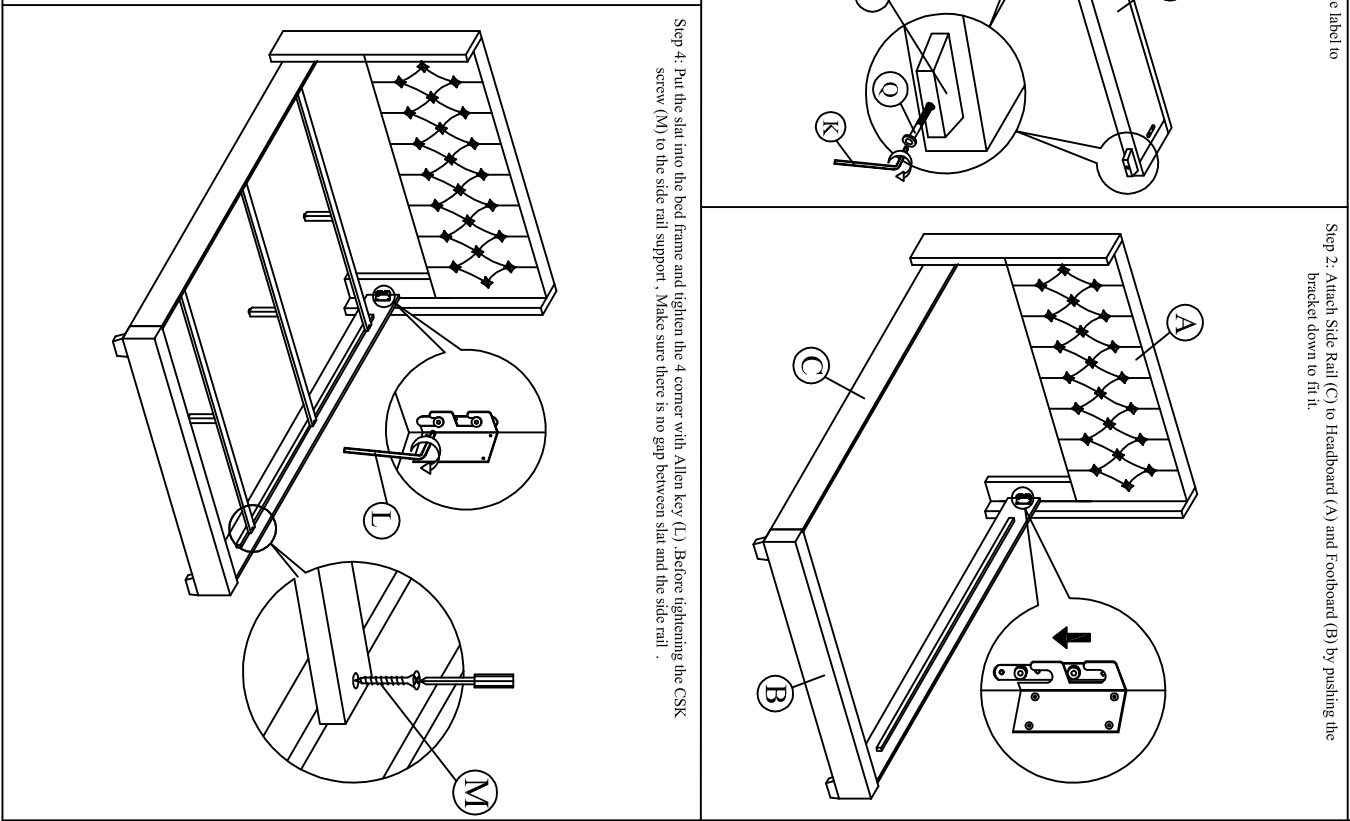
Step 1: Fix the side wing & headboard and footboard with legs as shown. Please follow the label to identify the correct legs to be fixed.



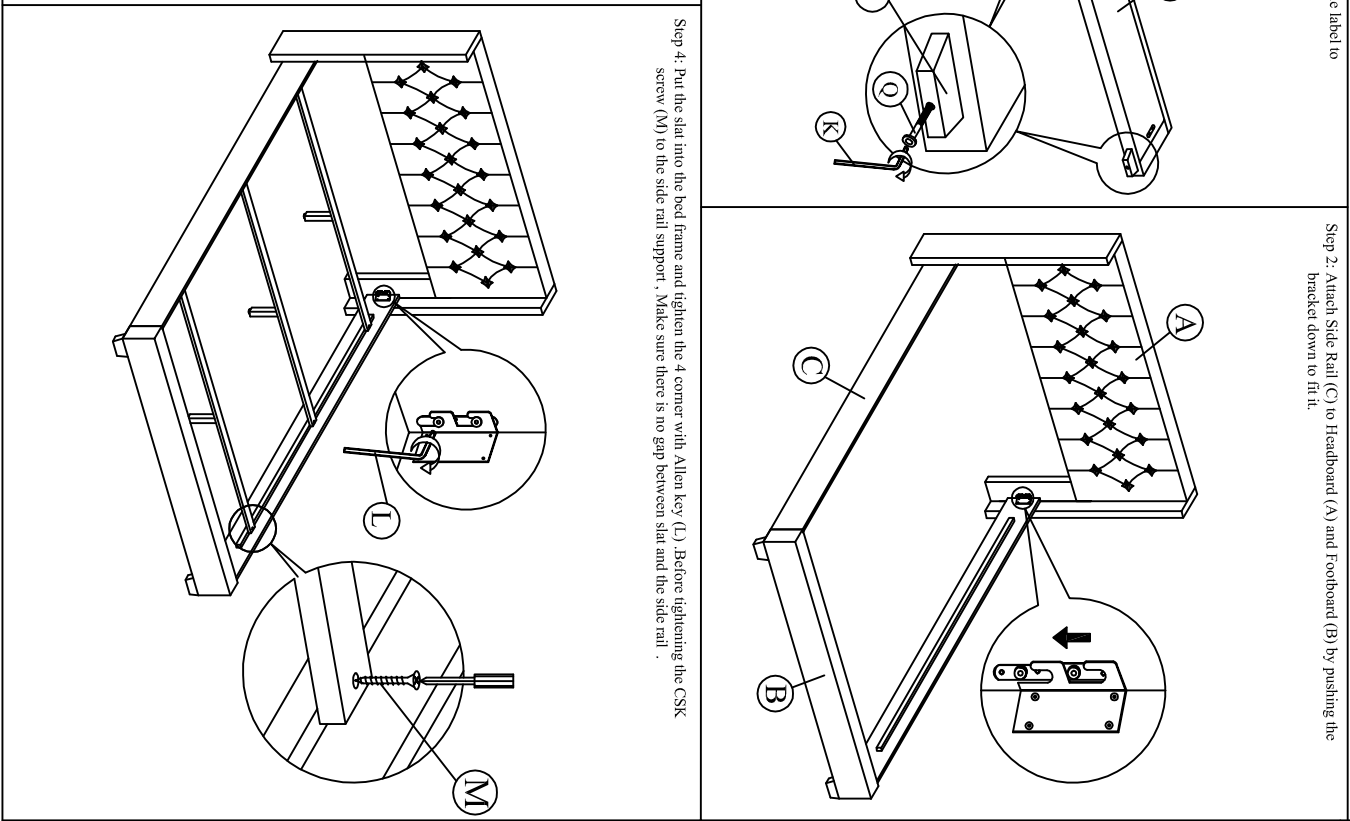
Step 3: Attach the support legs (G) to the slats (F).



Step 2: Attach Side Rail (C) to Headboard (A) and Footboard (B) by pushing the bracket down to fit it.



Step 4: Put the slat into the bed frame and tighten the 4 corner with Allen key (L). Before tightening the CSK screw (M) to the side rail support. Make sure there is no gap between slat and the side rail.



Step 5 : Affix the angle bracket (O) to both the headboard leg (D) & side wing (N) with screw driver (not provided) as shown .

