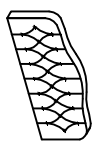


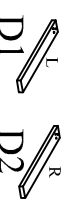




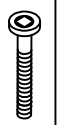


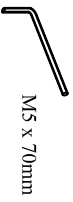

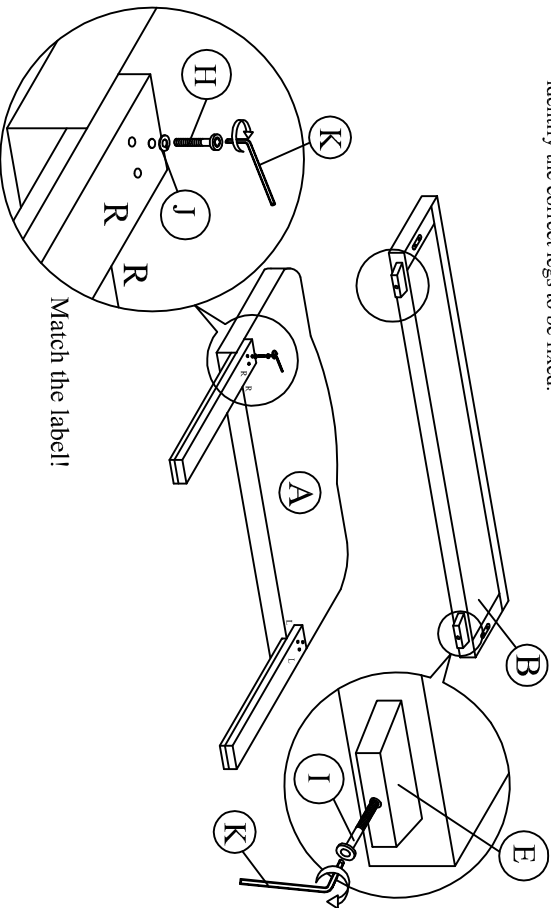


Model : CF 8609
(6'4" King / 6' Cal King)

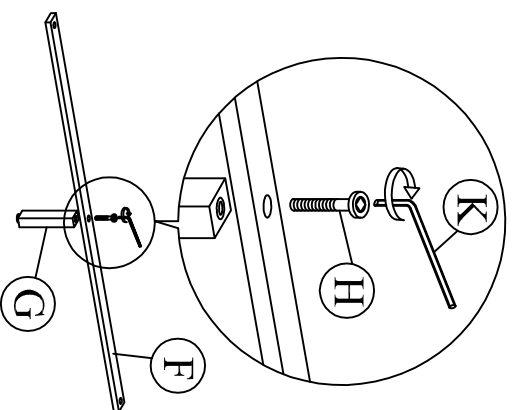
Assembly Instruction

A		1 pc
B		1 pc
C		2 pcs
D		2 pcs
E		2 pcs
F		5 pcs
G		5 pcs
H		11 pcs
I		2 pcs
J		6 pcs
K		1 pc
L		1 pc
M		10 pcs

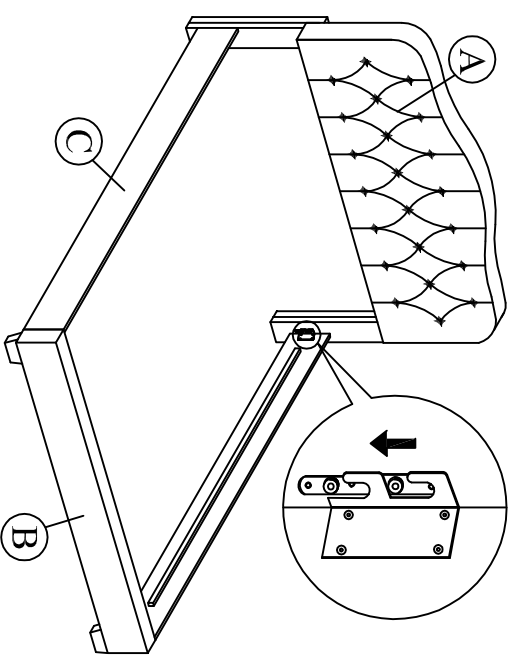
Step 1 : Fix the headboard and footboard with legs as shown. Please follow the label to identify the correct legs to be fixed.



Step 3: Attach the support legs (F) to the slats (G).



Step 2: Attach Side Rail (C) to Headboard (A) and Footboard (B) by pushing the bracket down to fit it.



Step 4: Tighten the 4 Corner with Allen Key (L). Install the bed slats to side rail. Tighten the slats with CSK screw. The distance of the slats should be sufficient to obtain desirable bed stability.

