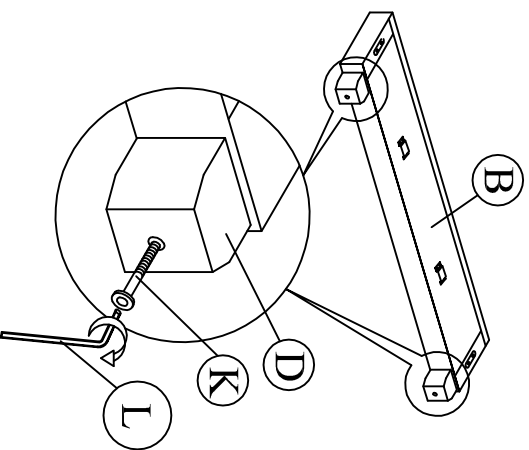


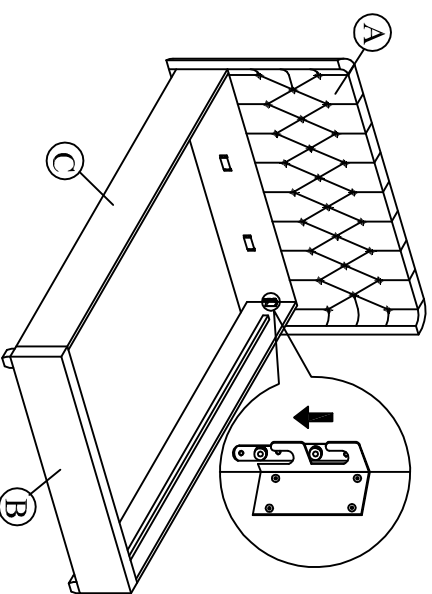
# ASSEMBLY INSTRUCTION

MODEL: CF 8565 (6)

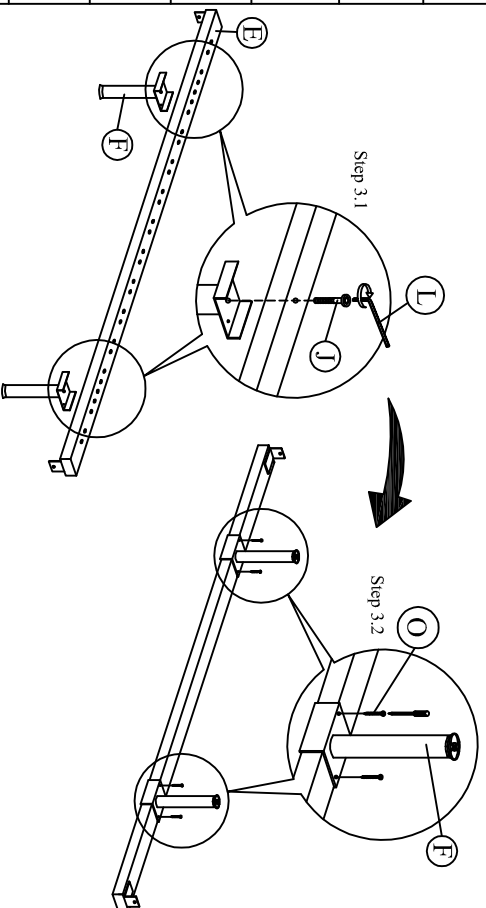
Step 1: Tighten the legs (D) to the footboard (B) as shown.



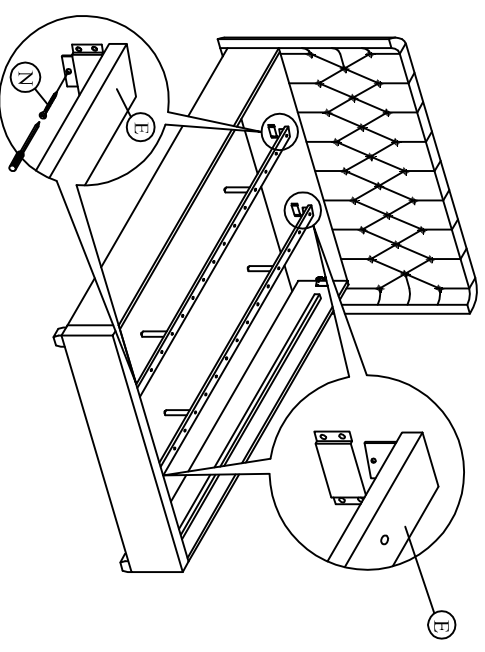
Step 2: Attach side rail (C) to headboard (A) and footboard (B) by pushing the bracket down to fit it.



Step 3: Attach the support legs (F) to the center rail (E) of the bed as shown.



Step 4: Slide the center rail (E) to the headboard (A) and footboard (B). Tighten screws (N) using screw driver (not included) to the headboard (A) and footboard (B).



|   |               |        |
|---|---------------|--------|
| A | Headboard     | 1 pc   |
| B | Footboard     | 1 pc   |
| C | Side Rail     | 2 pcs  |
| D | Leg           | 2 pcs  |
| E | Center Rail   | 2 pcs  |
| F | Support Leg   | 4 pcs  |
| G | Slat          | 42 pcs |
| H | Middle Holder | 28 pcs |
| I | End Holder    | 28 pcs |
| J | JCBC M6 X 40  | 4 pcs  |
| K | JCBC M6 X 50  | 2 pcs  |
| L | M4 x 100mm    | 1 pc   |
| M | M5 x 70mm     | 1 pc   |
| N | CSK M4 x 25mm | 4 pcs  |
| O | CSK M4 x 16mm | 8 pcs  |

Step 5: Tighten all the 4 corner ,follow by assembly of the slat holders with LVL slats as shown.

