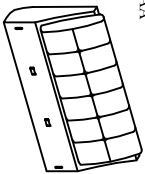
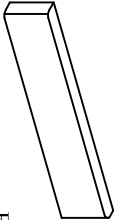
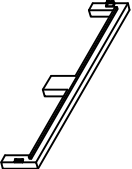
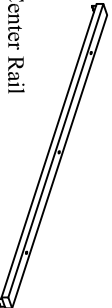
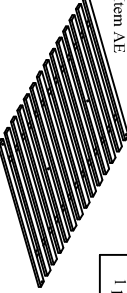
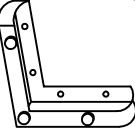
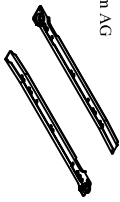
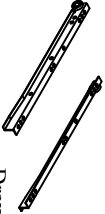
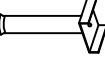


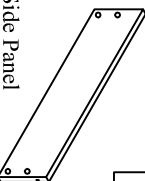


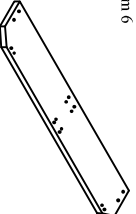
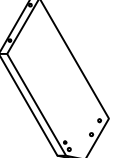

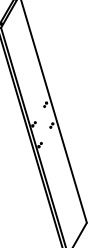



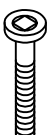

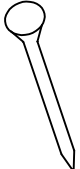






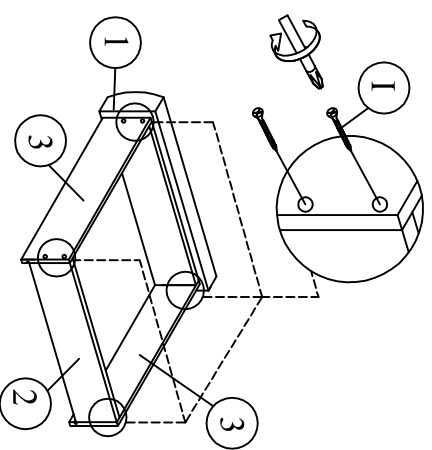


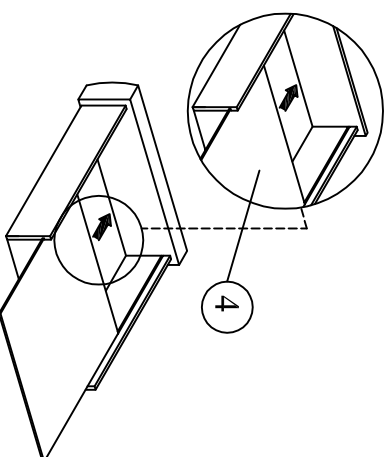
Item AA  Headboard	1 pc	Item AB  Footboard	1 pc	Item AC  Side Rail	2 pcs
Item AD  Center Rail	2 pcs	Item AE  14 pcs Slats	1 pc	Item AF  Leg	4 pcs
Item AG  Drawer Slide 500	8 pcs	Item AH  Drawer Slide 500	8 pcs	Item AI  Support Leg	4 pcs
Item 1  Drawer Front Panel	4 pcs	Item 2  Drawer Back Panel	4 pcs	Item 3  Drawer Side Panel	8 pcs
Item 4  Drawer Bottom Panel	4 pcs	Item 5  Drawer Bottom Panel	8 pcs	Item 6  Drawer Side Panel	2 pcs
Item 7  Drawer Bottom Panel	2 pcs	Item 8  Drawer Bottom Panel	2 pcs	Item 9  Drawer Side Panel	2 pcs
Item 10  Drawer Bottom Panel	4 pcs				

Item A  Plastic Dowel (8 x 25)	24 pcs	Item B  JCBC W M6 x 40	24 pcs	Item C  JCBC M6 x 40	20 pcs
Item D  White Nail Leg	20 pcs	Item E  Power Nail 6%	48 pcs	Item F  CSK M3,5 x 16 mm	56 pcs
Item G  CSK M4 x 25mm	16 pcs	Item H  CSK M4 x 32 mm	50 pcs	Item I  CSK M4 x 50mm	32 pcs
Item J  Allen Key 65 mm	1 pc	Item K  M6 Flat Washer	16 pcs		

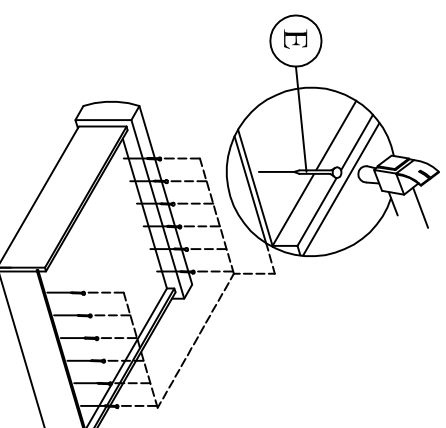
Step 1



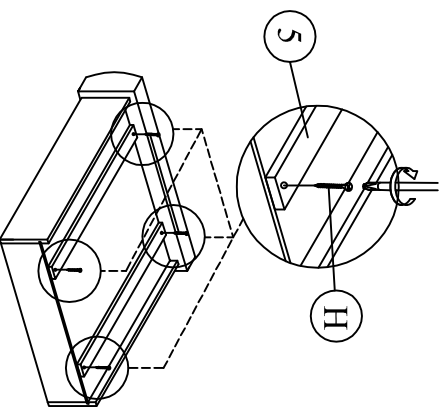
Step 2



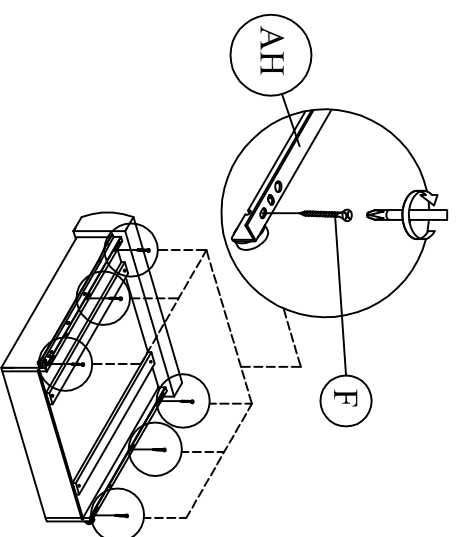
Step 3



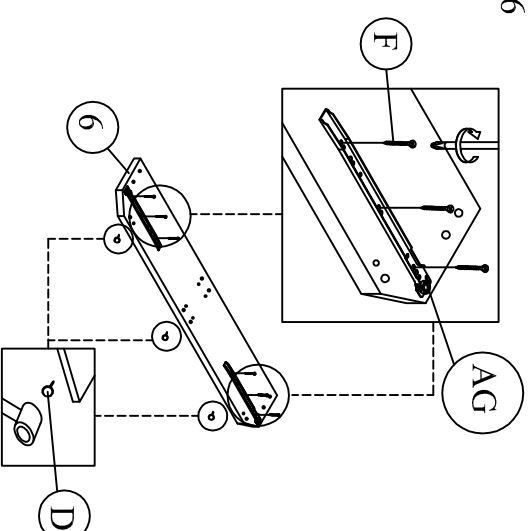
Step 4



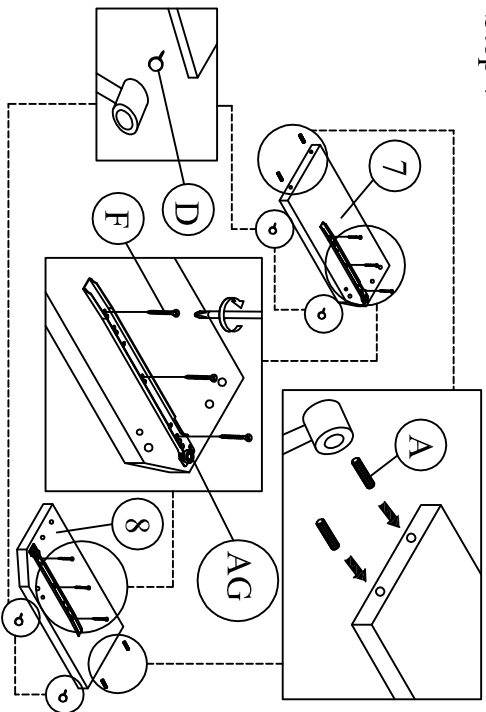
Step 5



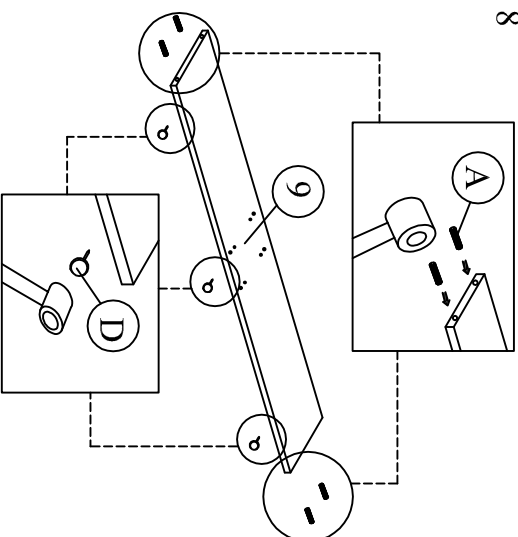
Step 6



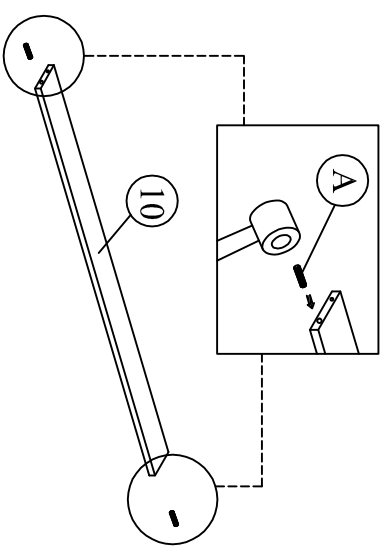
Step 7



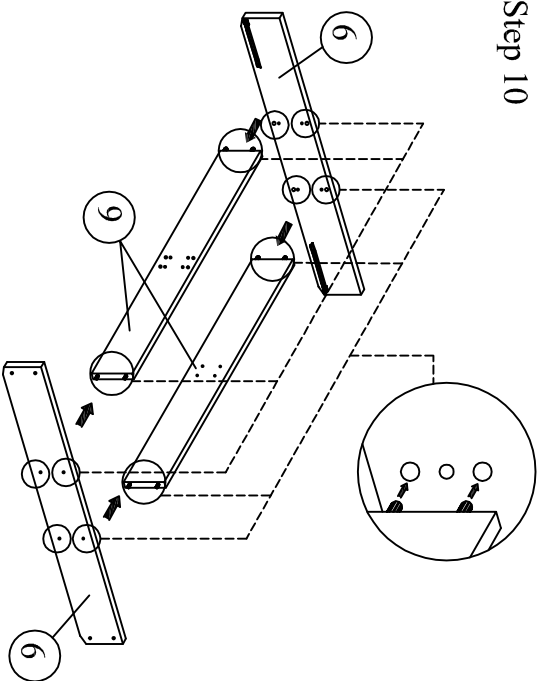
Step 8



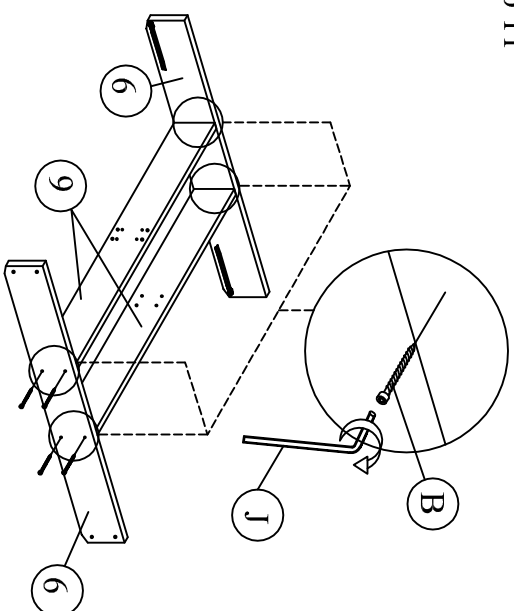
Step 9



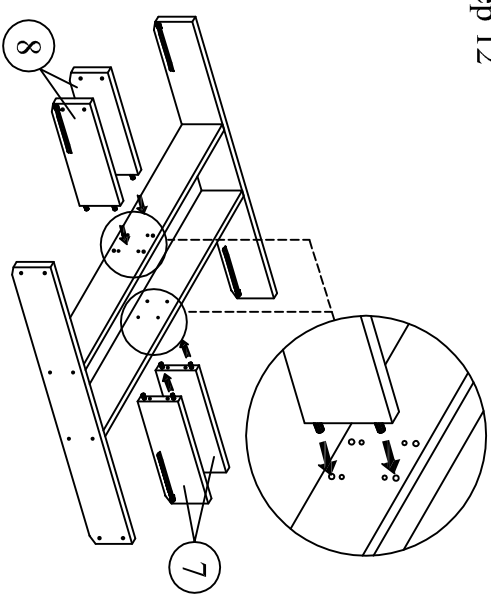
Step 10

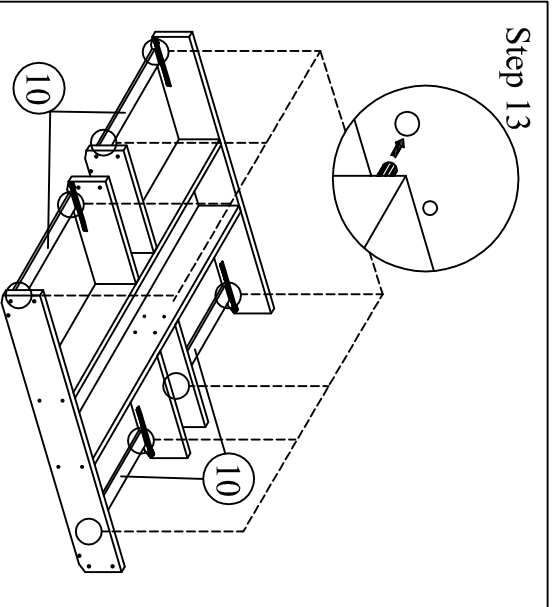


Step 11

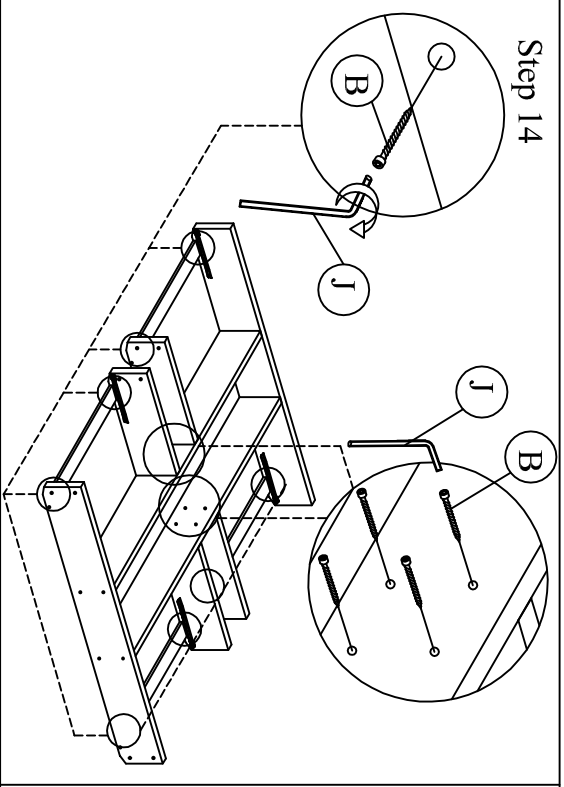


Step 12

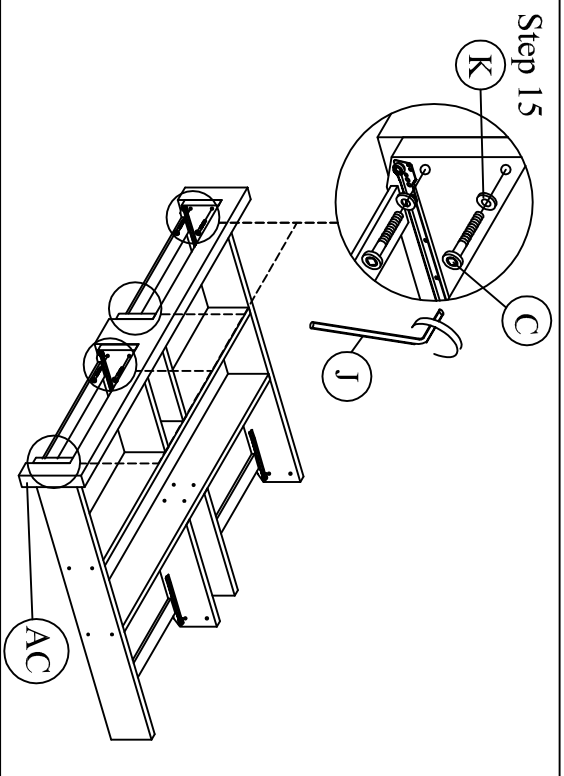




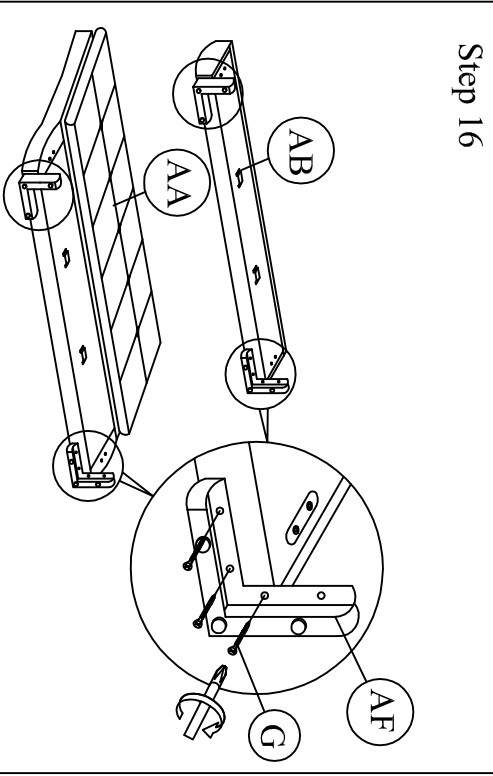
Step 13



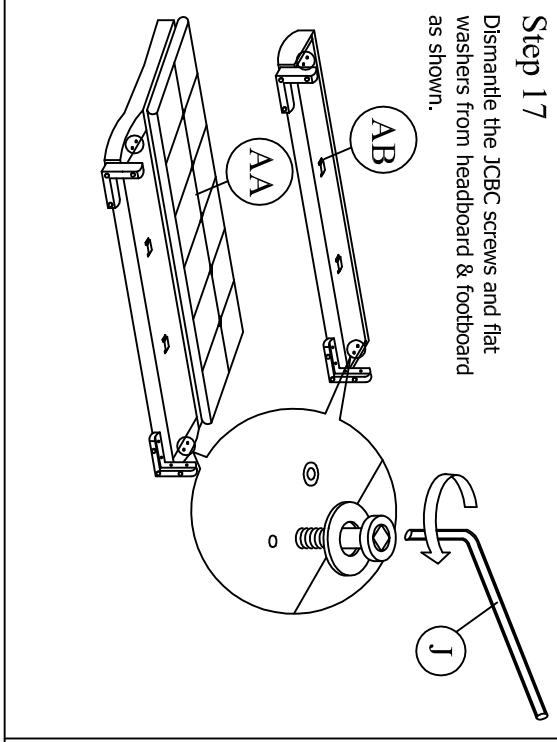
Step 14



Step 15

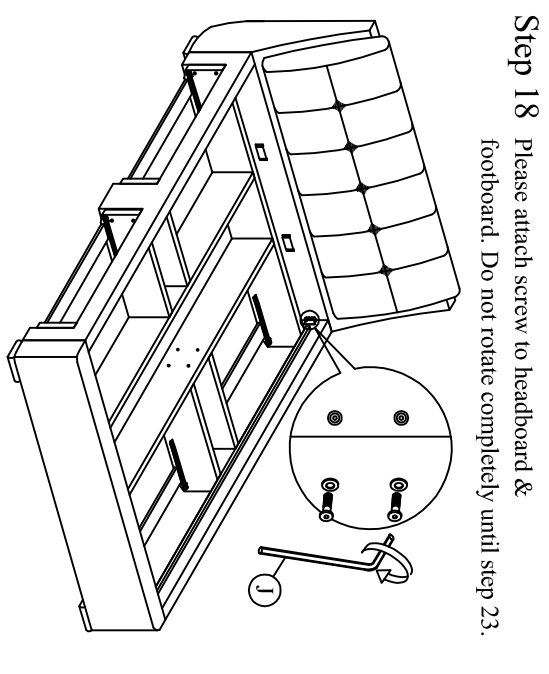


Step 16



Step 17

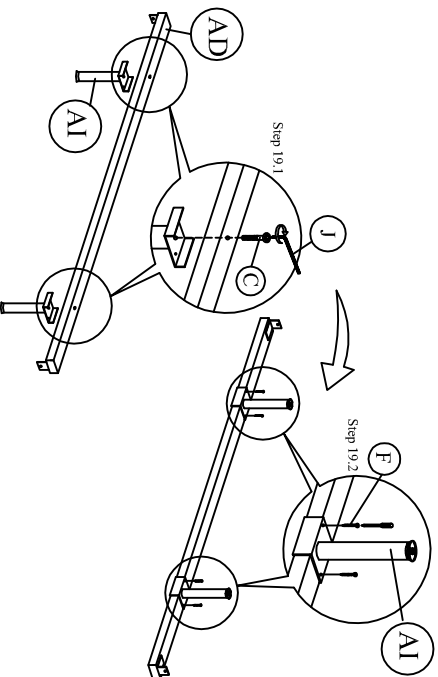
Dismantle the JCBC screws and flat washers from headboard & footboard as shown.



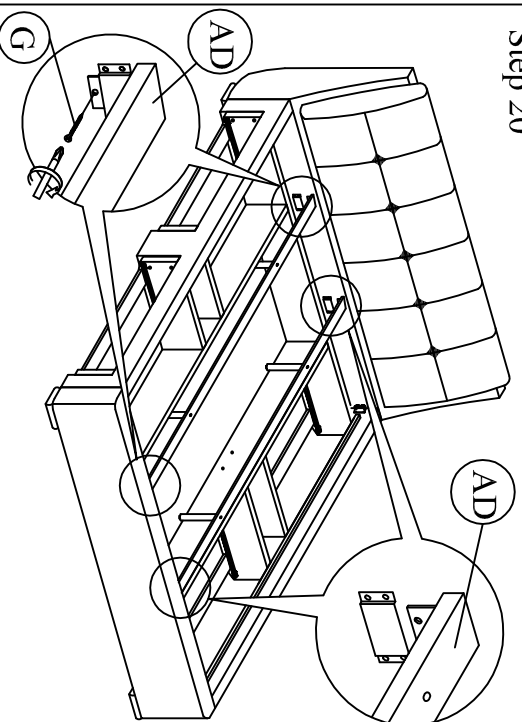
Step 18

Please attach screw to headboard & footboard. Do not rotate completely until step 23.

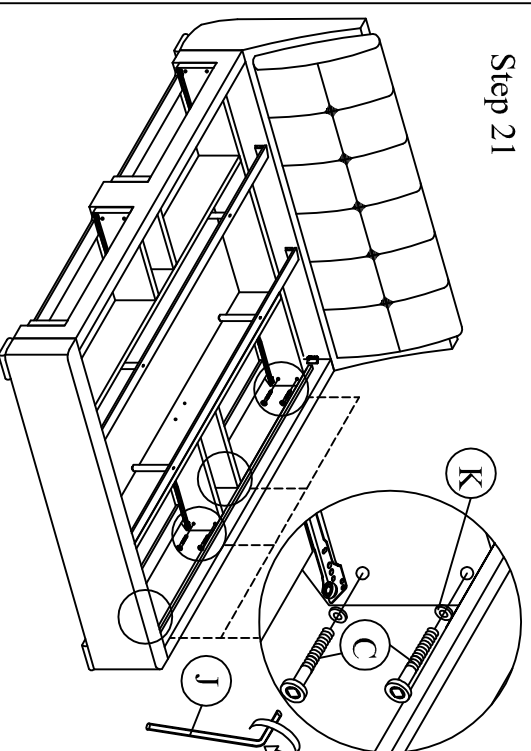
Step 19



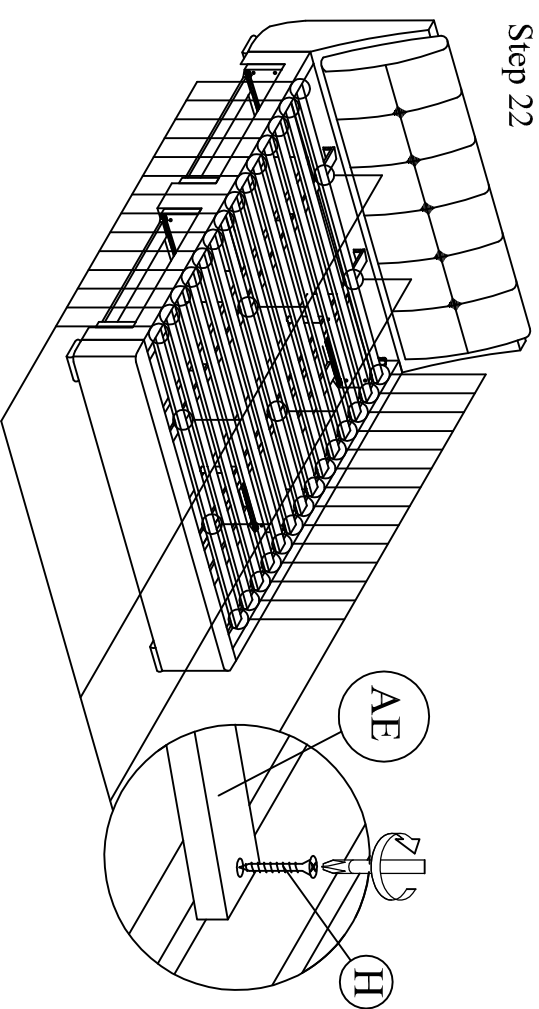
Step 20



Step 21



Step 22



Step 23

