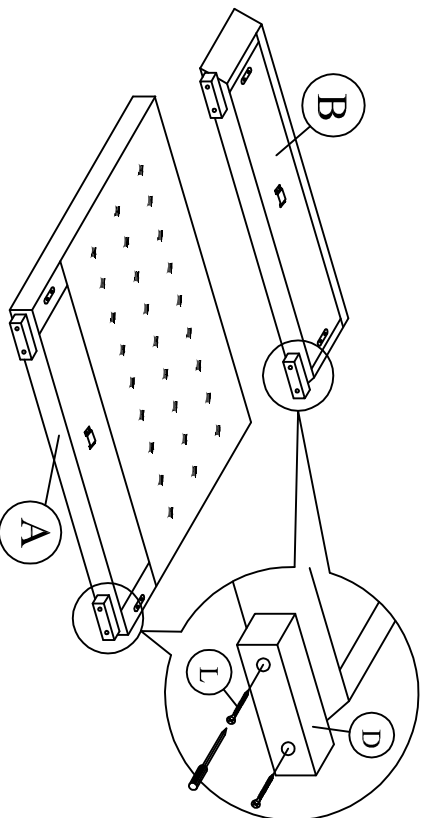


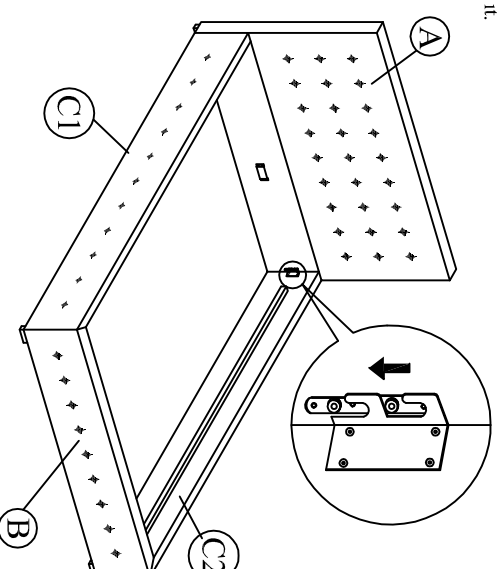
ASSEMBLY INSTRUCTION

MODEL: CF 8538 (S)

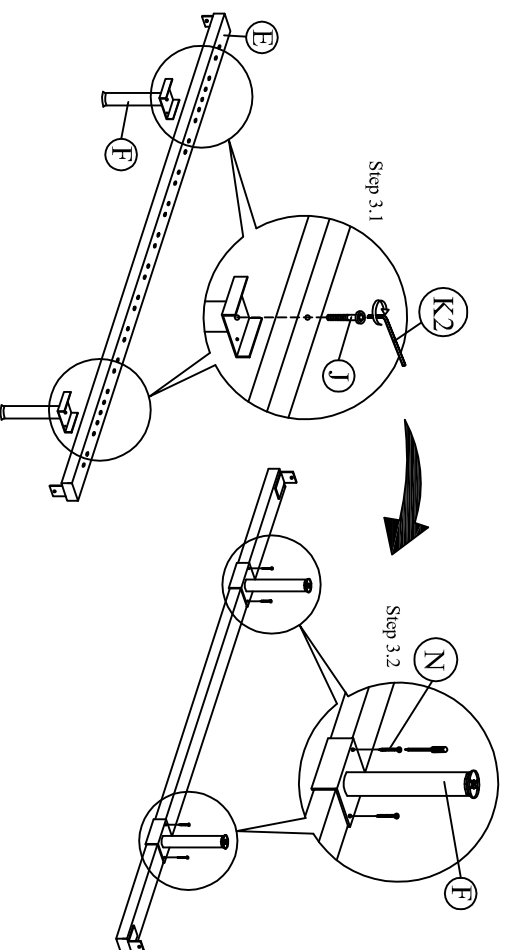
Step 1: Tighten the legs (D) to both headboard (A) and footboard (B) as shown.



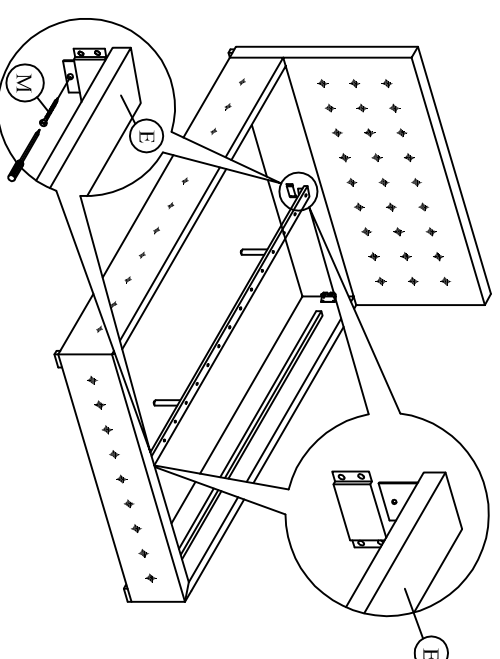
Step 2: Attach side rail (C) to headboard (A) and footboard (B) by pushing the bracket down to fit it.



Step 3: Attach the support legs (F) to the center rail (E) of the bed as shown.



Step 4: Slide the center rail (E) to the headboard (A) and footboard (B). Tighten screws (M) using screw driver (not included) to the headboard (A) and footboard (B).



A		1 pc
B		1 pc
C	 	2 pcs
D		4 pcs
E		1 pc
F		2 pcs
G		28 pcs
H		14 pcs
I		28 pcs
J		2 pcs
K	 M5 x 70mm M4 x 65mm	1 pc
L		8 pcs
M		2 pcs
N		4 pcs

Step 5: Tighten all the 4 corner ,follow by assembly of the slat holders with LVL slats as shown.

