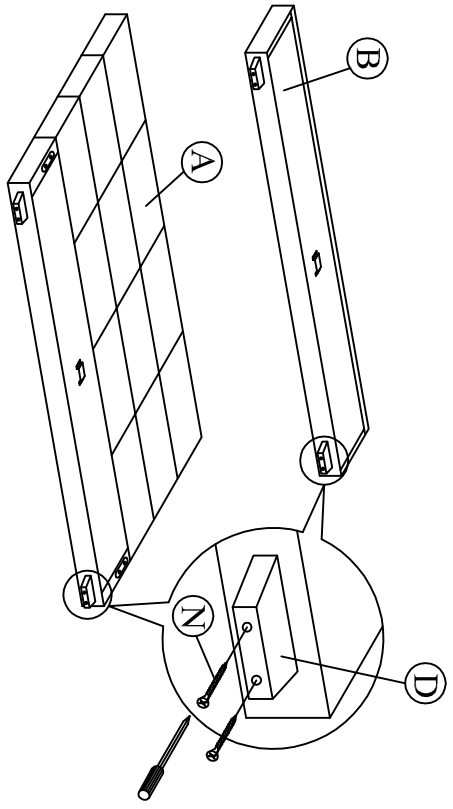


# ASSEMBLY INSTRUCTION

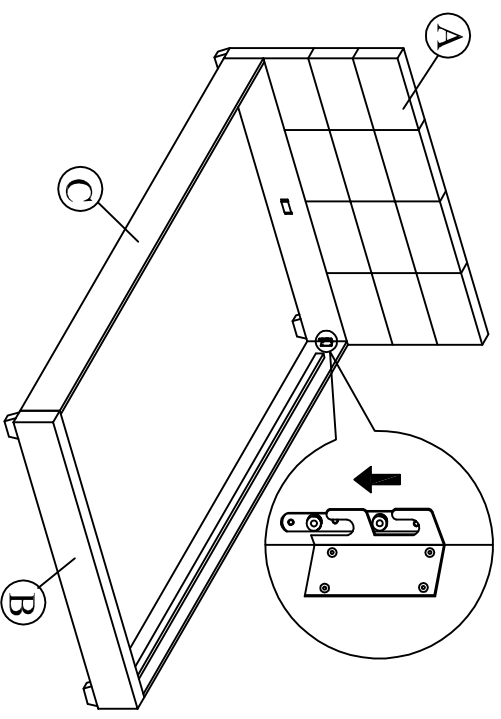
MODEL: CF 8514 (5)

|   |                                 |        |
|---|---------------------------------|--------|
| A | Headboard                       | 1 pc   |
| B | Footboard                       | 1 pc   |
| C | Side Rail                       | 2 pcs  |
| D | Leg                             | 4 pcs  |
| E | Center Rail                     | 1 pc   |
| F | Support Leg                     | 2 pcs  |
| G | Slat                            | 28 pcs |
| H | Middle Holder                   | 14 pcs |
| I | End Holder                      | 28 pcs |
| J | JCBC M6 X 40                    | 2 pcs  |
| K | K1<br>K2<br>M5 x 70mm M4 x 65mm | 1 pc   |
| L | CSK M4 x 25mm                   | 2 pcs  |
| M | CSK M4 x 32mm                   | 3 pcs  |
| N | CSK M4 x 50mm                   | 8 pcs  |
| O | CSK M4 x 16mm                   | 4 pcs  |
| P | Stiffener Slat (3 Holes)        | 1 pc   |

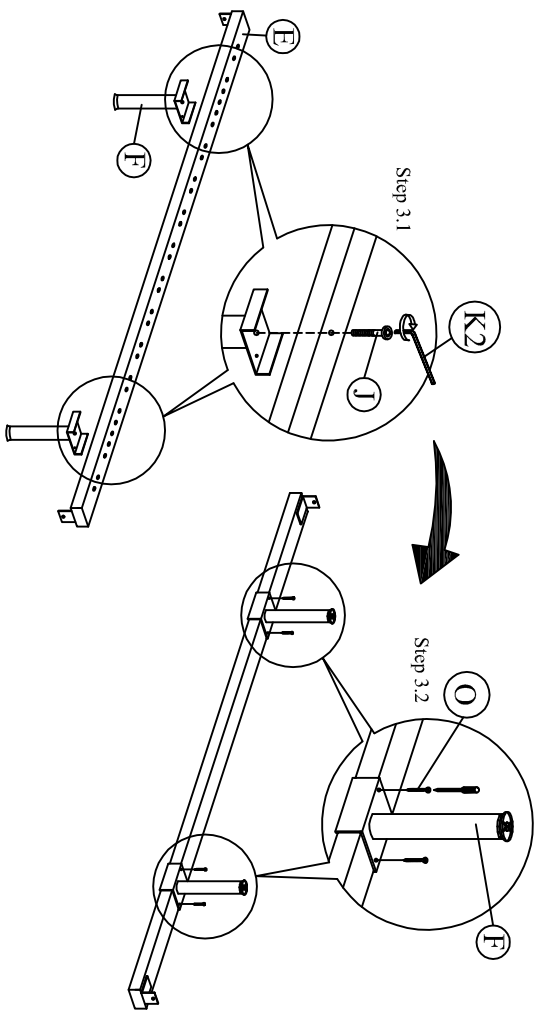
Step 1: Tighten the legs (D) to both headboard (A) and footboard (B) as shown.



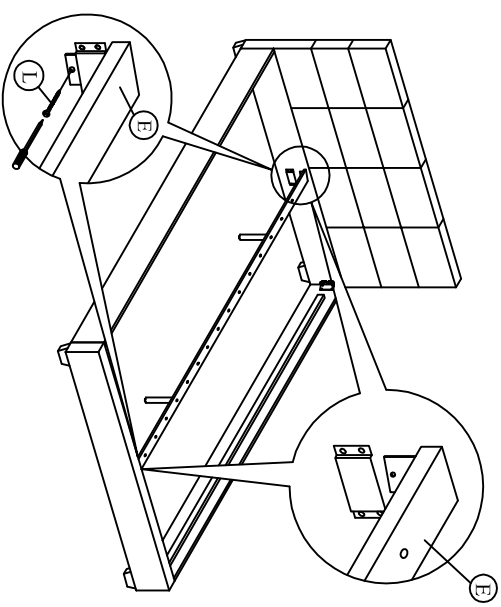
Step 2: Attach side rail (C) to headboard (A) and footboard (B) by pushing the bracket down to fit it.



Step 3: Attach the support legs (F) to the center rail (E) of the bed as shown.



Step 4: Slide the center rail (E) to the headboard (A) and footboard (B). Tighten screws (L) using screw driver (not included) to the headboard (A) and footboard (B).



Step 5: Affix the Stiffener Slat (P) to the side rail support wood and the center rail (E) . Tighten all the 4 corner , follow by assembly of the slat holders with L VL slats as shown.

