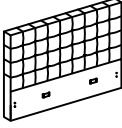
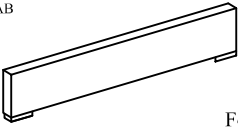
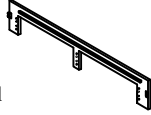


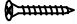
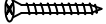

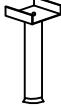

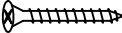
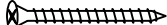

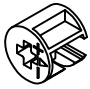
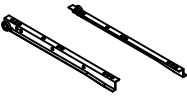
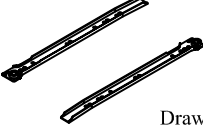

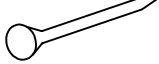

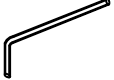
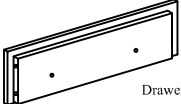

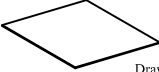
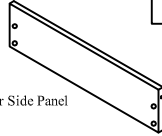
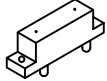
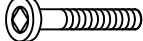

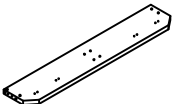
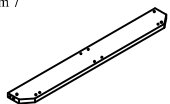




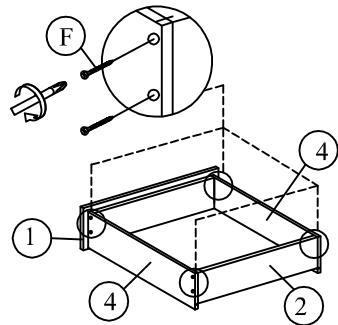


MODEL: CF 8497 (6')

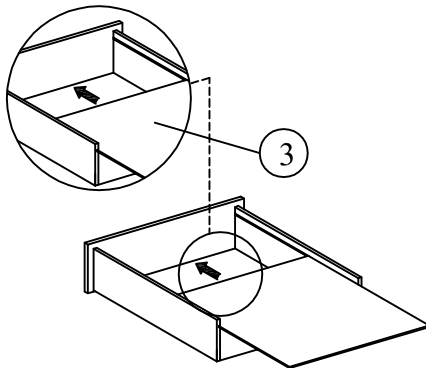
# Assembly Instruction

Item AA  Headboard 1 pc	Item AB  Footboard 1 pc	Item AC  Side Rail 2 pcs	Item A  Plastic Dowel ( 8 x 25 ) 36 pcs	Item B  JCBC W M6 x 40 14 pcs	Item C  CSK M3.5 x 16 mm 68 pcs	Item D  CSK M4 x 25 mm 4 pcs
Item AD  14 pcs Slat 1 pc	Item AE  Support Leg 4 pcs	Item AF  Center Rail 2 pcs	Item E  CSK M4 x 32 mm 50 pcs	Item F  CSK M4 x 50 mm 32 pcs	Item G  Mini Fix Bolt 10 pcs	Item H  Mini Fix Housing 10 pcs
Item AG  Drawer Slide 500 8 pcs	Item AH  Drawer Slide 500 8 pcs		Item I  Mini Fix Cap 10 pcs	Item J  Power Nail 9/16 56 pcs	Item K  White Nail Leg 17 pcs	Item L  Allen Key 65 mm 1 pc
Item 1  Drawer Front Panel 4 pcs	Item 2  Drawer Back Panel 4 pcs	Item 3  Drawer Bottom Panel 4 pcs	Item 4  Drawer Side Panel 8 pcs	Item M  Plastic Pin 25 mm 8 pcs	Item N  JCBC M6 x 40 4 pcs	
Item 5  8 pcs	Item 6  1 pc	Item 7  2 pcs	Item 8  4 pcs			
Item 9  2 pcs	Item 10  1 pc	Item 11  1 pc				

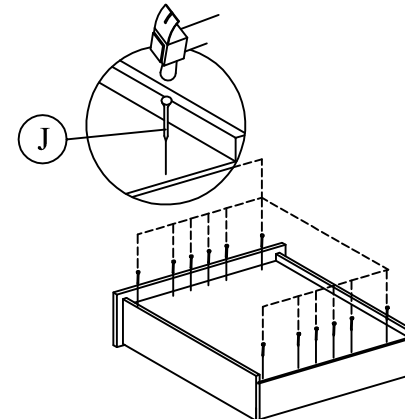
Step 1



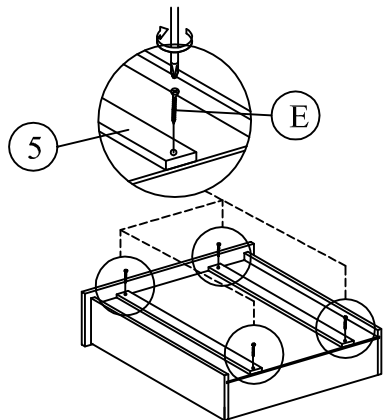
Step 2



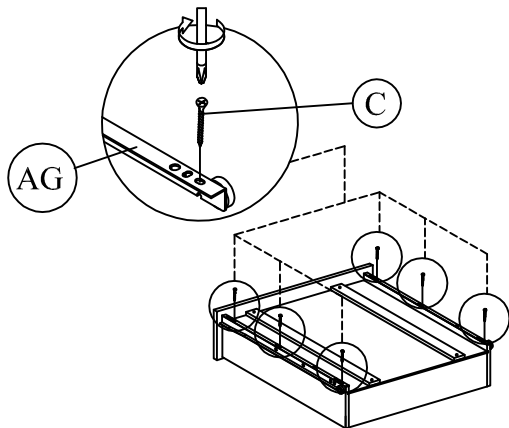
Step 3



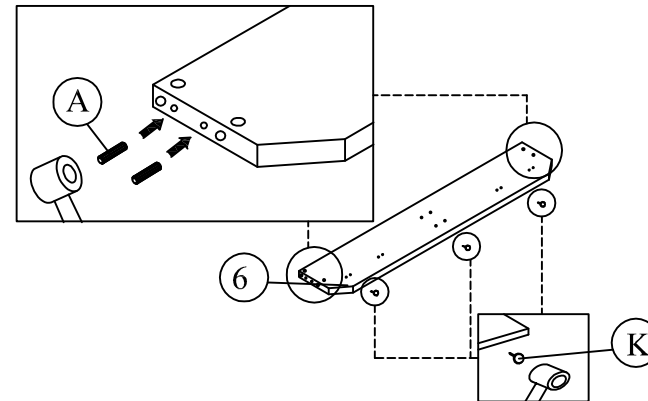
Step 4



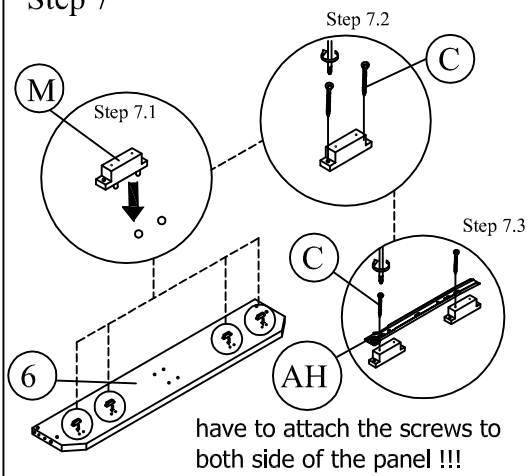
Step 5



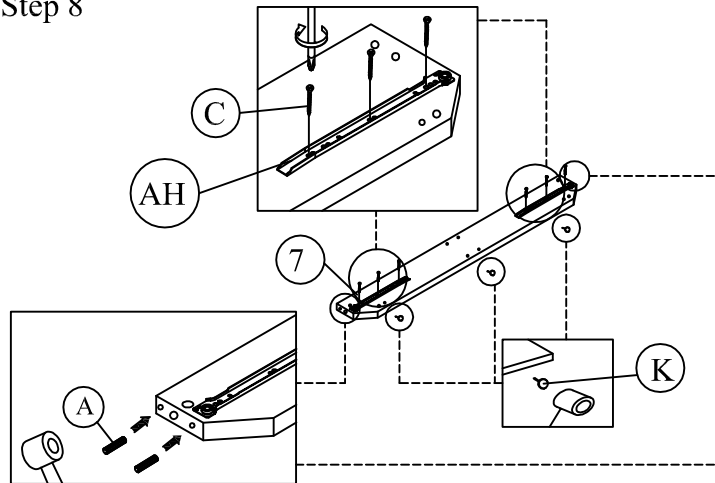
Step 6



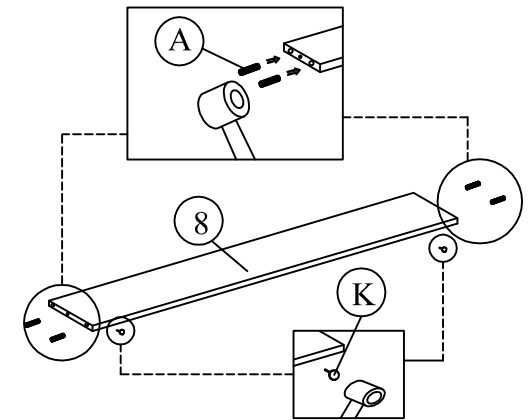
### Step 7



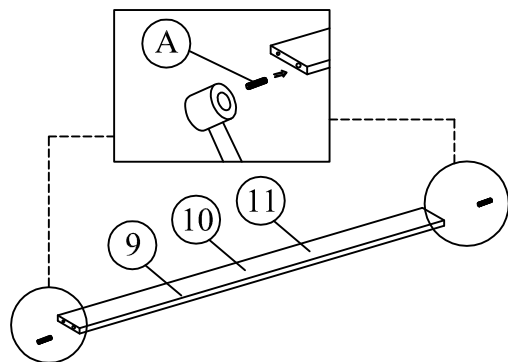
### Step 8



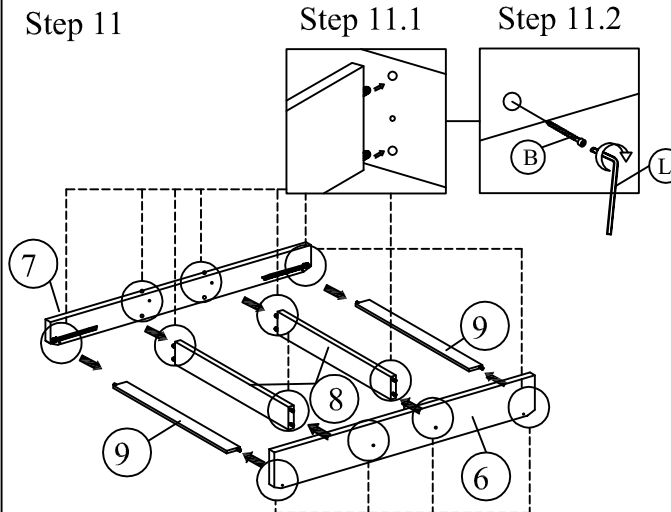
### Step 9



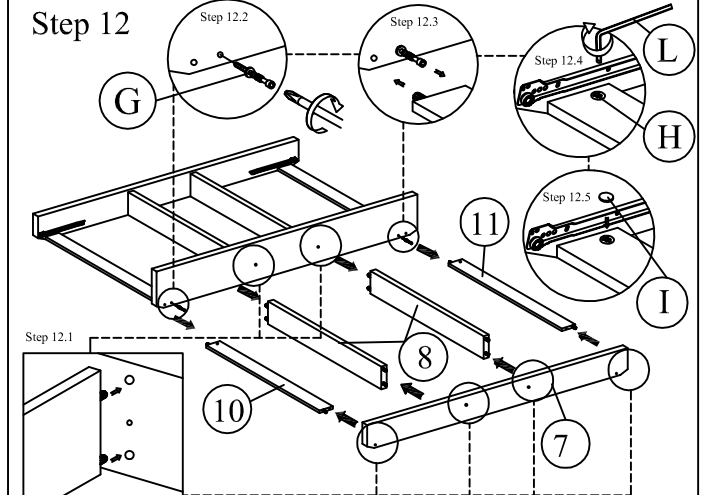
### Step 10



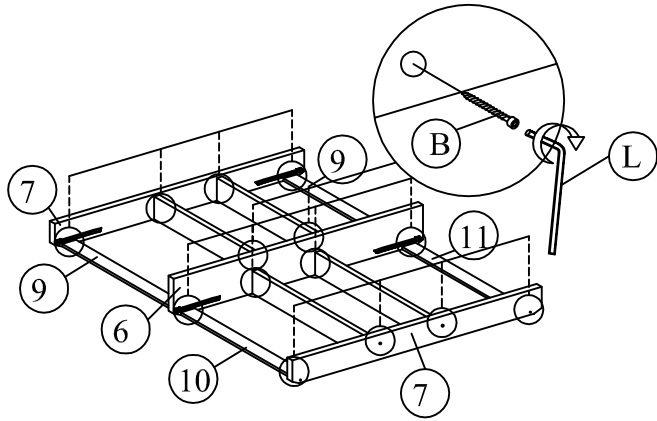
### Step 11



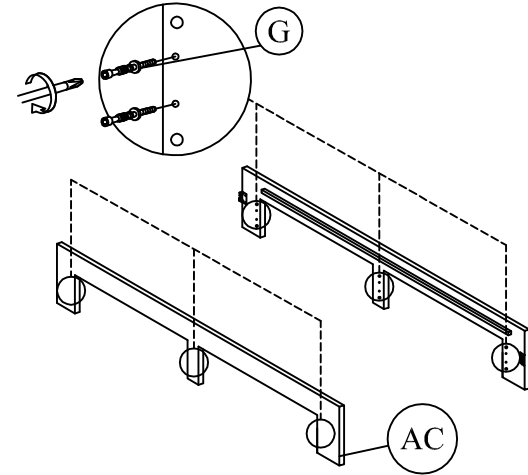
### Step 12



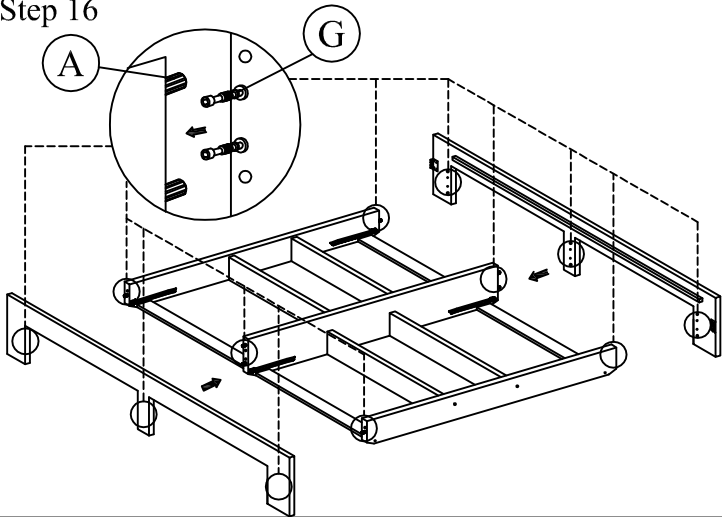
Step 13



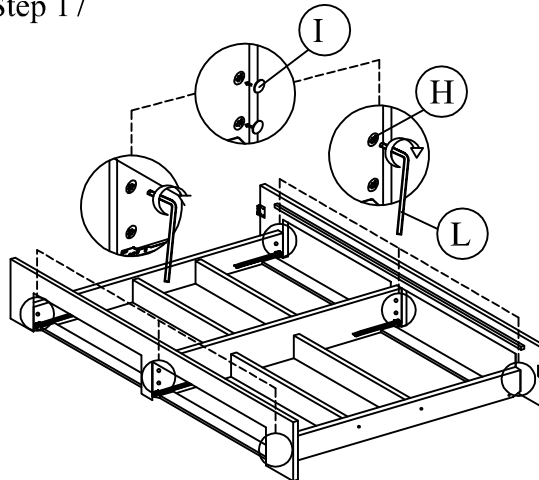
Step 14



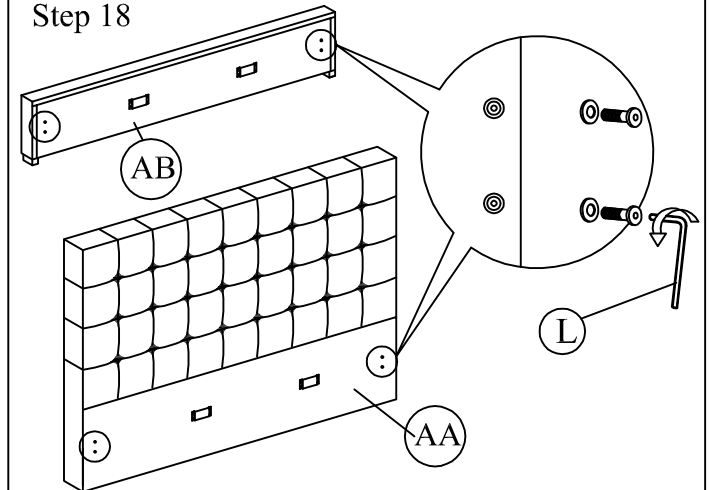
Step 16



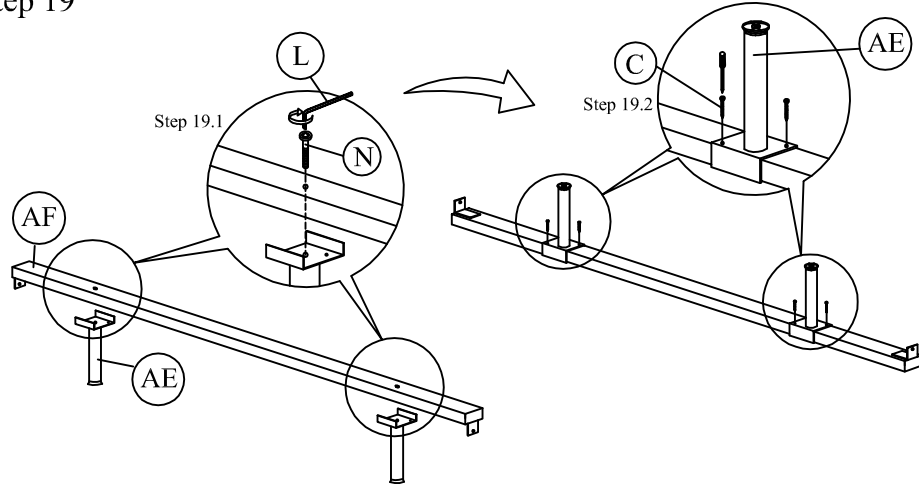
Step 17



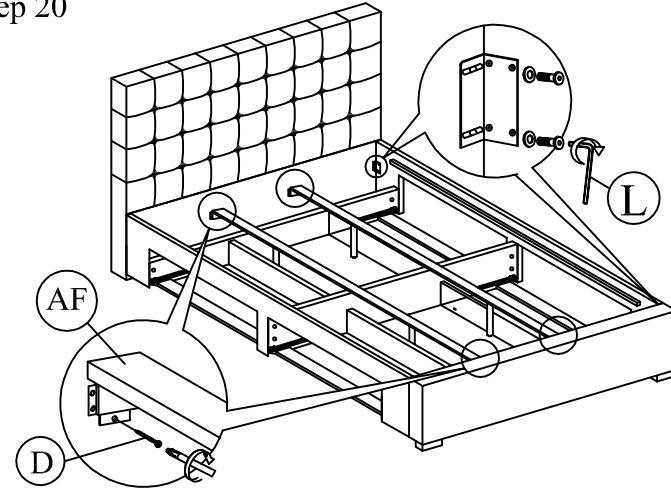
Step 18



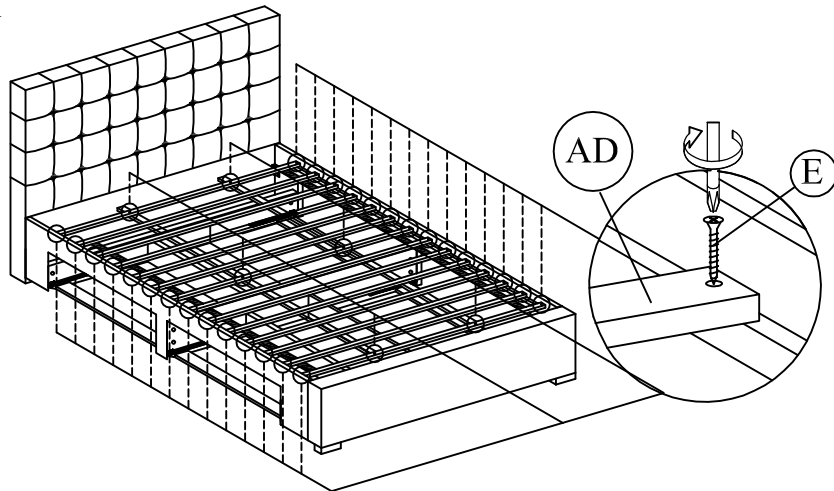
Step 19



Step 20



Step 21



Step 22

