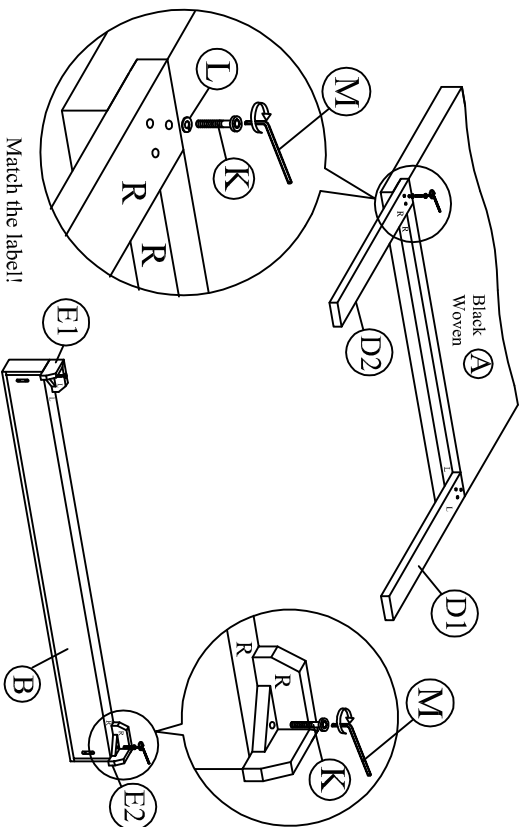


Model : CF 8356 (S)

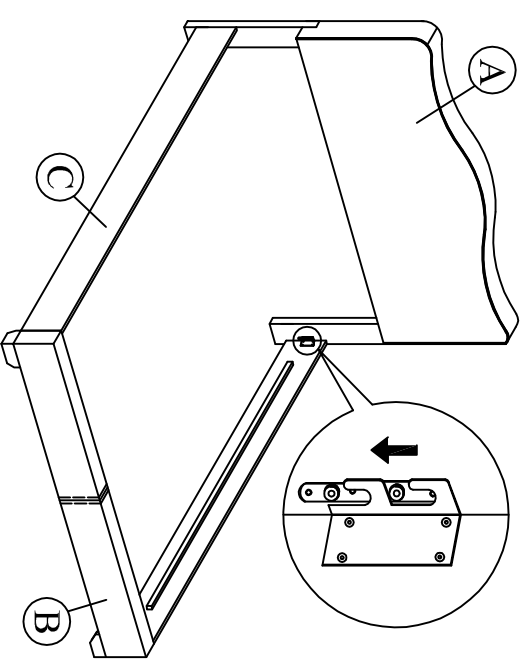
Assembly Instruction

Step 1: Fix the headboard and footboard with legs as shown. Please follow the label to identify the correct legs to be fixed.

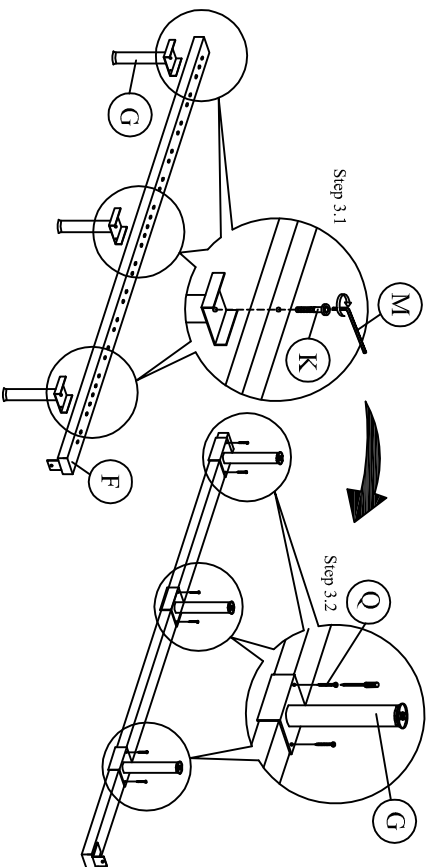
A	Headboard	1 pc
B	Footboard	1 pc
C	Side Rail	2 pcs
D	Headboard Legs	2 pcs
E	Footboard Legs	2 pcs
F	Center Rail	1 pc
G	Support Legs	3 pcs
H	Slit	28 pcs
I	Middle Holder	14 pcs
J	End Holder	28 pcs
K	JCBC M6 X 40	11 pcs
L	Spring Washer	6 pcs
M	M4 x 100mm	1 pc
N	M5 x 70mm	1 pc
O	CSK M4 x 32mm	3 pcs
P	CSK M4 x 25mm	1 pc
Q	CSK M4 x 16 mm	10 pcs
R	Angle Bracket	2 pcs
S	Flat Washer	4 pcs
T	JCBC M6 X 35	4 pcs
U	Side Wing	2 pcs
V	Stiffener Slat (3 holes)	1 pc



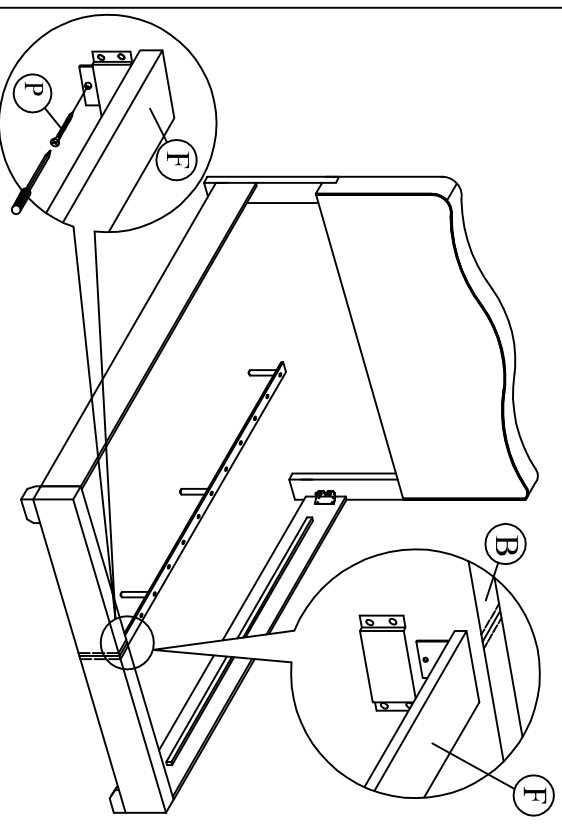
Step 2: Attach side rail (C) to headboard (A) and footboard (B) by pushing the bracket down to fit it.



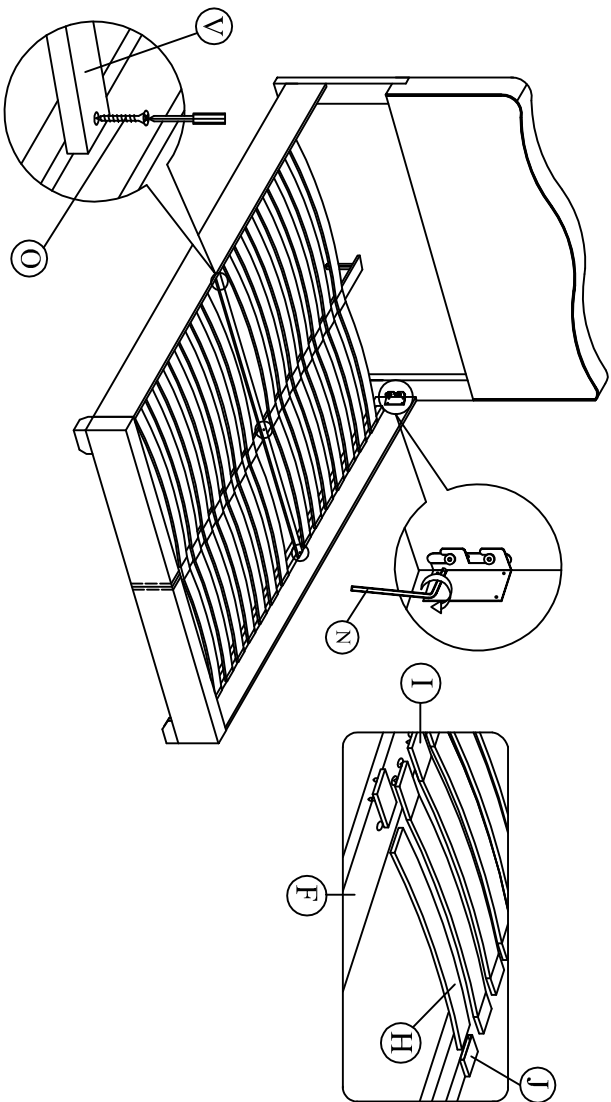
Step 3: Attach the support legs (G) to the center rail (F) of the bed as shown.



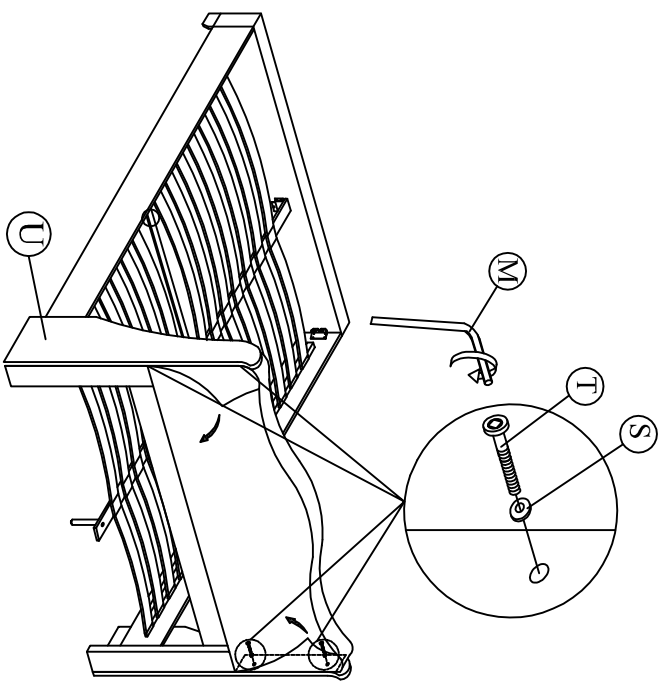
Step 4: Slide the center rail (F) to the footboard (B). Tighten screws (P) using screw driver (not included) to the footboard (B).



Step 5: Affix the Stiffener Slat (V) to the side rail support wood and the center rail (F) . Tighten all the 4 corner .follow by assembly of the slat holders with L VL slats as shown.



Step 6: Open the velco tape of the back of headboard (A) and tighten the side wing (U) to the headboard (A) as shown.



Step 7 : Affix the angle bracket (R) to both the headboard leg (D) & side wing (U) with screw driver (not provided) as shown .

