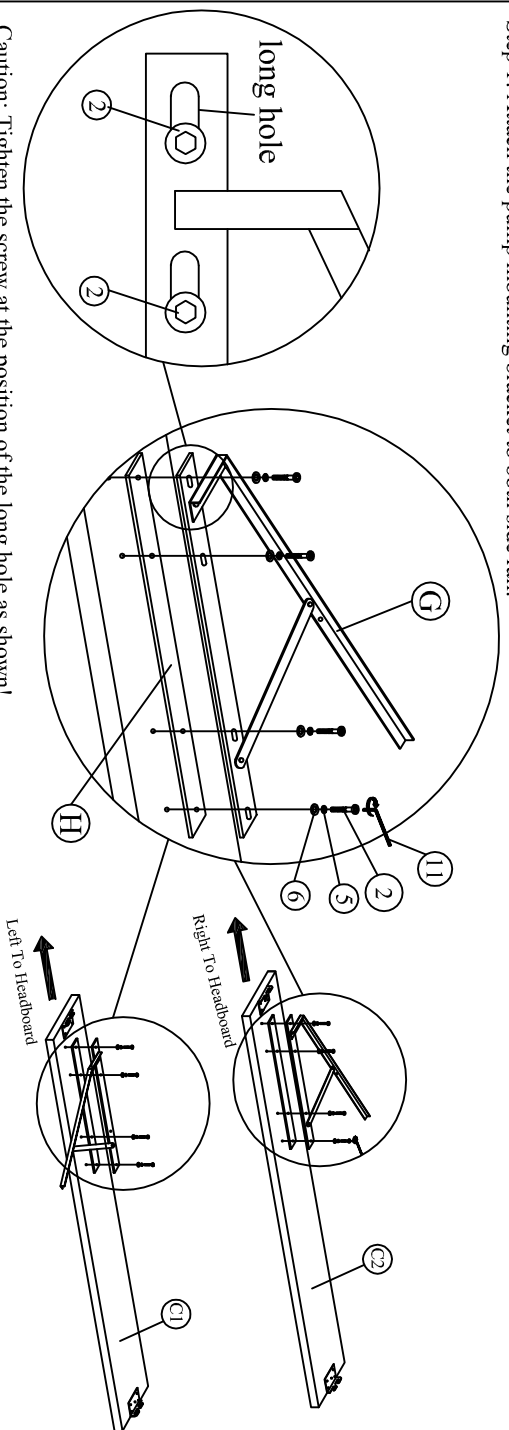


MODEL : CF 8287 (5')

Assembly Instruction

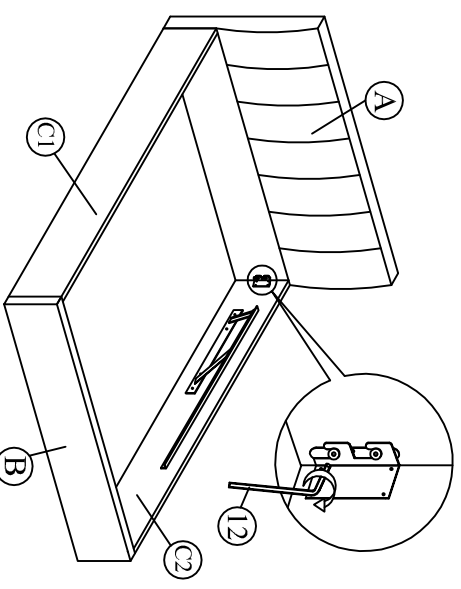
A	Headboard	1 PC	B	Footboard	1 PC	C	Side Rail	2 PCS	D	End Holder	26 PCS	1	JCBC M6 X 20	8 PCS	2	JCBC M6 X 40	8 PCS	3	JCBC M6 X 50	18 PCS	4	JCBC M8 X 50	10 PCS
E	Middle Holder	13 PCS	F	Slat	26 PCS	G	Pump Mounting Bracket	2 PCS	H	Bracket Base	2 PCS	5	M6 Spring Washer	52 PCS	6	M6 Flat Washer	52 PCS	7	M6 Hex Nut	18 PCS	8	M8 Spring Washer	20 PCS
I	FH / SR Angle Bracket	2 PCS	J	Main Frame (front & end)	2 PCS	K	Main Frame (Side)	2 PCS	L	Center Rail	1 PC	9	M8 Flat Washer	20 PCS	10	M8 Hex Nut	10 PCS	11	M4 Allen Key	1 PC	12	M5 Allen Key	1 PC
M	Metal Corner Bracket	4 PCS	N	Rubber Corner Connector	4 PCS	O	Support Legs	1 PC	P	Gas Spring	2 PCS	13	M6 Spanner	1 PC	14	M8 Spanner	1 PC	15	Frame lifter	1 PC	16	CSK Screw M4 x 16 mm	2 PCS
Q	Stopper	1 PC	R	Stiffener Slat	1 PC							17	Adjuster	1 PC									

Step 1: Attach the pump mounting bracket to both side rail.

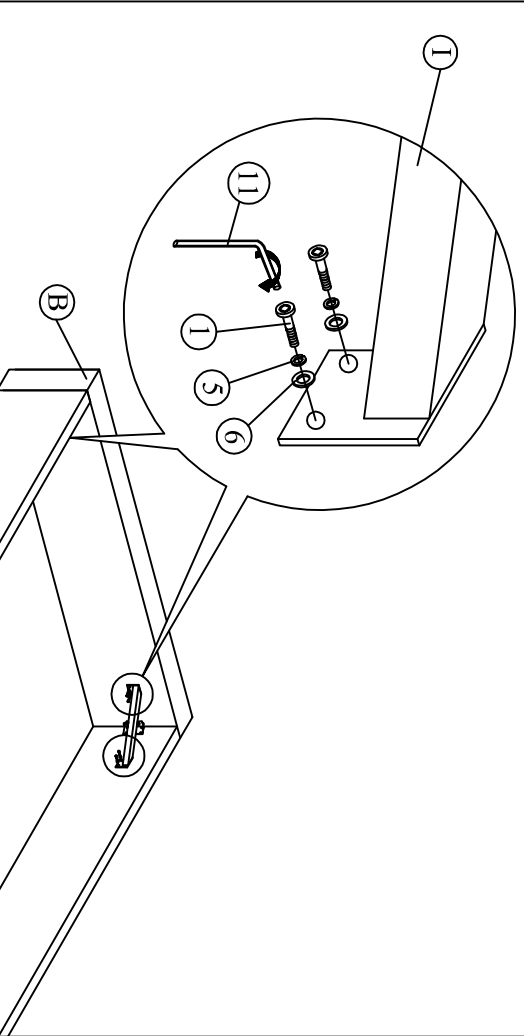


Caution: Tighten the screw at the position of the long hole as shown!

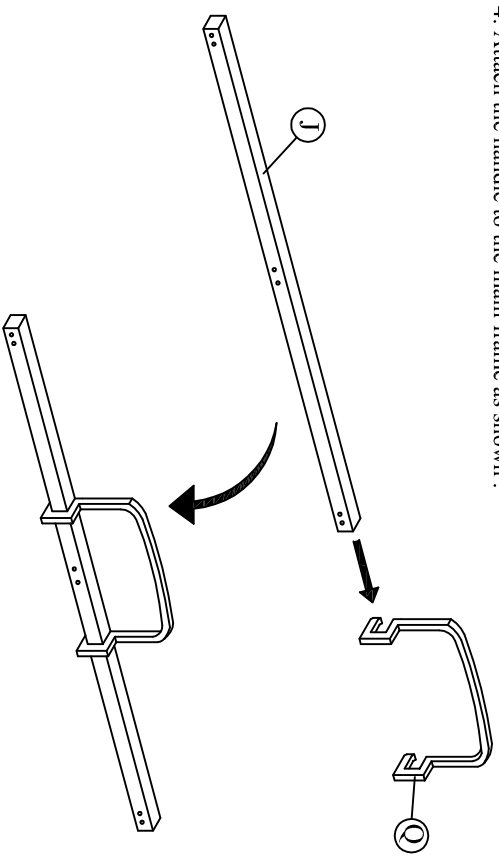
Step 2: Hook and tighten the side rail to headboard and footboard.



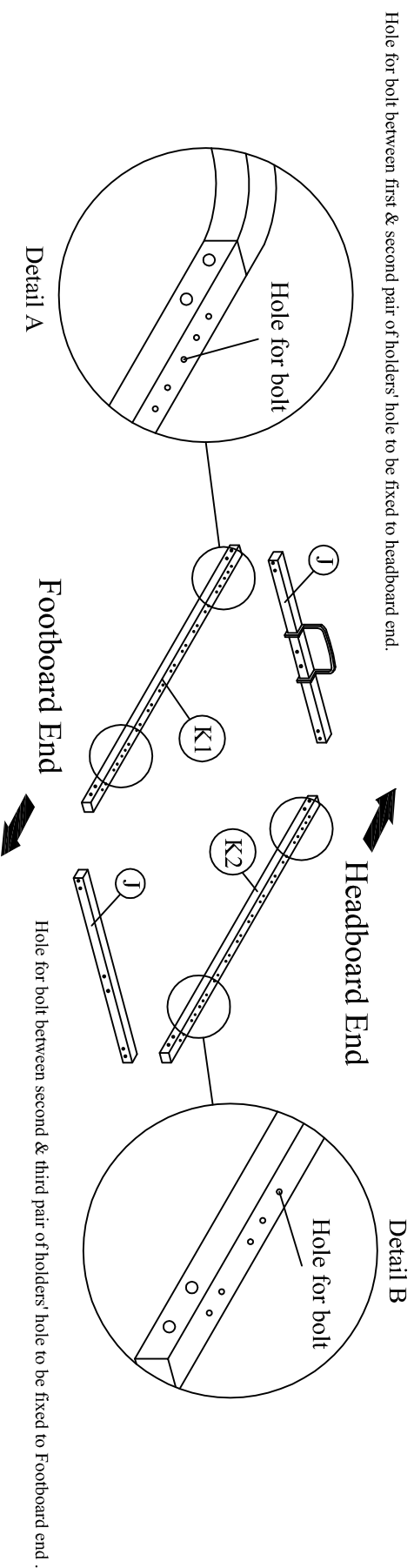
Step 3: Tighten the angle bracket to both footboard & side rail.



Step 4: Attach the handle to the main frame as shown.



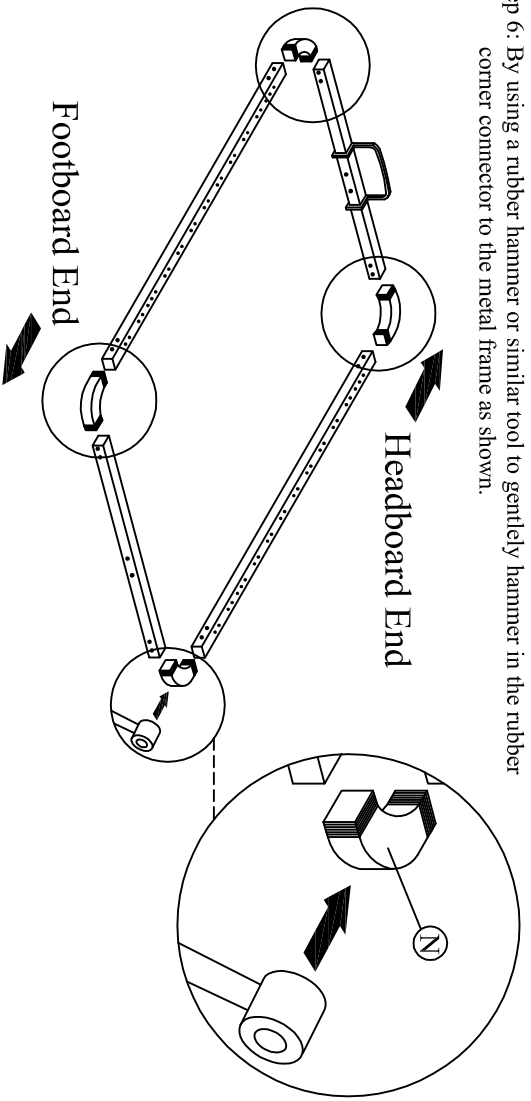
Step 5: Assemble the main frame as shown. The hole for bolt between first & second pair of holders indicate the frame end where it will need to fix to headboard end. The hole for bolt between second & third pair of holders indicate the frame end where it will need to fix to footboard end.



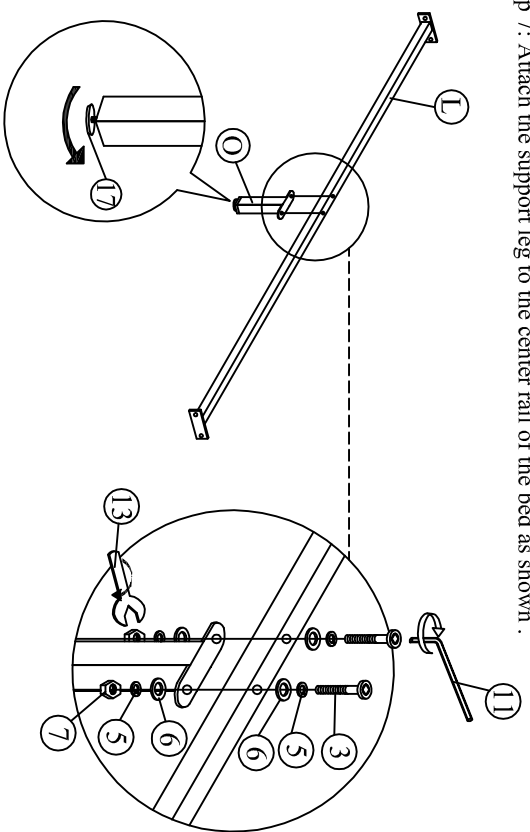
Hole for bolt between first & second pair of holders' hole to be fixed to headboard end.

Hole for bolt between second & third pair of holders' hole to be fixed to Footboard end.

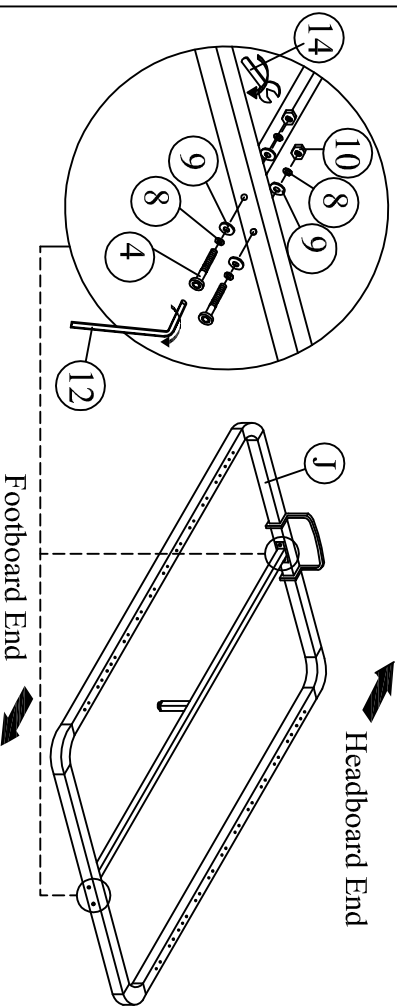
Step 6: By using a rubber hammer or similar tool to gently hammer in the rubber corner connector to the metal frame as shown.



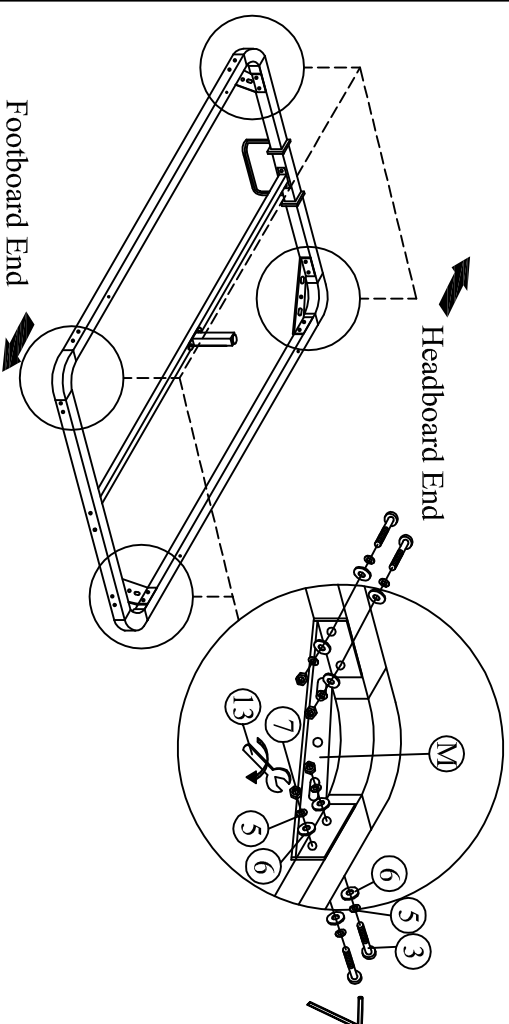
Step 7: Attach the support leg to the center rail of the bed as shown.



Step 8: Attach the center rail to the main frame as shown and fully tighten all the screw of the main frame.

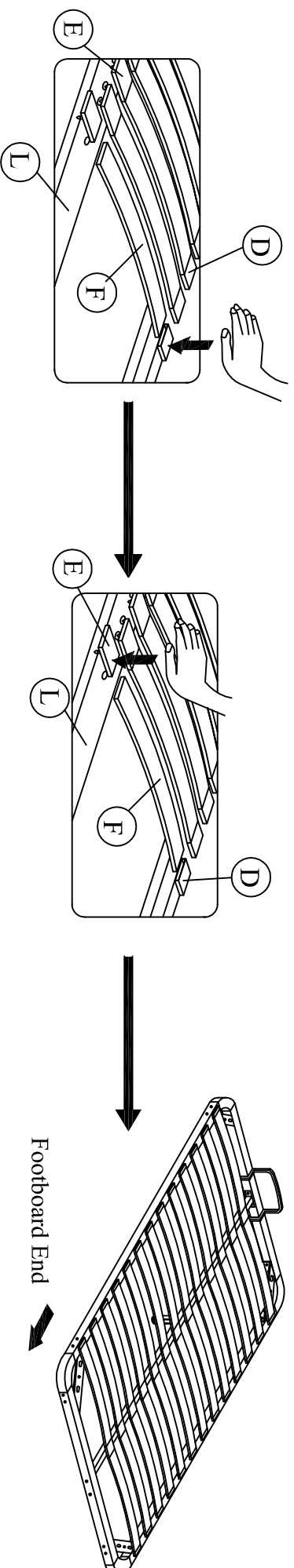


Step 9: Turn the frame upside down for fixing the metal corner bracket to the main frame as shown.

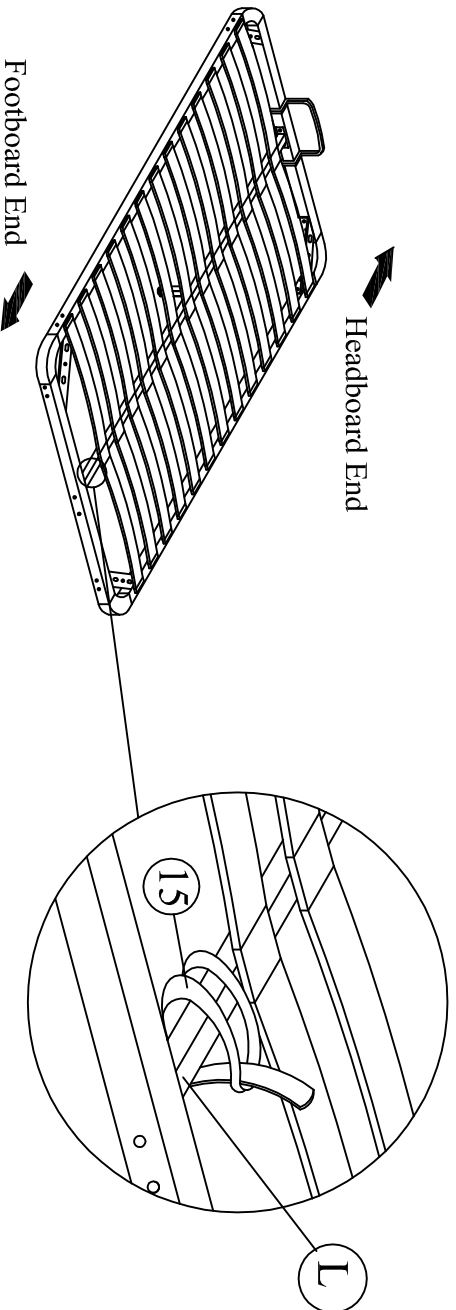


Step 10 : Install the slat holders with the slat and fix to the main frame.

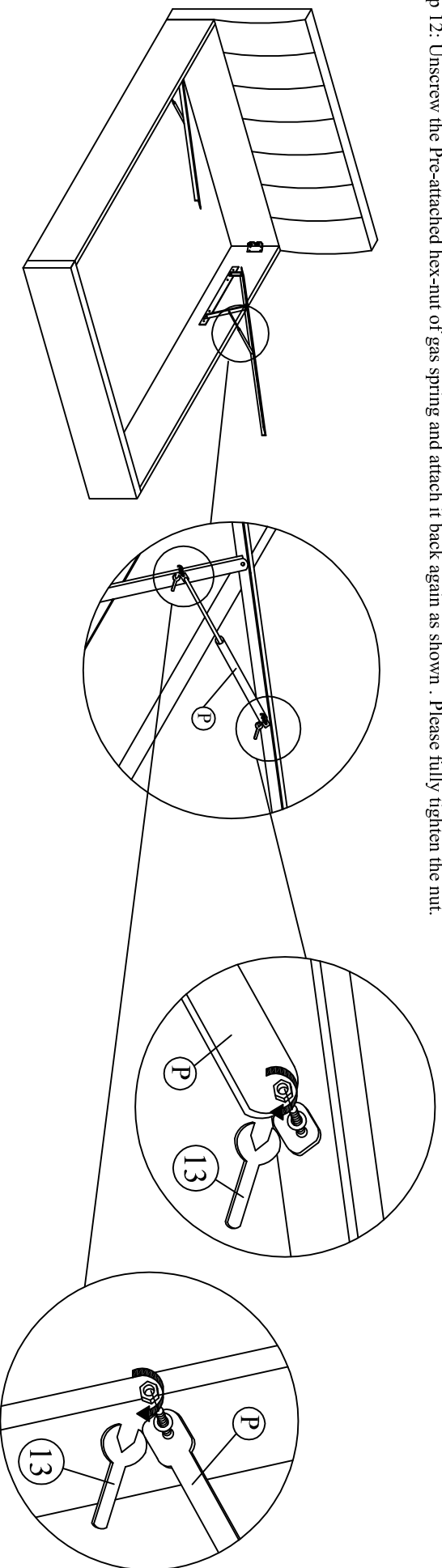
Fit Slat Holders (D) first & attach to outside rail , then fit slat holders (E) and attach to center rail (Note : fit D first then E)



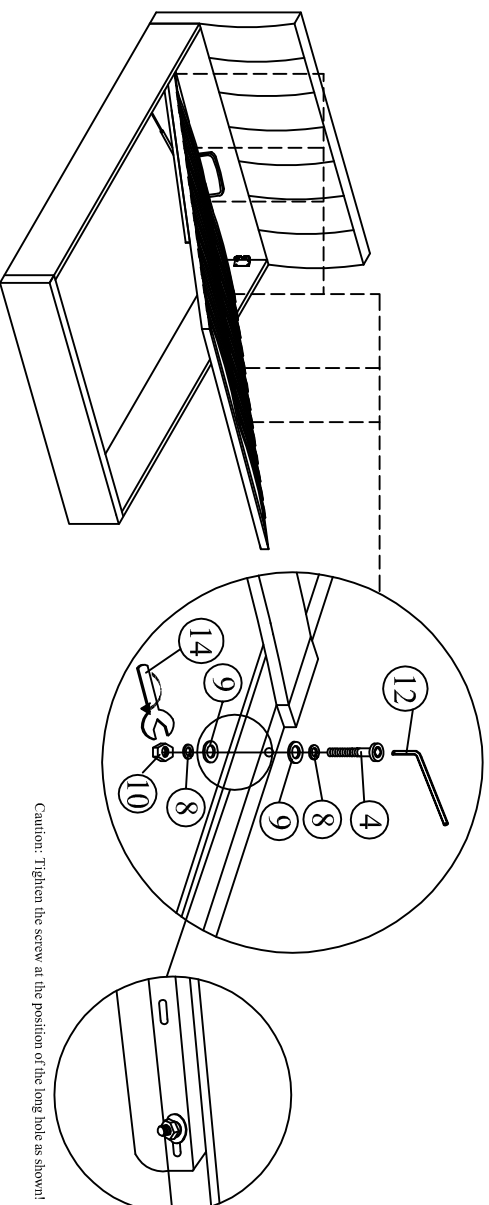
Step 11 : Attach the frame lifter to the center rail Foot by crossing over and looping it through it self .



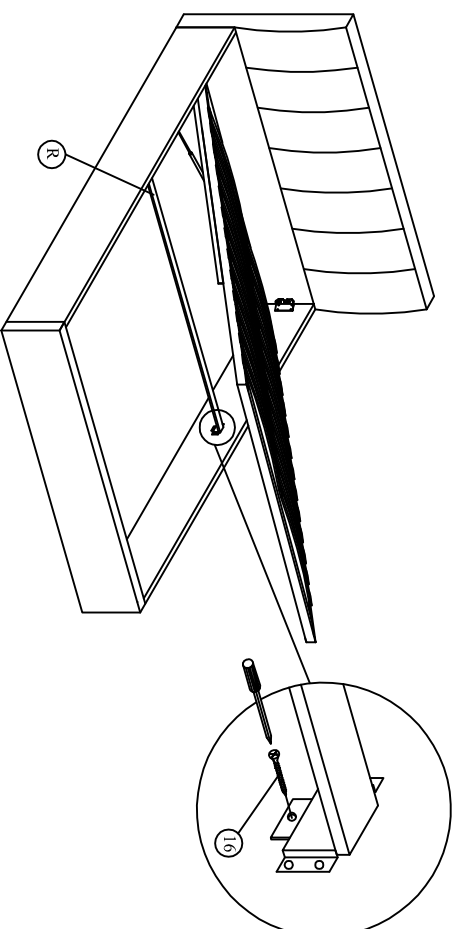
Step 12: Unscrew the Pre-attached hex-nut of gas spring and attach it back again as shown . Please fully tighten the nut.



Step 13: Assemble the main frame to the bracket and tighten all the fitting accordingly .



Step 14: Slide the stiffener slat to the side sail . Tighten screws using screw driver (not included) to the side rail .



Step 15: Assembly is complete.

