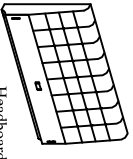



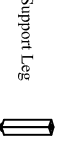
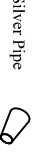
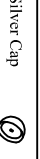






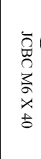

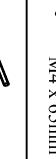
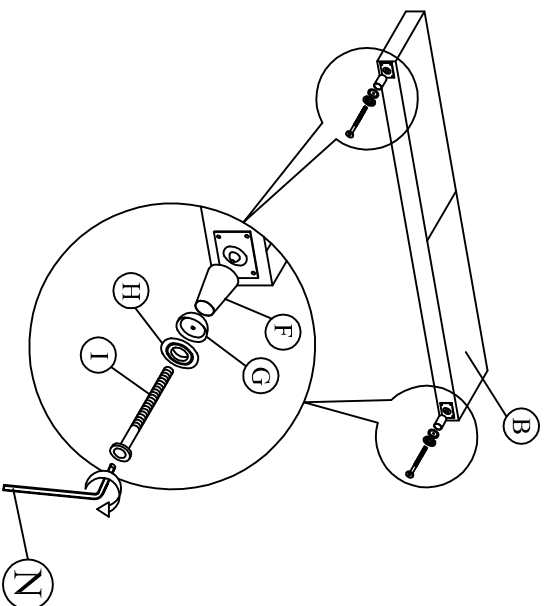


Model : CF 8283 (5')

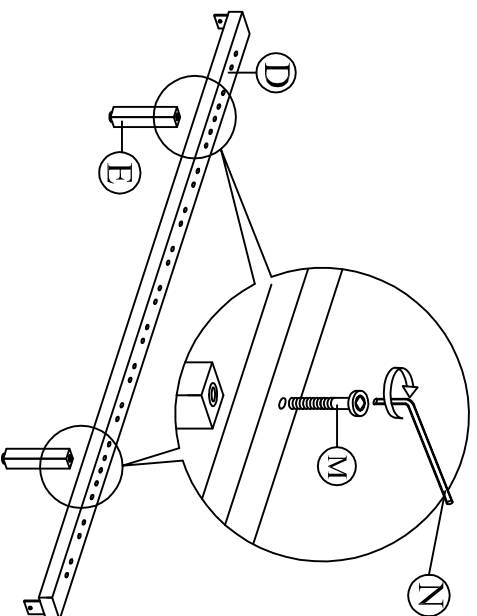
# ASSEMBLY INSTRUCTION

A		1 pc
B		1 pc
C		2 pcs
D		1 pc
E		2 pcs
F		2 pcs
G		2 pcs
H		2 pcs
I		2 pcs
J		28 pcs
K		14 pcs
L		28 pcs
M		2 pcs
N		1 pc
O		1 pc
P		2 pcs

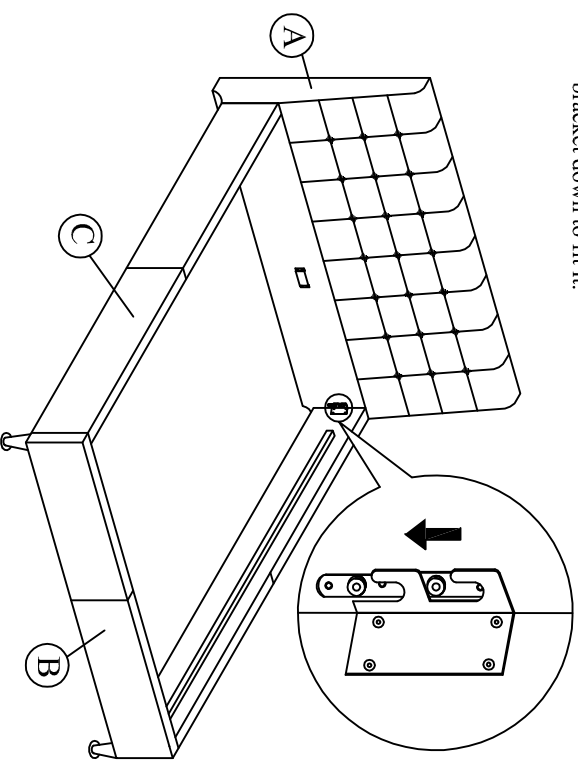
Step 1: Install the silver steel leg according to the diagram shown as below.  
Tighten the screws at footboard.



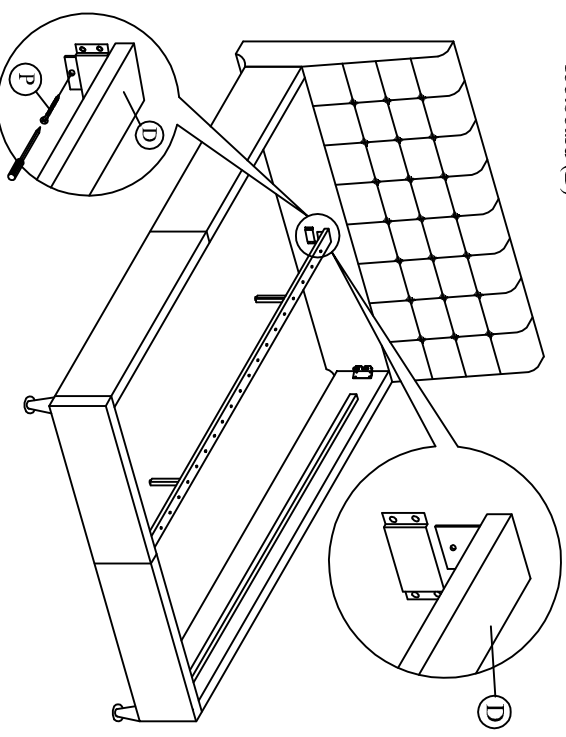
Step 3: Attach the support legs ( E ) to the center rail (D) of the bed as shown.



Step 2: Attach Side Rail (C) to Headboard (A) and Footboard (B) by pushing the bracket down to fit it.



Step 4: Slide the center rail (D) to the headboard (A) and footboard (B). Tighten screws (P) using screw driver (not included) to the headboard (A) and footboard (B)



Step 5: Tighten all the 4 corner ,follow by assembly of the slat holders with LVL slats as shown.

