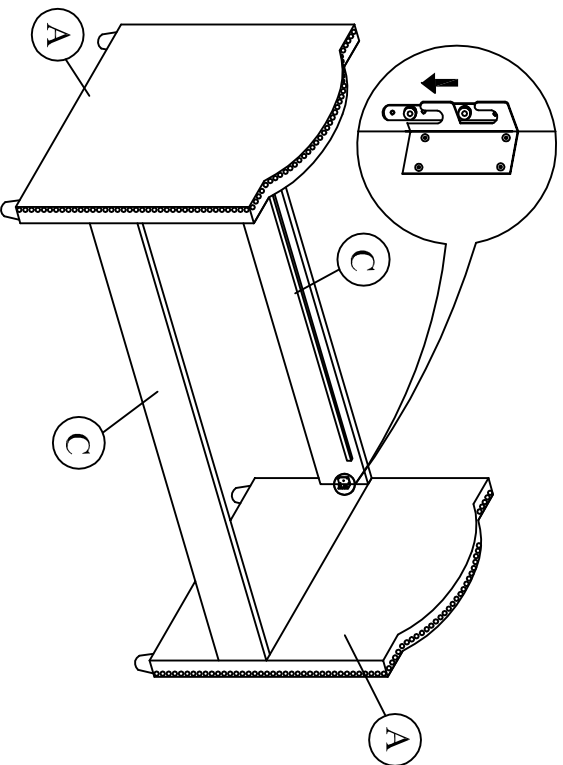


ASSEMBLY INSTRUCTION

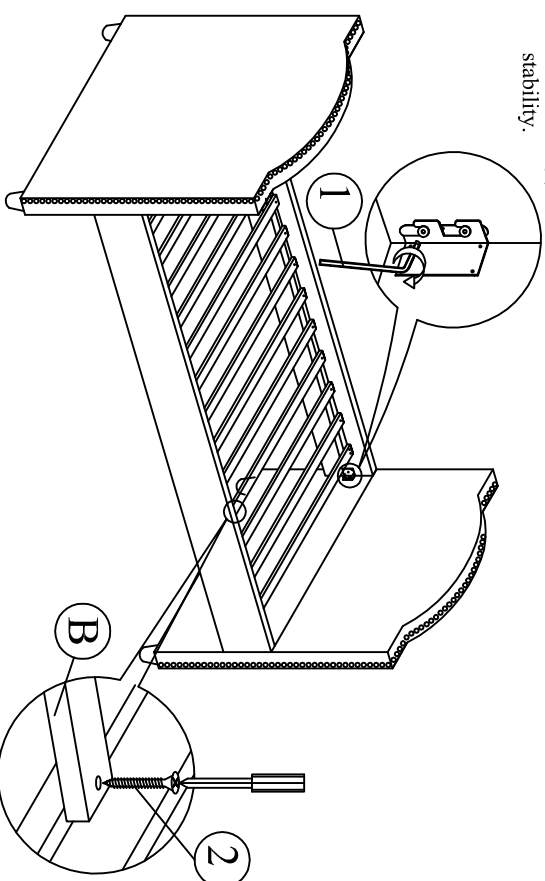
MODEL: CF 8751-B TT (3')

| | | |
|----------------------|--------------------------|--------|
| A | Arm | 2 pcs |
| B | Slat 13 Pcs | 1 pc |
| C | Side Rail | 2 pcs |
| D | Trundle Front Panel (PU) | 1 pc |
| E | Trundle Back Panel | 1 pc |
| F | Trundle Side Panel | 2 pcs |
| G | Slat 13 Pcs | 1 pc |
| Packing Hardware (1) | | |
| 1 | M5 x 70 mm | 1 pc |
| 2 | CSK M4 x 32mm | 32 pcs |
| Packing Hardware (2) | | |
| 3 | M5 x 70 mm | 1 pc |
| 4 | CSK M4 x 32 mm | 44 pcs |
| 5 | Roller With Wooden | 6 pcs |

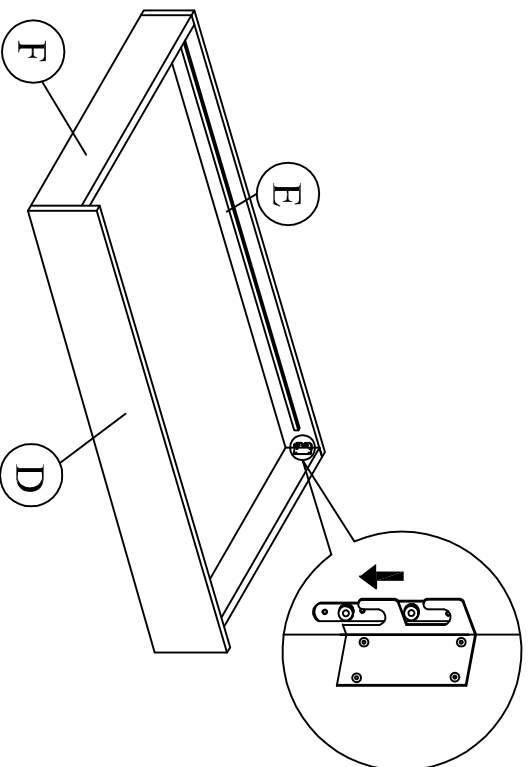
Step 1: Attach side rail (C) to arm (A) by pushing the bracket down to fit it.



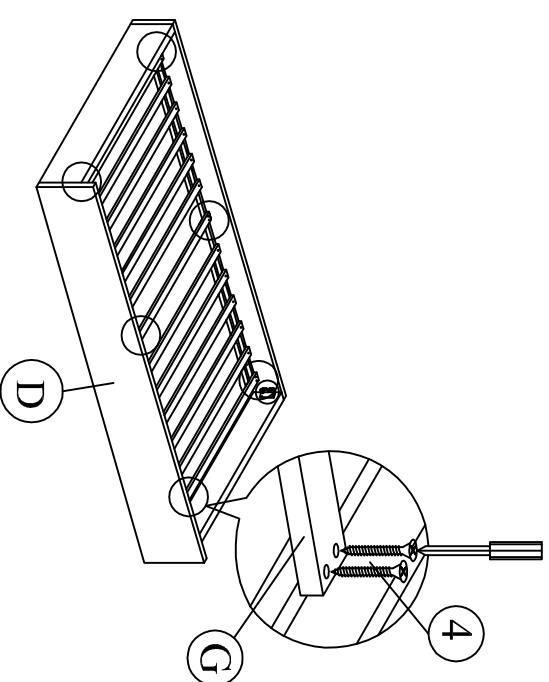
Step 2: Tighten the 4 Corner with Allen Key (1). Install the slats to side rail. Tighten the slats with CSK screw (2). The distance of the slats should be sufficient to obtain desirable bed stability.



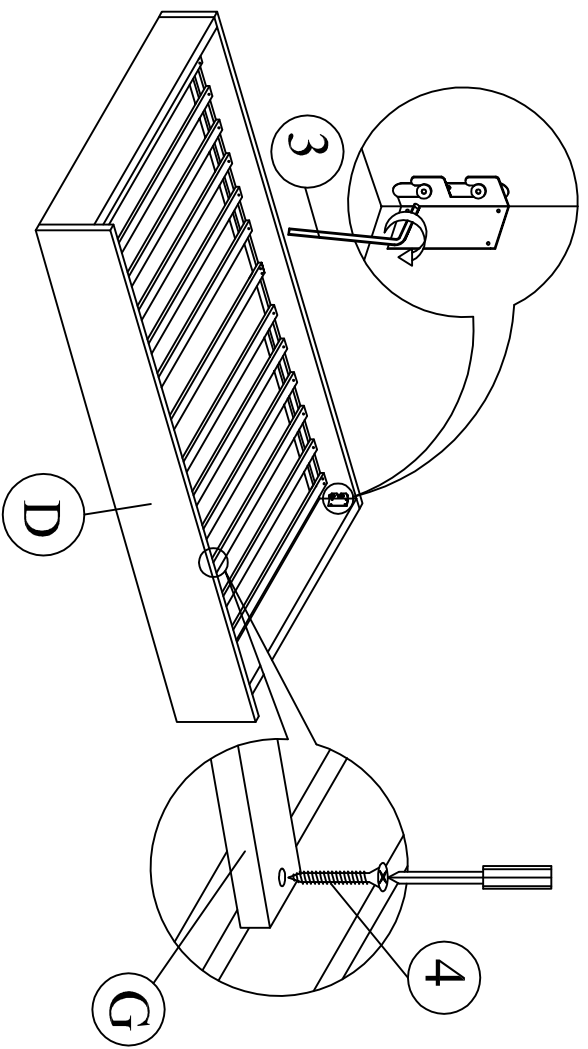
Step 3: Attach trundle side panel (F) and trundle front panel (D) to trundle back panel (E) by pushing the bracket down to fit it.



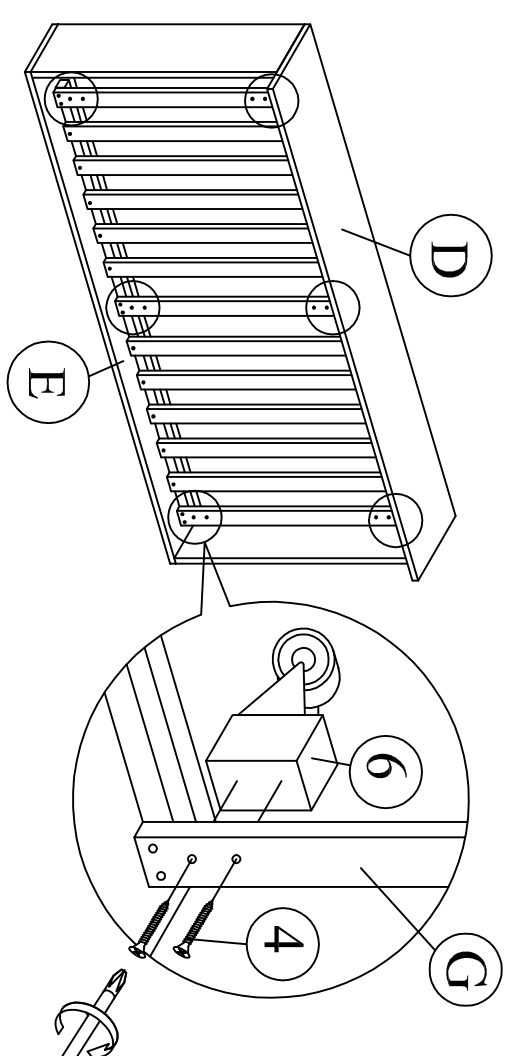
Step 4: Fix the slat (G) to the side rail at (D) & (E).



Step 5: Tighten the 4 Corner with Allen Key (3) and fix the slat (G) to the side rail at (D) & (E).



Step 5: Turn the trundle to another side as below diagram and tighten the roller with wooden (6) at the slat (G).



Step 6: Assembly is complete

